

为您精心提供 **360°** 完美旋转解决方案
providing solution to 360 degree rotation wiring



产品选型手册

Product Selection Manual



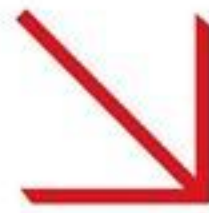
温州亚鼎电气有限公司
Wenzhou Yading Electric Co., Ltd.



ADIA 亚鼎电气

公司简介

COMPANY INTRODUCTION



温州亚鼎电气有限公司是专业从事精密导电滑环及传统导电环研发、生产、销售的高科技企业，属于温州市高新技术企业，公司坐落在“中国电器之都”乐清，北依素有“海上名山”、“寰中绝胜”之称的雁荡山，南旁风景秀美的楠溪江。所在区位铁路、公路和民航四通八达，紧靠104国道和甬台温高速，毗邻温州永强机场、乐清火车站、瓯江万吨级港口，交通便利，环境优美。

公司具有雄厚的研发实力、一流的生产设备及高科技的加工工艺，与国内著名的科研院所有着长期而广泛的合作，公司生产的精密导电滑环广泛应用于安防、包装机械、风力发电、电缆卷筒、机器人、旋转门、单晶炉设备、医疗机械、航空等民用和军用领域。长期为国内外众多知名厂家、科研院所、军工单位提供优质产品和技术服务。

公司已通过各项认证及ISO9001:2008国际质量管理体系及ISO14001:2004环境管理体系认证。产品覆盖全国三十来个省（自治区），并在国外设有十多个销售机构，产品出口世界50多个国家。本公司始终“以质量求生存、以信誉求发展”为原则，“诚信立业、以德经商、名牌兴业”为宗旨，竭诚为各位新老用户服务，共同携手合作。



YADING ELECTRIC

COMPANY INTRODUCTION

Wenzhou YADING electric co., ltd. is a professional engaged in precision conducting slip rings and lever, development, production and sales of high-tech enterprises, belonging to the wenzhou city high-tech enterprises, the company is located in "China electric capital of yueqing, in the north, known as" sea mountains ", "atlas of never win," said the yandang mountain, near the south beautiful. Of naxi river nowadays Convenient location where the railways, highways and civil aviation, close to 104 national highway and ningbo-taizhou-wenzhou expressway, adjacent to wenzhou permanent strong port, airport, yueqing railway station, oujiang capacity of convenient transportation, beautiful environment.

Company has strong research and development strength, first-class production equipment and high-tech processing technology, with the domestic famous scientific research institutes have a long-term and extensive cooperation, the company production of precision conducting slip rings are widely used in security, factory automation, electrical, instrumentation, medical, aerospace and other civil and military fields. Long-term for domestic and foreign many well-known manufacturers and research institutes, military units to provide products and technical services, can not only provide general conductive slip ring, can also provide custom multi-channel, high voltage, high current, high speed, high frequency, and integrating electricity and steam fluid, optical fiber communication complex combination of slip ring.

The company has passed the certification and ISO9001:2008 international quality management system and ISO14001:2004 environmental management system certification. Products covering the whole country 30 provinces (autonomous regions), and abroad has more than ten sales organizations, products are exported to more than 50 countries in the world. The company has always been "to the quality strives for the survival, to the credibility of development" for the principle, "sincerity, good for the Business, the brand societe generale "as the objective, wholeheartedly serve the new and old users, to cooperate together.



智领起航 众成卓越

Intelligence led set sail The into superior



ADIA 亚鼎电气

YADING ELECTRIC

COMPANY INTRODUCTION

亚鼎电气 创新进取
质量为先 顾客为首

标准化、模块化设计
高抗震强度、超长使用寿命
为您打造高精密产品



Contents目录

传统集电环系列	01
TRADITIONAL SLIP RING	
精密型集电环系列 THROUGH-BORE SLIP RING	16
SRH1254 系列导电滑环	18
SRH2578 系列导电滑环	20
SRH3899 系列导电滑环	21
SRH50120 系列导电滑环	22
SRH60135 系列导电滑环	23
SRH70155 系列导电滑环	24
SRH80180 系列导电滑环	25
SRH90190 系列导电滑环	26
SRH100203 系列导电滑环	27
SRC帽型滑环 CAPSULESLIP RING	29
SRC 012 系列帽型滑环	30
SRC 012C 系列帽型滑环	30
SRC 018 系列帽型滑环	30
SRC 022 系列帽型滑环	31
SRC 022C 系列帽型滑环	31
SRC 025 系列帽型滑环	32
风力发电专用滑环 WIND ENERGY SLIP RING	
SRFW帽型小风电滑环	33
SRFK中小风电滑环	34
SRFW大风电滑环	35
农用机械滑环 AGRICULTURAL MACHINER SLIP RING	36
SRS45H94184-6T抓棉机滑环 PLUCKER SLIP RING	37
整体式滑环 INTEGRAL SLIP RING	38
气(液)电组合滑环系列 PNEUMATIC/HYDRALIC HYBRIC SLIP RING	39
FORJ光钎滑环系列 FORJ FIBRE OPTIC ROTATING JOINT	40
SHFRJ高频滑环 SHFRJ HIGH-FREQUENCY SLIP RING	41
盘式导电滑环 PANCAKE SLIPRING	42
水银滑环 MERCURY SLIP RING	43
ZS中心集电器 ZS COLLECTOR RINGS	46
SRN特殊滑环系列 CUSTOMERIZED SLIP RING	48
工程机械滑环 ENGINEERING MACHINERY SLIP RING	49
电线电缆设备滑环系列 WIRE/CABLE SLIP RING	50
碳刷架系列 BRUSH HOLDER	51
电刷系列 CARBON BRUSH	58
包装机配件系列 PACKING MACHINE ACCESSORIES	61
铜编织线系列 BRAIDED COPPER WIRE	66



ADIA 亚鼎电气

传统集电环系列

TRADITIONAL SLIP RING SERIES



集电环概述 General Introduction

集电环系列同步电机和异步电动机等采用集电环的电机，比较广泛地用于产业部门，而且，多数是在各种苛刻条件下运行的。这些电机虽然没有直流电机那样的换向作用，但与换向器一样，也出现集电环或电刷的异常磨损，电刷振动以及产生火花等弊病。特别从电刷材质来看，集电环用电刷不仅使用石墨电刷，而且为了提高电刷的电流密度，有时也使用金属石墨电刷，所以，还必须考虑异常残余膨胀等因素。即使对于汽轮发电机那样的高速电机或在全封闭气体介质和氢气介质中运行的电机，问题也不少。

集电环的材质要求机械强度大，并是电的良好导体，还要具有耐腐蚀性，在与电刷滑动接触时，必须具备耐磨性和稳定的滑动接触特性。一般，钢质集电环的耐磨性好，机械强度大，因此大多用于因极性引起集电环磨损差较大的同步电机上。

Collector ring series of synchronous and asynchronous motor by using the set ring of electric motor, widely used in industrial department, and, most are operating in the harsh conditions under various. These motors although no reversing effect of DC motor commutator that, but as also appears abnormal wear brush vibration collector ring or brush and sparks ills. Especially from the brush material, collector ring brush not only the use of graphite brush, and in order to improve the current density of the brush, sometimes the use of metal graphite brush, so must also consider the factors of abnormal residual expansion. Even the high-speed motor for turbo generator that or running in full closed gas medium and hydrogen medium motor, many questions.

The collector ring material requirements of high mechanical strength, and is a good conductor of electricity, but also has corrosion resistance, in sliding contact with the electric brush sliding contact, must have the characteristics of wear resistance and stability. Generally, the wear resistance of the steel set electric ring, high mechanical strength and therefore are mostly used for collecting ring wear synchronous motor on the larger caused by polarity.

集电环应用 Application

钢质集电环的耐磨性好，机械强度大，因此大多用于因极性引起集电环磨损差较大的同步电机上。钢可以加工成复杂的结构，它是一种容易得到而又价廉物美的材料，所以，广泛用于包括圆周速度较低的水轮发电机在内的同步电机。对于像汽轮发电机那样，主要强调高圆周速度下机械强度和耐磨性的集电环，有时也使用锻钢。另外，要求耐腐蚀性时，可使用不锈钢，但不锈钢的滑动特性不稳定，与电刷组合不合适往往使电刷产生跳动，容易造成电刷升温过高或异常磨损，所以使用时必须倍加注意。青铜铸件等铜质集电环与钢质集电环相比，它的滑动特性好，所以用途很广，但当含有大量低熔点铅时，因通电点的发热而产生脱铅现象，容易造成集电环磨损或电刷异常磨损。

集电环与电刷的配合上，当电刷的研磨性过强而集电环的材质过软时，往往在集电环上发生相当于电刷宽度的阶梯磨损。尤其是高温低湿的全封闭式电机，更容易引起电刷或集电环的过大磨损。重象伤痕是这样形成的，一开始只有非常小的伤痕，电刷在这些部位集电不良而产生火花。一旦产生火花，伤痕就逐渐恶化扩大起来，最后形成与电刷滑动接触面的尺寸同样大小的伤痕。因而，集电环用电刷即使产生非常小的火花，也必须予以注意。

为了预防在钢质集电环上发生严重的重象伤痕，在电机长期停转时应将电刷提起。为了改善并联电刷的电流分布，可移动集电环滑动接触面的通电点。为了获得良好的滑动特性，在集电环上开螺旋状的斜槽是有效的。

The wear resistance of the steel set electric ring, high mechanical strength, therefore, are mostly used for collecting ring wear synchronous motor on the larger caused by polarity. Processed into complex structural steel can be, it is a kind of easy to get and Cheap materials, therefore, widely used in synchronous motor includes hydro generator with low speed, the circumferential. Like that for turbo generator, the main emphasis of the mechanical strength and wear resistance of high circumferential velocity

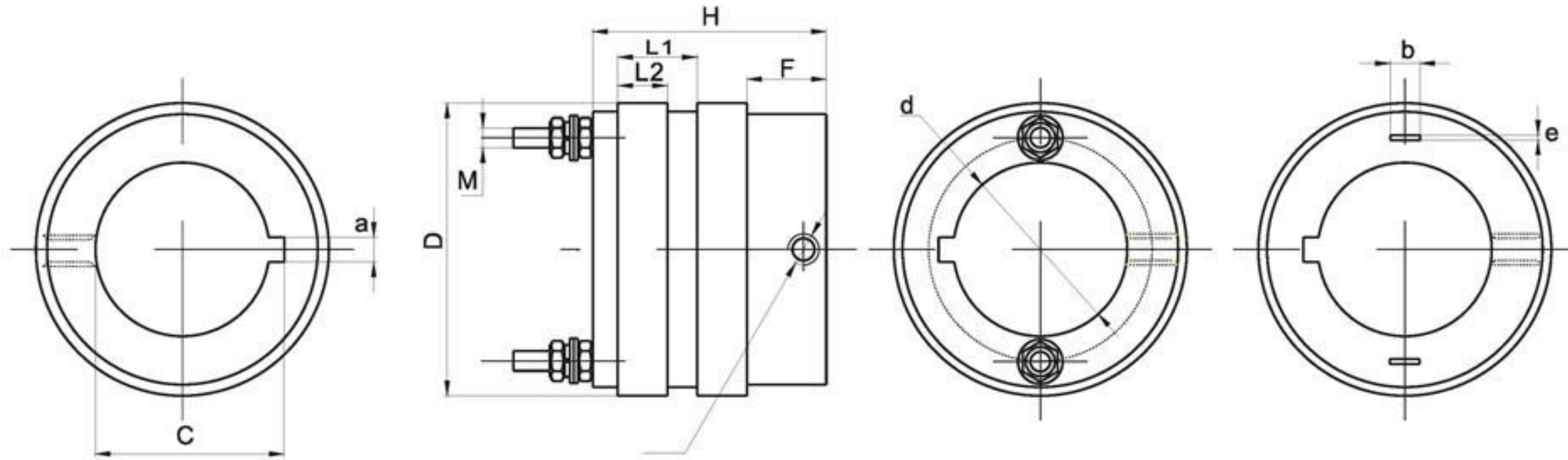
Collecting ring, sometimes the use of forged steel. In addition, corrosion resistance requirement, can use stainless steel, but the sliding properties of stainless steel is not stable, and brush combination is not suitable often make brush bouncing, easy to cause the brush Temperature is too high or abnormal wear, so when in use must pay more attention. Bronze casting copper collector ring and steel collector ring compared, its good sliding properties, so use is very broad, but when containing a large amount of low melting point lead Arising from the phenomenon of lead, because of the heat electricity point, easy to cause the collector ring wear or brush abnormal wear. With the collector ring and brush, when the abrasive brush too strong and collector ring material is too soft, often occur in the collector ring ladder is equivalent to the width of the brush wear. Especially the full closed high temperature and low humidity

Motor, more likely to cause the brush or set of large electrical wear ring too. Heavy as the scar is formed in this way, only the beginning of very small scars, brush in these parts collector adverse and spark. Once the spark, The scar will deteriorate gradually expanded, and finally the formation and brush sliding contact surface size of the same size scars. Therefore, the collector ring brush even very small spark, also must pay attention to.

In order to prevent the collector ring on the steel on the occurrence of serious weight like scars, stop the rotation of the motor when in long-term brush should be filed. In order to improve the current distribution of parallel brush, mobile collector ring sliding contact surface electricity point. In order to obtain a good sliding properties, open spiral in the collector ring flume is effective.

2环系列集电环 Two-Ring Slip Ring

产品外形尺寸图 Outline Dimension

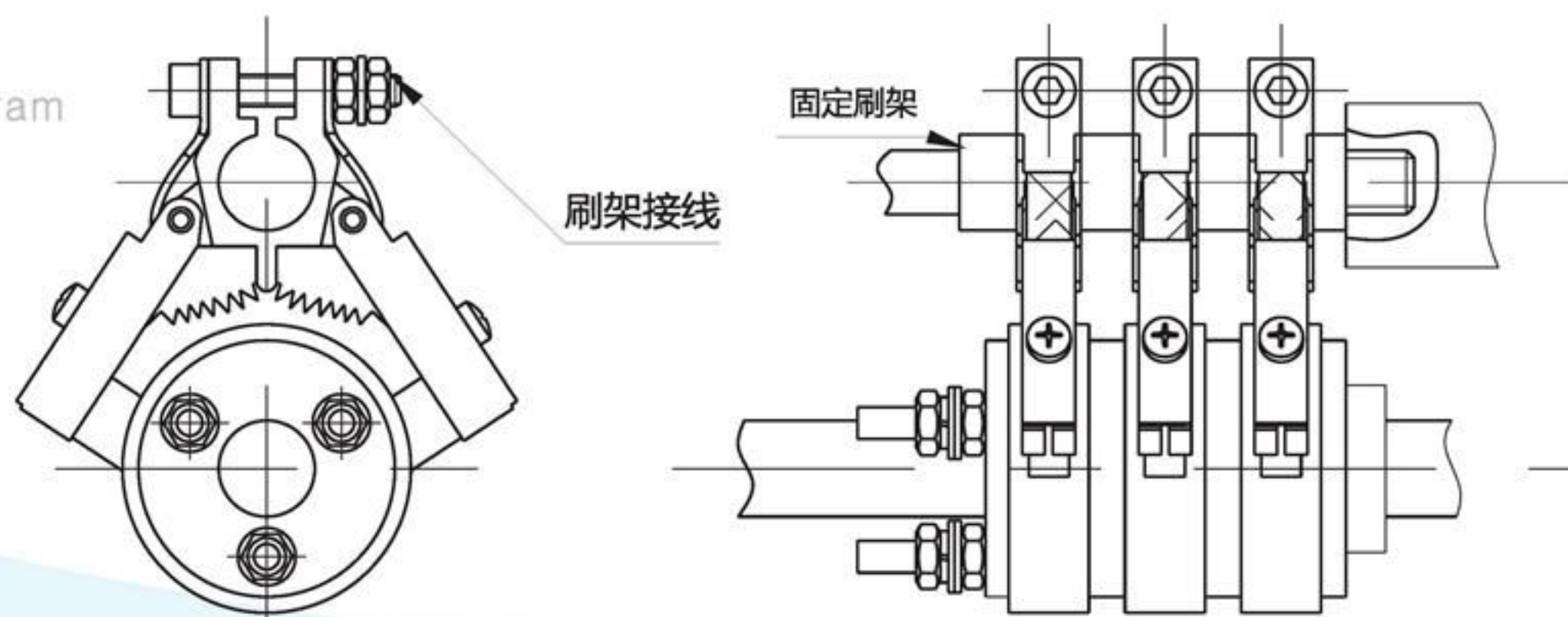


产品规格 Product Specifications

Model	d	D	H	L2	L1	M	F	b	e	a	C	M1
SRS153030-2N	15	30	30	10.0	12	φ2	3	/	/	/	/	/
SRS154565-2T	15	45	65	16.0	20	M4	20	/	/	/	/	/
SRS163029-2N	16	30	29	10.5	14	φ2	2	/	/	/	/	/
SRS17K4528-2T	17	45	28	8.0	13	M4	3	/	/	5	20	/
SRS17H5034-2T	17	50	34	7.0	12	M4	10	/	/	/	/	2-M5
SRS17H6045-2T	17	60	45	9.5	16	M4	16	/	/	/	/	2-M6
SRS18KH5034-2T	18	50	34	9.5	16	M4	16	/	/	6	21	2-M6
SRS18KH6045-2T	18	60	45	9.5	16	M4	16	/	/	6	21	2-M6
SRS20H5034-2T	20	50	34	7.0	12	M4	10	/	/	/	/	2-M5
SRS20H5834-2T	20	58	34	9.5	16	M4	6	/	/	6	23	/
SRS20K6034-2T	20	60	34	9.5	16	M4	6	/	/	6	23	/
SRS20KH6045-2T	20	60	45	9.5	16	M4	16	/	/	6	23	2-M8
SRS254565-2T	25	45	65	16.0	20	M4	20	/	/	/	/	/
SRS25K6034-2T	25	60	34	9.0	16	M4	5	/	/	8	29	/
SRS25K7040-2S	25	70	40	9.0	16	/	8	8	2	8	29	/
SRS26K8050-2T	26	80	50	12.0	22	M5	6	/	/	8	29.8	/
SRS28K6045-2T	28	60	45	9.0	16	M4	16	/	/	8	32	/
SRS306034-2T	30	60	34	9.5	16	M4	6	/	/	/	/	/
SRS30K7040-2S	30	70	40	9.0	16	/	7	8	2	8	34	/
SRS35K7950-2S	35	79	50	12.0	23	/	8	10	2	10	40	/
SRS40K7040-2S	40	70	40	9.0	16	/	8	8	2	8	44	/
SRS408050-2NS	40	80	50	10.0	32	5	7	10	2	/	/	/
SRS409038-2T	40	90	38	9.0	14	M4	8	/	/	/	/	/
SRS40H7841-2N	40	78	41	9.0	13	4	4	/	/	/	/	2-M6
SRS428048-2T	42	80	48	11.0	21	M4	11	/	/	/	/	/
SRS4410844-2T	44	108	44	9.0	12	M4	3	/	/	/	/	/
SRS509038-2T	50	90	38	9.0	14	M4	8	/	/	/	/	/
SRS5010050-2T	50	100	50	13.0	24	M6	5	/	/	/	/	/
SRS5010850-2T	50	108	50	10.0	22	M6	8	/	/	/	/	/

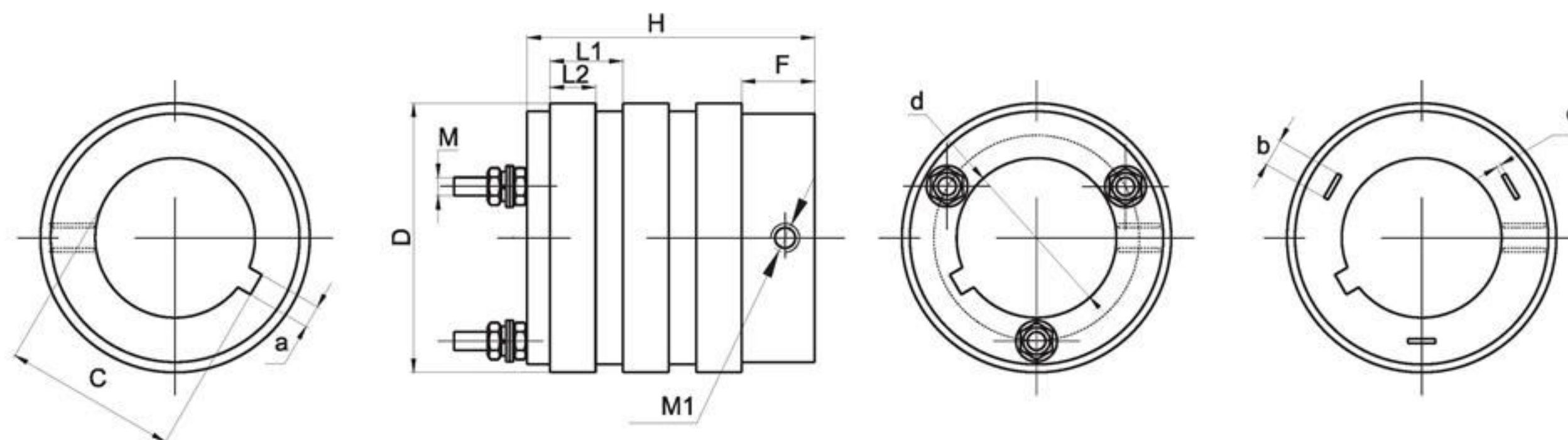
产品安装示意图

Installation Schematic Diagram



3环系列集电环 Three-Ring Slip Ring

产品外形尺寸图 Outline Dimension



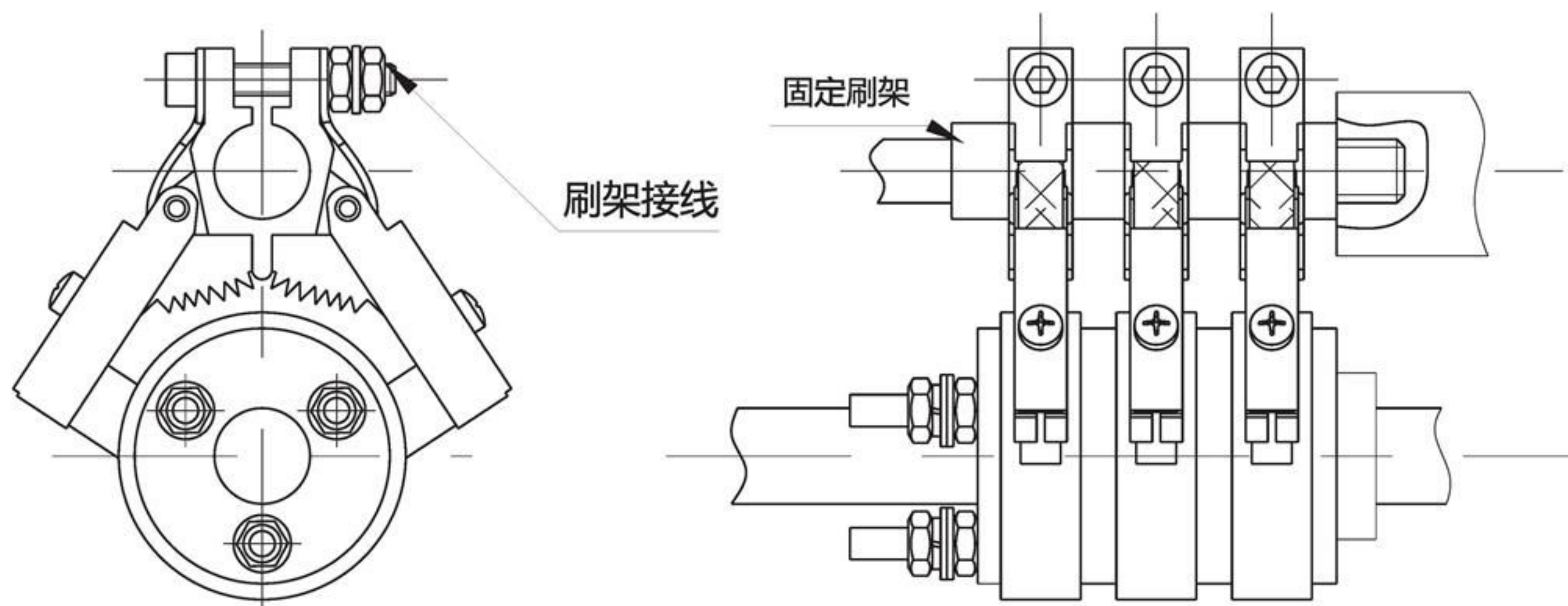
产品规格 Product Specifications

Model	d	D	H	L2	L1	M	F	b	e	a	C	M1
SRS83044-3N	8	30	44	2.0	15	∅2	2	/	/	/	/	/
SRS123645-3T	12	36	45	10.0	15	M4	2	/	/	/	/	/
SRS183542-3N	18	35	42	8.0	13	∅2	4	/	/	/	/	/
SRS203840-3N	20	38	40	10.0	14	∅2	2	/	/	/	/	/
SRS20K3845-3T	20	38	45	10.0	16	M4	5	/	/	6	23	/
SRS255454-3T	25	54	54	10.0	16	M4	5	/	/	/	/	/
SRS25K7570-3S	25	75	70	12.0	22	/	6	10	2	8	29	/
SRS28K6874-3S	28	68	74	17.5	23	/	6	10	2	5	31	/
SRS32K7745-3T	32	77	45	8.0	12	M4	4	/	/	/	/	/
SRS33.5K12947-3T	33.5	129	47	8.0	12	M4	3	/	/	8	37.5	/
SRS35K5445-3W	35	54	45	10.0	15	2平方线	4	/	/	6	38	/
SRS356059-3T	35	60	59	9.0	15	M4	5	/	/	/	/	/
SRS35F7049-3N	35	70	49	铁芯9	12/8	3	12	/	/	/	/	/
SRS35K8371-3T	35	83	71	10.0	18	M4	3	/	/	8	37.5	/
SRS40K6270-3N	40	62	70	14.0	24	∅2.5	4	/	/	/	/	/
SRS40K8090-3S	40	80	90	12.0	25	/	18	10	2	10	44	/
SRS40K9038-3T	40	90	38	8.0	11	M4	4	/	/	7	44.5	/
SRS417737-3T	41	77	37	8.0	12	M4	3	/	/	/	/	/
SRS427060-3S	42	70	60	11.0	20	/	5	5	2	/	/	/
SRS45H6761-3S	45	67	61	10.0	20	/	/	5	2	/	/	2-M6
SRS4513945-3T	45	129	45	8.0	12	M4	4	/	/	/	/	/
SRS45K7570-3S	45	75	70	12.0	22	/	7	10	2	10	49	/
SRS45K7869-3S	45	78	69	12.0	21.5	/	7	10	2	10	49	/
SRS5012954-3T	50	129	54	8.0	12	M4	4	/	/	/	/	/
SRS507047-3S	50	70	47	9.0	12.5	/	7	5	2	/	/	/
SRS50K9077-3S	50	90	77	15.0	27	/	5	14	2	10	55	/
SRS50K90110-3T	50	90	110	8.0	12	M4	30	/	/	8	54	/
SRS52K9276-3S	52	92	76	14.0	27	/	3.5	14	2.5	10	4	/
SRS5410840-3W	54	108	40	7.5	11.5	线	3	/	/	/	/	/
SRS55K10090-3S	55	100	90	13.5/9	26	/	10	14	2	10	4.5	/
SRS2713054-3N	57	130	115	12.0	30	6	21	/	/	/	/	/

Model	d	D	H	L2	L1	M	F	b	e	a	C	M1
SRS6013054-3T	60	130	54	8.0	12	M4	/	/	/	/	/	/
SRS60107100-3S	60	107	100	14.0	34	/	/	10	2	/	/	/
SRS6010866-3T	60	108	66	8.0	14	M4	4	/	/	/	/	/
SRS60K10885-3S	60	108	85	15.0	25	/	8	12	2	12	65	/
SRS6011572-3T	60	115	72	10.0	19	M4	15	/	/	/	/	/
SRS6012043-3T	60	120	43	9.0	3	M4	3	/	/	/	/	/
SRS60138125-3S	60	138	125	18.0	36	/	11	20	3	/	/	/
SRS60138125-3S	63	108	43	10.0	13	M4	37	/	/	/	/	/
SRS6310843-3T	63	120	76	10.0	20	/	10	14	2.5	14	68.5	/
SRS65K12076-3S	65	108	100	13.6	30	/	10	14	2.5	14	3.5	/
SRS65K110100-3S	65	110	100	14.0	28	/	11	16	2.5	14	5	/
SRS7012043-3T	70	120	43	10.0	13	M4	3	/	/	/	/	/
SRS70K120100-3S	70	120	100	19.0	31	/	11	20	2	10	74	/
SRS70H10875-3N	70	108	75	10.0	20	4	8	/	/	/	/	2-M8
SRS75K125110-3S	75	125	110	15.0	31	/	9	14	2	14	79	/
SRS75140124-3S	75	140	124	18.0	36	/	11	20	3	/	/	/
SRS84K130100-3S	84	130	100	20.0	32	/	9	15	2	12	88.5	/
SRS85K125127-3S	85	125	127	18.0	36	/	10.5	6	2	6	101	/
SRS85K137125-3S	85	137	125	18.0	36	/	16	16	2	18	91	/
SRS90K160140-3S	90	160	140	20.0	40	/	15	20	2	18	97	/
SRS100K180140-3S	100	180	140	22.0	42	/	20	20	2	14	105.5	/
SRS23029572-3N	230	295	72	10.0	16	5	22	/	/	/	/	/

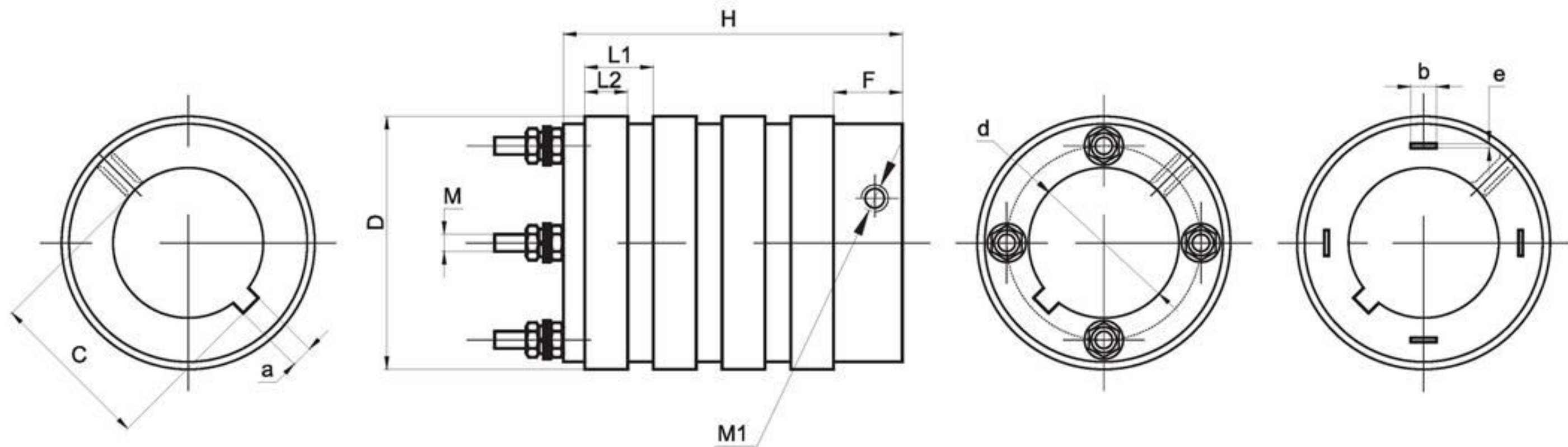
产品安装示意图

Installation Schematic Diagram



4环系列集电环 Four-Ring Slip Ring

产品外形尺寸图 Outline Dimension



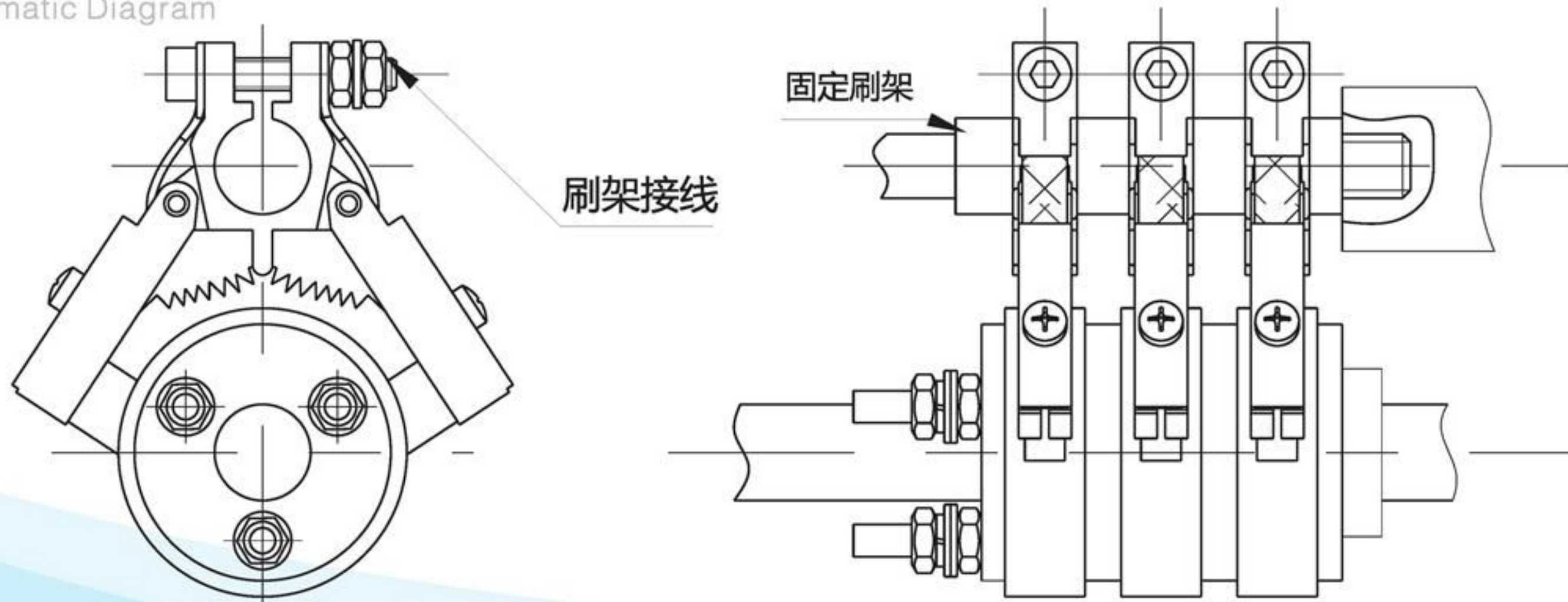
产品规格 Product Specifications

Model	d	D	H	L2	L1	M	F	b	e	a	C	M1
SRS17K5055-4T	17	50	55	8.0	13	M4	4	/	/	5	20	/
SRS17H5058-4T	17	50	58	7.0	13	M4	10	/	/	/	/	2-M5
SRS175064-4N	17	50	64	9.0	16	5	2	/	/	/	/	/
SRS17KH6075-4T	17	60	75	9.0	16	M4	16	/	/	6	20	2-M6
SRS18KH5060-4T	18	50	60	7.0	13	M4	10	/	/	6	21	2-M5
SRS20K5056-4T	20	50	56	7.0	12.5	M4	10	/	/	6	23	/
SRS20H5059-4T	20	50	59	7.0	12.5	M4	10	/	/	/	/	2-M5
SRS20H5058-4N	20	54	58	3.7/8.6	/	4/3	/	/	/	/	/	2-M5
SRS20H5573-4T	20	55	73	10.0	14	M4	15	/	/	/	/	2-M6
SRS20KH6066-4T	20	60	66	9.0	16	M4	6	/	/	8	24	4-M4
SRS206565-4N	20	65	65	10.0	15	5	5	/	/	/	/	/
SRS25H5059-4T	25	50	59	7.0	12.5	M4	10	/	/	/	/	2-M5
SRS25H5458-4T	25	54	58	8.6/3.7	/	M4/M3	/	/	/	/	/	2-M5
SRS25H5474-4T	25	54	74	10.0	14	M4	15	/	/	/	/	2-M6
SRS206066-4T	20	60	66	9.0	16	M4	6	/	/	/	/	/
SRS25K6075-4T	25	60	75	9.0	16	M4	14	/	/	8	29	/
SRS2565102-4T	25	65	102	8.0	13	M4	21	/	/	/	/	/
SRS25H6775-4T	25	67	75	10.0	15	M4	16	/	/	/	/	2-M6
SRS25K7090-4S	25	70	90	9.0	16	/	21	8	2	8	29	/
SRS25K7090-4T	25	70	96	10.0	21.5	M4	12	/	/	8	29	2-M8
SRS26K7994-4T	26	79	94	12.0	22	M5	6	/	/	8	31.8	/
SRS28H6066-4T	28	60	66	9.0	16	M4	6	/	/	/	/	4-M4
SRS30H5574-4T	30	55	74	10.0	14	M4	15	/	/	/	/	2-M6
SRS306066-4T	30	60	66	9.0	16	M4	5	/	/	/	/	/
SRS30H6075-4T	30	60	75	9.0	16	M4	14	/	/	/	/	2-M8
SRS30K8080-4N	30	80	80	11.0	18	6	5	/	/	8	33.5	/
SRS326050-4N	32	60	50	8.0	12	4	3	/	/	/	/	/
SRS32H6066-4T	32	60	66	9.0	16	M4	5	/	/	/	/	4-M4
SRS32H6075-4T	32	60	75	9.0	16	M4	14	/	/	/	/	2-M8
SRS326575-4T	32	65	75	10.0	15	M4	15	/	/	/	/	/
SRS35H6080-4T	35	60	80	10.0	16	M4	16	/	/	/	/	2-M8
SRS357070-4S	35	70	70	9.0	16	/	6	8	2	8	39	/
SRS358080-4T	35	80	80	11.0	20	M4	5	/	/	/	/	/
SRS359048-4T	35	90	48	8.0	11	M4	4	/	/	/	/	/
SRS408080-4T	40	80	80	11.5	20	M4	5	/	/	/	/	/
SRS428076-4N	42	80	76	11.5	20	4	6	/	/	/	/	/
SRS4512956-4T	45	129	56	8.0	13	M4	4	/	/	/	/	/
SRS45K8090-4S	45	80	90	12.0	21	/	7	10	2	10	49	/
SRS4513067-4N	45	130	67	8.0	12	4	5	/	/	/	/	/

Model	d	D	H	L2	L1	M	F	b	e	a	C	M1
SRS45K145195-4S	45	145	195	17.0	72	/	27	15	2	12	49	/
SRS48K103120-4T	48	103	120	15.0	25	M6	10	/	/	12	6	/
SRS508090-4S	50	80	90	2.0	21	/	7	10	2	/	/	/
SRS5010075-4T	50	100	75	10.0	15	M4	5	/	/	/	/	/
SRS50100135-4S	50	130	135	15.0	33	/	10	20	3	/	/	/
SRS50140131-4N	50	140	131	16.0	29	8	15	/	/	/	/	/
SRS55K100118-4S	55	100	118	13.5/9	27	/	12	10	2	8	59	/
SRS55K120110-4S	55	120	110	13.0	27	/	9	14	2	12	5	/
SRS60K9048-4T	60	90	48	8.0	11	M4	4	/	/	8	64	/
SRS60115130-4S	60	115	130	15.0	30	/	20	10	2	/	/	/
SRS60118137-4T	60	118	137	8.0	13	M4	5	/	/	/	/	/
SRS60K120110-4T/S	60	120	110	13.0	27	M8	9	14	2	12	4	/
SRS60K120135-4T/S	60	120	138	14.5	35	M8	10	15	3	14	65	/
SRS60H130107-4S	60	130	107	10.0	15	M4	11	/	/	/	/	2-M8
SRS60160165-4S	60	160	165	20.0	40	/	22	20	3	/	/	/
SRS60K160164-4S	60	160	164	22.0	40	/	12	20	3	12	4	/
SRS64K105107-4S	64	105	107	15.0	26	/	7	12	2	12	69	/
SRS65120110-4T	65	120	110	13.0	27	M8	9	/	/	/	/	/
SRS6513037-4T	65	130	67	8.0	12	M4	5	/	/	/	/	/
SRS65162205-4S	65	162	205	18.0	40	/	/	20	3	/	/	/
SRS65164165-4S	65	164	165	18.0	40	/	22	20	3	/	/	/
SRS66185205-4S	66	185	205	24.0	52	/	14	20	3	/	/	/
SRS68188205-4S	65	188	205	24.0	52	/	20	3	/	/	/	/
SRS70H12078-4T	70	120	78	10.0	15	M4	15	/	/	/	/	2-M8
SRS7013068-4N	70	130	68	7.8	12	4	/	/	/	/	/	/
SRS70186205-4S	70	186	205	24.0	52	/	/	20	3	/	/	/
SRS758076-4N	75	80	76	11.0	20	4	6	/	/	/	/	/
SRS75120110-4S	75	120	110	13.0	27	/	9	14	2	/	/	/
SRS75K140130-4S	75	140	130	18.0	32	/	10	15	3	12	79	/
SRS75K160100-4T	75	160	100	12.0	22	M6	7	/	/	12	79	/
SRS78.5F12975-4N	78.5	129	75	铁芯8	12.5	12	4	/	/	/	/	/
SRS80H13067-4T	80	130	67	9.0	12	M4	5.5	/	/	/	/	2-M8
SRS8013089-4N	80	130	89	8.0	18	4	8	/	/	/	/	/
SRS80K132100-4T	80	132	100	8.0	18	M4	9	/	/	12	84	/
SRS80K140130-4S	80	140	130	17.5	32	/	9	15	3	12	84	/
SRS80K188205-4T	80	188	205	24.0	52	M12	14	20	3	12	4	/
SRS90K135166-4S	90	135	166	18.0	37	/	14	15	3	16	96	/
SRS90K160202-4S	90	160	202	25.0	50	/	12	20	3	18	5	/
SRS90K186205-4S	90	186	205	24.0	52	/	4	20	2	12	4	/
SRS600685245-4N	600	685	245	28.0	55	12	30	/	/	/	/	/

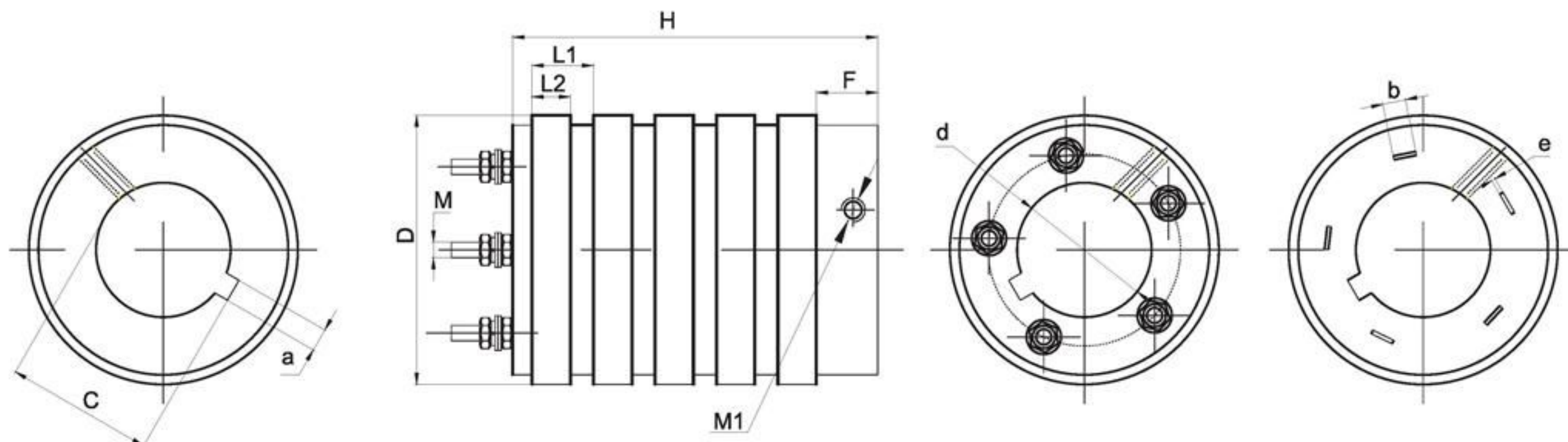
产品安装示意图

Installation Schematic Diagram



5环系列集电环 Five-Ring Slip Ring

产品外形尺寸图 Outline Dimension

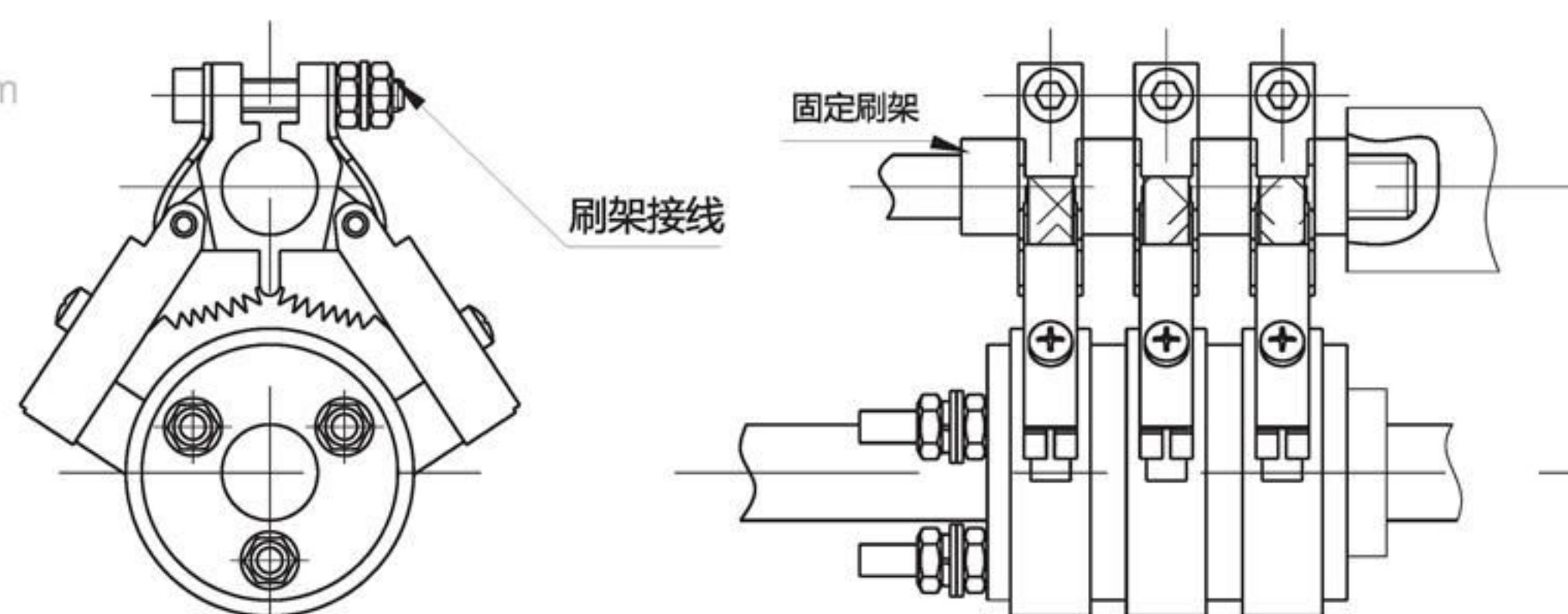


产品规格 Product Specifications

Model	d	D	H	L2	L1	M	F	b	e	a	C	M1
SRS40K80110-5S	40	80	110	10.0	22	/	6	10	2	10	42.5	/
SRS40K87110-5S	40	87	110	11.5	21.5	/	6	10	2	10	42.5	/
SRS45K88135-5S	45	88	135	11.0	21.5	/	35	10	2	10	49	/
SRS50K87110-5S	50	87	110	12.0	21.5	/	6.0	10.0	2.0	10.00	54.50	/
SRS55K87110-5S	55	87	110	11.5	21.5	/	6	10	2	10	59	/
SRS55110160-5S	55	110	130	15.0	25	/	13.0	15.0	2.0	/	/	/
SRS55K110135-5S	55	110	135	15.0	25	/	12.0	15.0	2.0	12.00	60.00	/
SRS58K9181-5T	58	91	81	9.0	13	M4	15	/	/	/	花键	/
SRS60K110130-5S	60	110	130	15.0	25	/	6	15	2	12	65	/
SRS60120138-5T	60	120	138	2.0	27	M8	10	/	/	/	/	/
SRS60120195-5S	60	120	195	15.0	25	/	11	15	3	/	/	/
SRS65K110130-5S	65	110	130	15.0	25	/	6	15	2	12	70	/
SRS65K110145-5N	65	110	145	13.5/9	30	12	M4	14	2.5	14	69	/
SRS65140160-5S	65	140	160	19.0	40	/	20	15	2	/	/	/
SRS65K160205-5S	65	160	205	18.0	40	/	20.0	20.0	3.0	12.00	70.00	/
SRS70140160-5S	70	140	160	16.5	31	/	15	2	/	/	/	/
SRS75K110100-5S	75	110	100	2.0	18	/	9	8	2	12	79	/
SRS75K140160-5S	75	140	160	16.5	31	/	14	15	2	12	80	/
SRS80K135160-5S	80	135	160	15.0	31	/	14	15	2	12	85	/
SRS80K140145-5S	80	140	145	16.0	27	/	8	15	2	12	85	/
SRS80140160-5S	80	140	160	16.5	31	/	/	15	2	/	/	/
SRS90K160250-5S	90	160	250	24.0	52	/	12	20	3	18	95	/
SRS85140105-5S	85	140	105	12.5	20.5	/	5.0	15.0	2.0	/	/	/
SRS110K165157-5S	110	165	157	14.0	29	/	25	15	2	12	115	/
SRS140K217192-5T	140	217	192	25/12	45/20	M12/M6	10	/	/	16	146	/

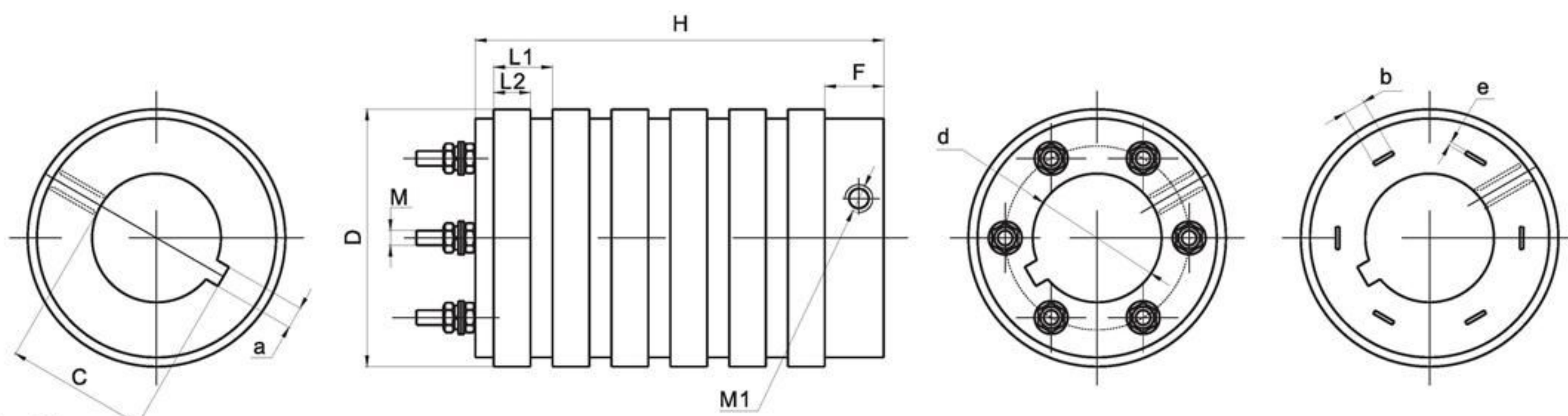
产品安装示意图

Installation Schematic Diagram



6环系列集电环 Six-Ring Slip Ring

产品外形尺寸图 Outline Dimension

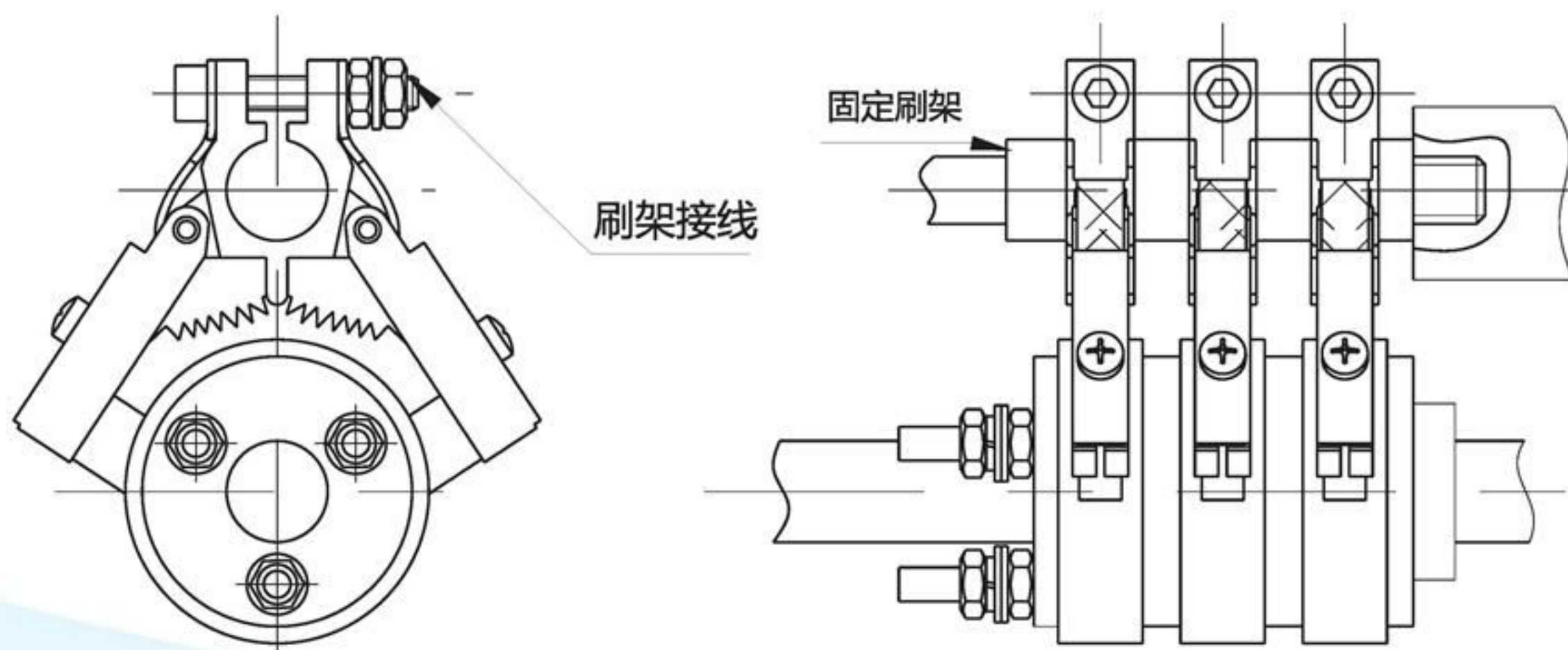


产品规格 Product Specifications

Model	d	D	H	L2	L1	M	F	b	e	a	C	M1
SRS30KH60107-6T	30	60	107	9	16	M4	12	/	/	8	34	2-M8
SRS44K12676-6T	44	126	76	8	12	M4	6	/	/	8	47	/
SRS5095105-6T	50	95	105	9	14	M4		/	/	/	/	/
SRS6012676-6T	60	126	76	7.8	12	M4	5	/	/	/	/	/
SRS75K140138-6T	75	140	138	11.5	22	M6	6	/	/	12	80	/
SRS75K158180-6T	75	158	180	10	28	M4	15	/	/	12	79	/
SRS75K160142-6T	75	160	142	12	21.5	M6	6	/	/	12	79	
SRS80K160142-6T	80	160	140	12	21.5	M6	6	/	/	12	84	/
SRS91K162140-6S	91	162	140	12	22	/	10	14	2	16	95	/
SRS60K10796-6T	60	107	96	9.0	14	M4	16	/	/	/	/	/
SRS60K12077-6T	60	120	77	8.5	411	M4	7	/	/	8	62.5	/
SRS60K120148-6T	60	120	148	15/8	30/18	M8/M6	5	/	/	14	64	/
SRS60K130120-6T	60	130	120	10.0	15	M4	7	/	/	10	65	/
SRS195H255117-6N	195	255	117	10.0	16	4	21	/	/	/	/	2-M8

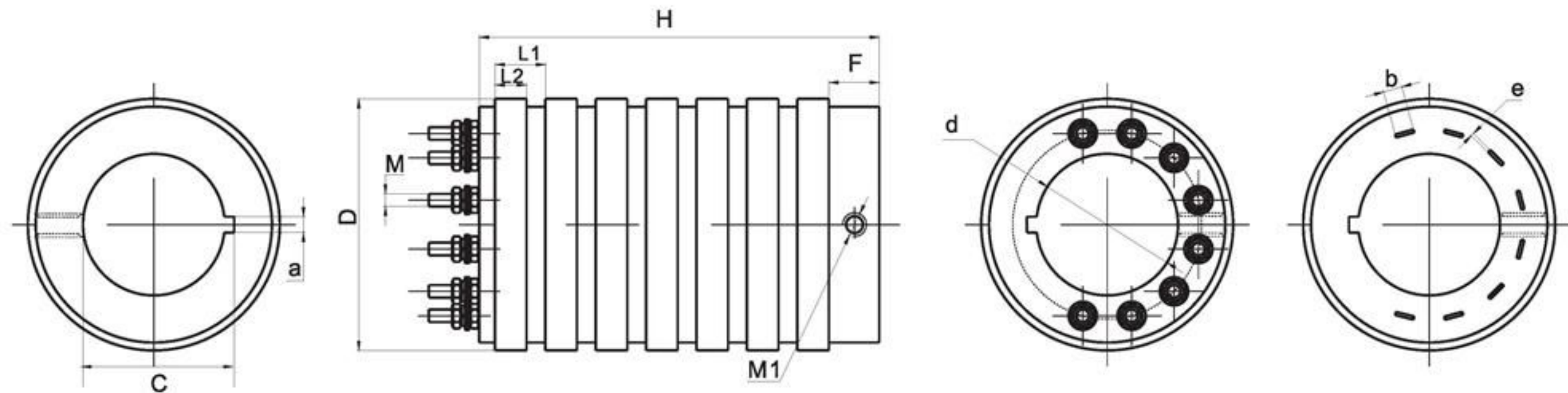
产品安装示意图

Installation Schematic Diagram



7环系列集电环 Seven-Ring Slip Ring

产品外形尺寸图 Outline Dimension

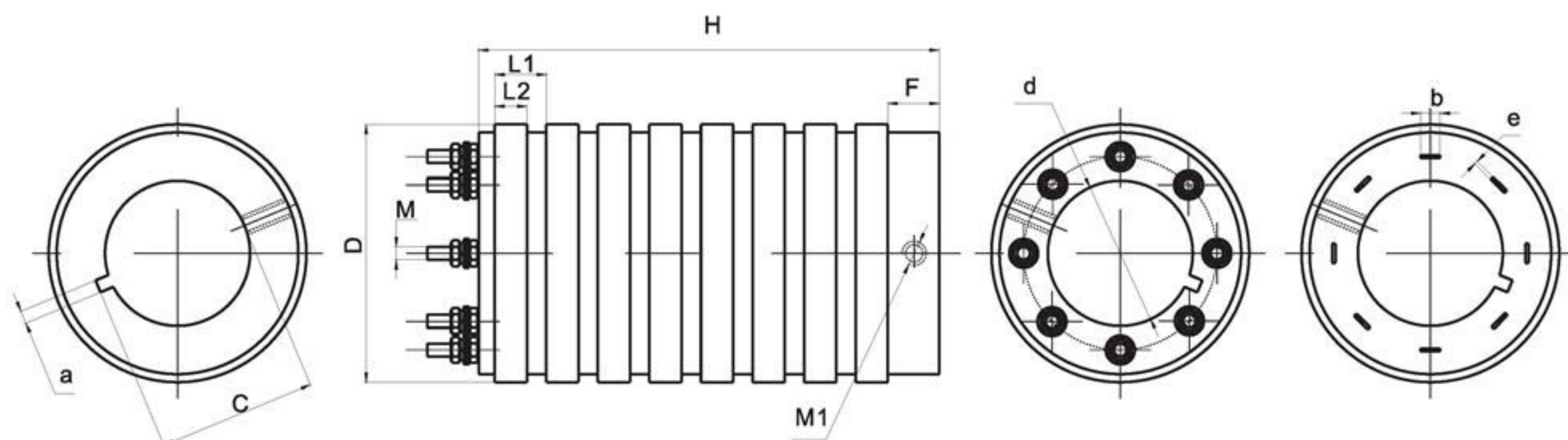


产品规格 Product Specifications

Model	d	D	H	L2	L1	M	F	b	e	a	C	M1
SRS4072129-7T	40	72	129	9.0	16	M4	16	/	/	/	/	/
SRS40100103-7T	40	100	103	8.0	13	M4	16	/	/	/	/	/
SRS50K100103-7T	50	100	103	8.0	13	M4	16	/	/	12	4	/
SRS50K95175-7S	50	95	172	14.0	24		5	10	2	12	55	/
SRS64K112170-7T	64	111.5	170	14.0	23	M6	7	/	/	12	69	/
SRS	70	110		14.0	30	/	10	14	2	12	54	/

8环系列集电环 Eight-Ring Slip Ring

产品外形尺寸图 Outline Dimension

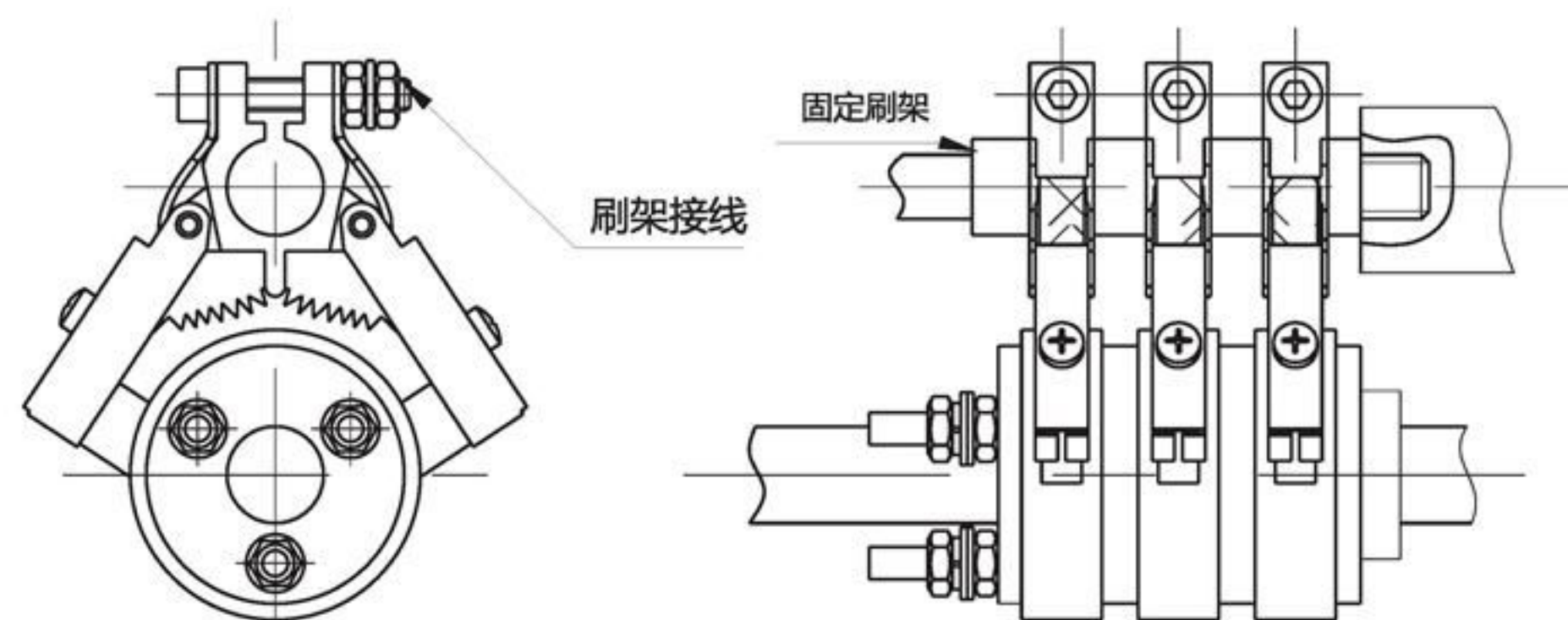


产品规格 Product Specifications

Model	d	D	H	L2	L1	M	F	b	e	a	C	M1
SRS2570125-8T	25	70	125	8	13	M4	18	/	/	/	/	/
SRS2570140-8T	25	70	140	8/5	12/8	M4	37	/	/	/	/	/
SRS38K70124-8T	38	70	124	8.0	13	M4	18	/	/	8	12	/
SRS50100117-8T	50	100	117	8.0	13	M4	16	/	/	/	/	/
SRS60K107117-8T	60	107	117	9.0	14	M4	10	/	/	12	64	/
SRS70K140228-8S	70	140	228	17	28	/	8	15	2	20	75	/
SRS75K140186-8T	75	140	183	12.0	22	M6	10	/	/	12	81	/
SRS90K140170-8T	90	140	170	10	18	M5	8	/	/	12	93.5	/
SRS190255117-8T	190	255	117	10.0		M4	21	/	/	/	/	/

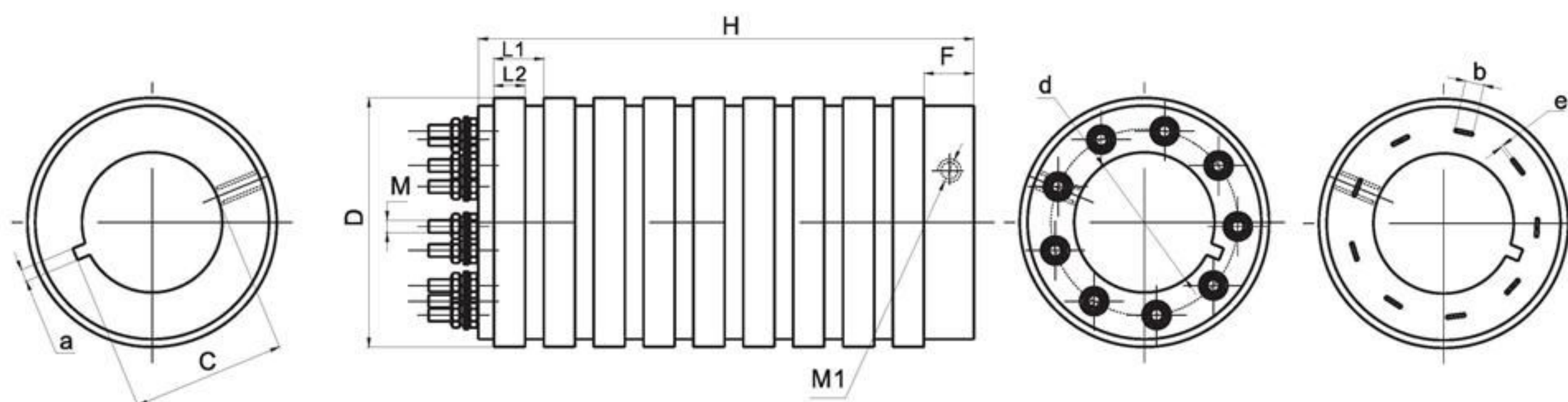
产品安装示意图

Installation Schematic Diagram



9环系列集电环 Nine-Ring Slip Ring

产品外形尺寸图 Outline Dimension

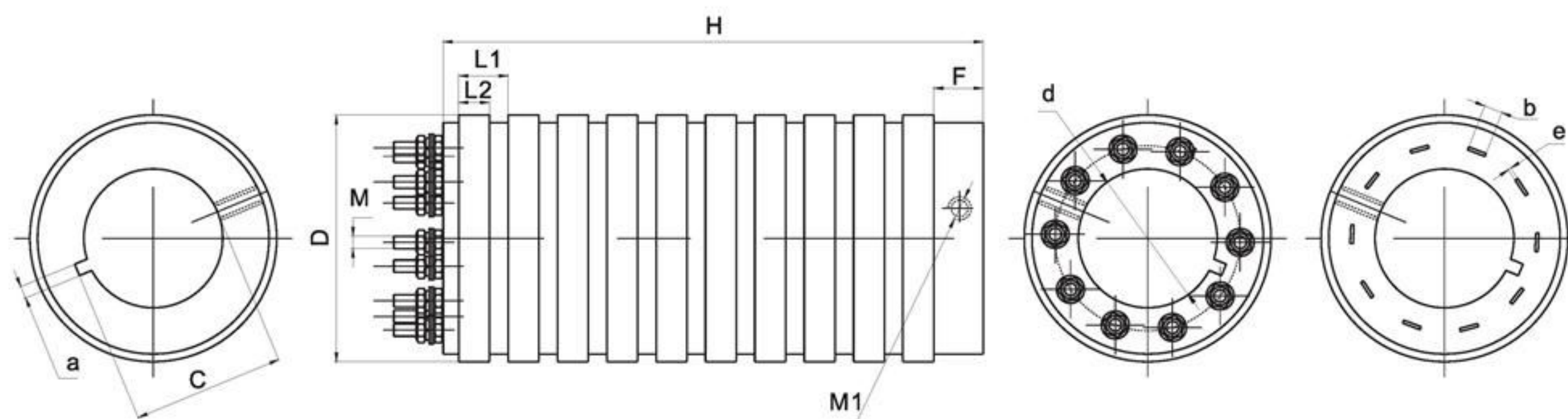


产品规格 Product Specifications

Model	d	D	H	L2	L1	M	F	b	e	a	C	M1
SRS40K100135-9T	40	100	135	13	13	M4	16	/	/	7	45	/
SRS46K95123-9T	46	95	123	17/9	17/9	M4	8	/	/	12	51	/
SRS60165162-9T	60	165	162	21	21	M6	6	/	/	/	/	/
SRS34K70153-9T	34	70	153	17	17	M4	4	/	/	10	38	/

10环系列集电环 Ten-Ring Slip Ring

产品外形尺寸图 Outline Dimension

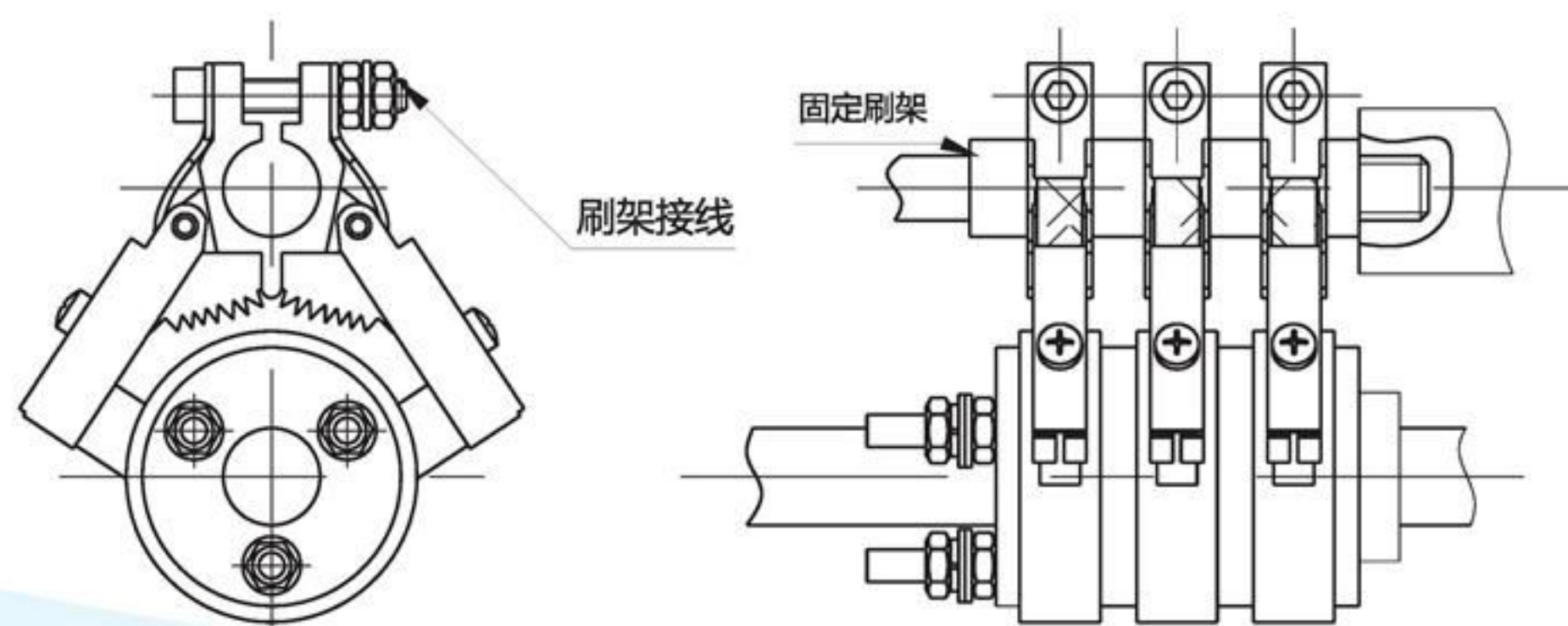


产品规格 Product Specifications

Model	d	D	H	L2	L1	M	F	b	e	a	C	M1
SRS50100144-10T	50	100	144	8.0	13	M4	16	/	/	/	/	/
SRS72K160178-10T	72	160	178	8.0	17	M4	8	/	/	12	76	/
SRS85150326-10T	85	150	326	18.0	31	M8	10	/	/	/	/	/
SRS180K255170-10T	180	255	170	10.0	13	M5	8	/	/	8	183.5	/
SRS220290170-10T	220	290	170	10.0	16	M5	6	/	/	/	/	/

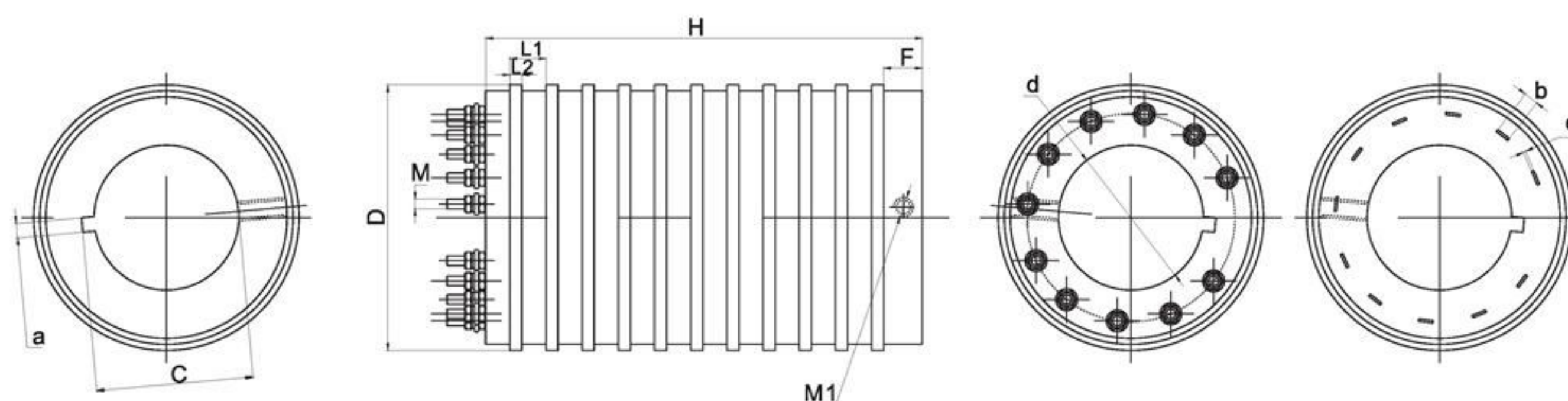
产品安装示意图

Installation Schematic Diagram



11环系列集电环 Eleven-Ring Slip Ring

产品外形尺寸图 Outline Dimension

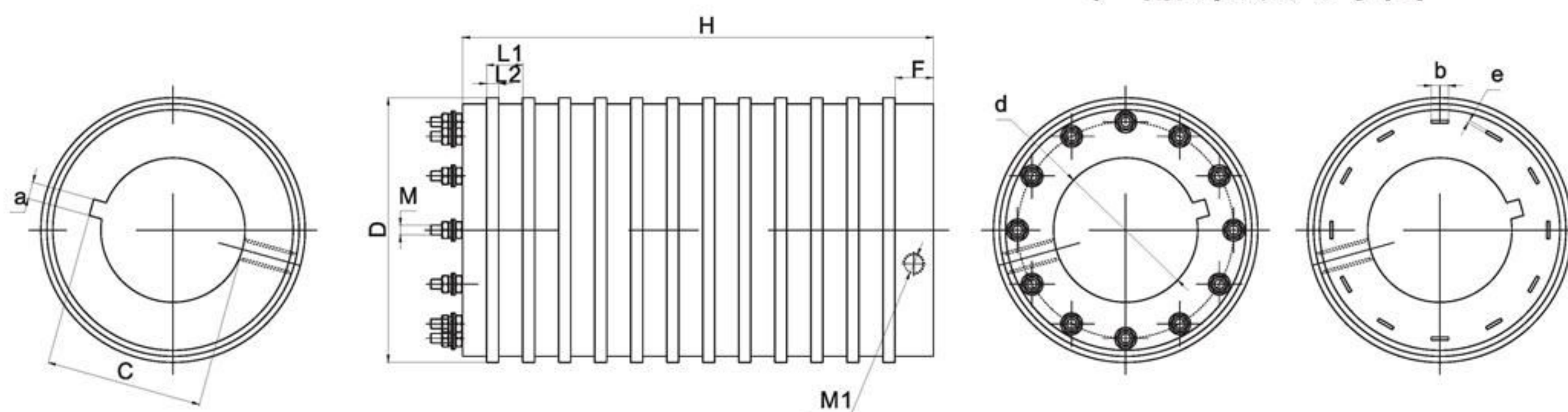


产品规格 Product Specifications

Model	d	D	H	L2	L1	M	F	b	e	a	C	M1
SRS19025893-11T	190	285	93	6.0	8	M4	3	/	/	/	/	/

12环系列集电环 Twelve-Ring Slip Ring

产品外形尺寸图 Outline Dimension

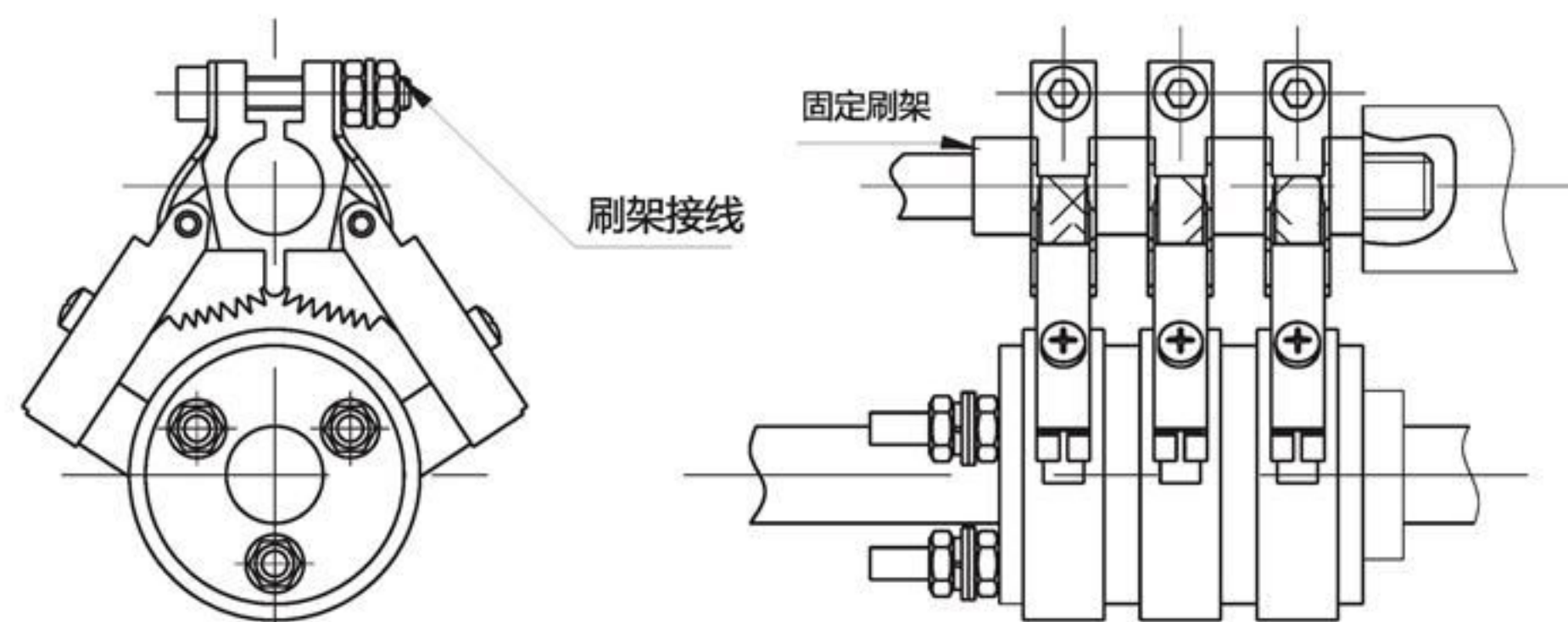


产品规格 Product Specifications

Model	d	D	H	L2	L1	M	F	b	e	a	C	M1
SRS40100165-12T	40	100	165	8.0	13	M4	6	/	/	/	/	/
SRS4590166-12T	45	90	166	8.0	12.5	M4	16	/	/	/	/	/
SRS60125205-12T	60	125	205	11.0	17	M6	4	/	/	/	/	/
SRS75K123210-12T	75	123	210	12.0	16	M6	5	/	/	/	79	/

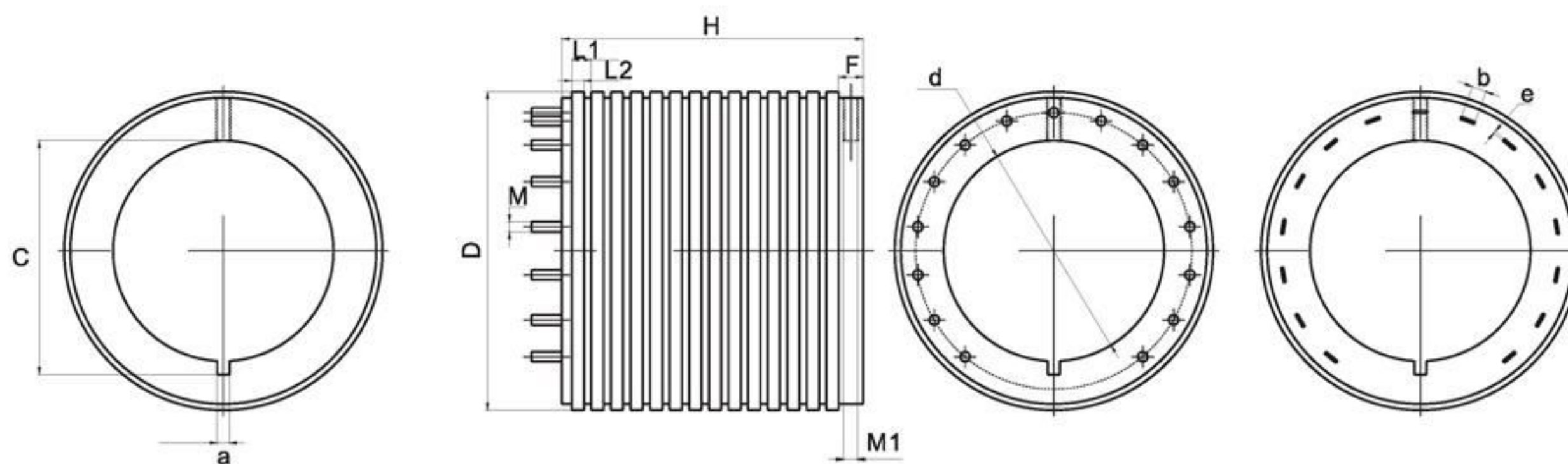
产品安装示意图

Installation Schematic Diagram



14环系列集电环 Fourteen-Ring Slip Ring

产品外形尺寸图 Outline Dimension

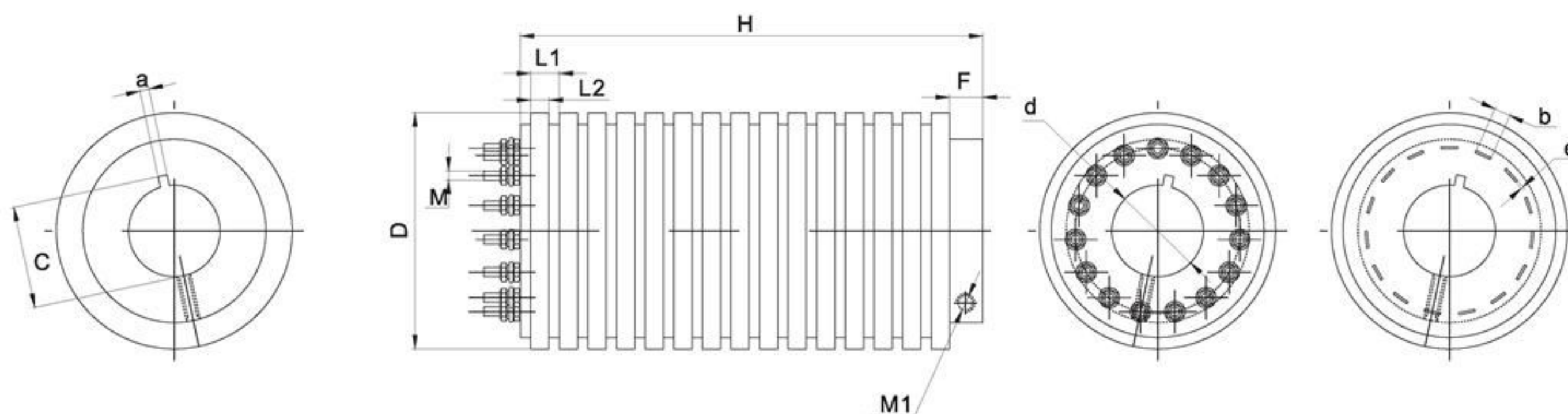


产品规格 Product Specifications

Model	d	D	H	L2	L1	M	F	b	e	a	C	M1
SRS180K255235-14T	180	255	235	10.0	16	M5	6	/	/	8	183.5	/
SRS220K290234-14T	220	290	234	10.0	16	M5	6	/	/	8	223.5	/

15环系列集电环 Fifteen-Ring Slip Ring

产品外形尺寸图 Outline Dimension

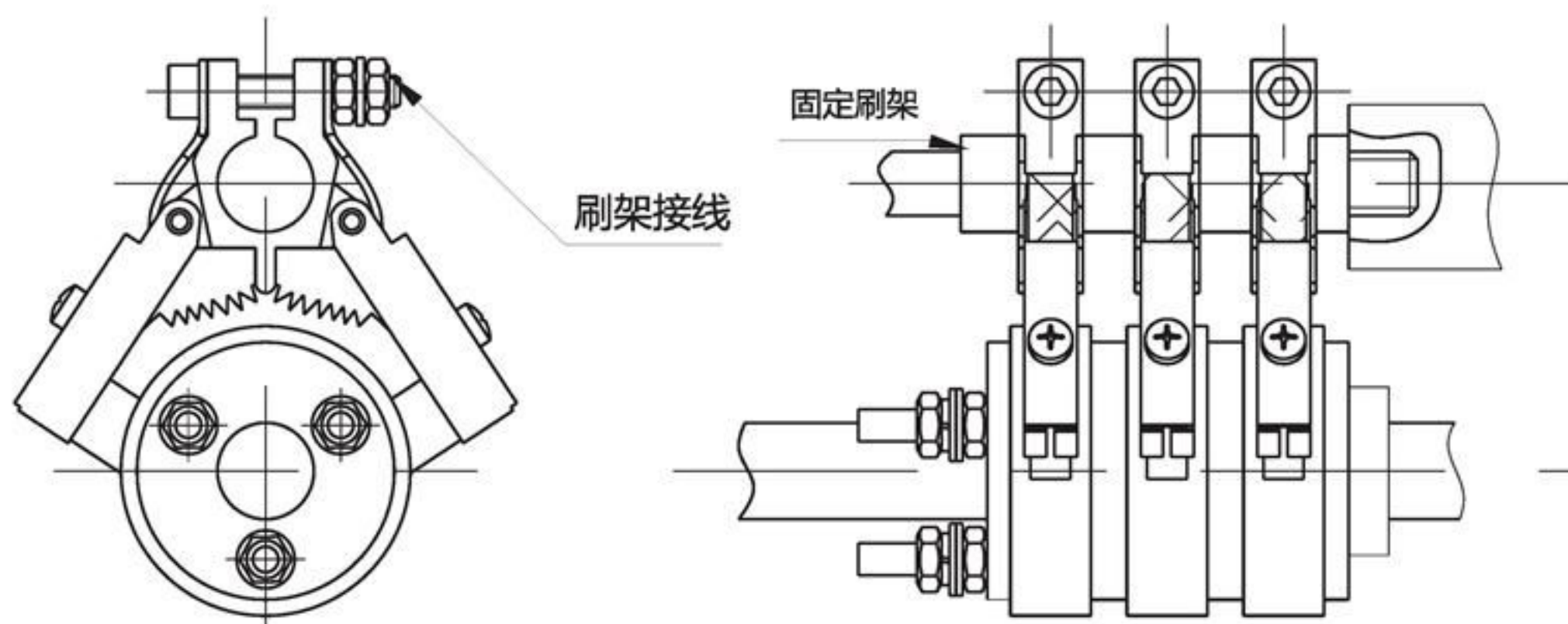


产品规格 Product Specifications

Model	d	D	H	L2	L1	M	F	b	e	a	C	M1
SRS40100185-15N	40	100	185	8.0	13	M4	16	/	/	/	/	/

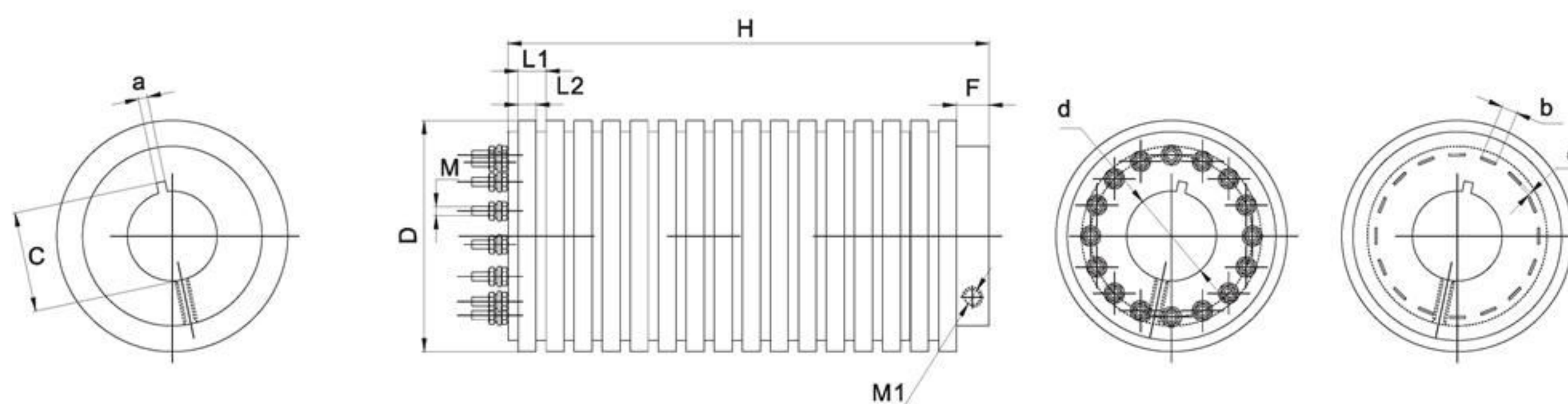
产品安装示意图

Installation Schematic Diagram



16环系列集电环 Sixteen-Ring Slip Ring

产品外形尺寸图 Outline Dimension

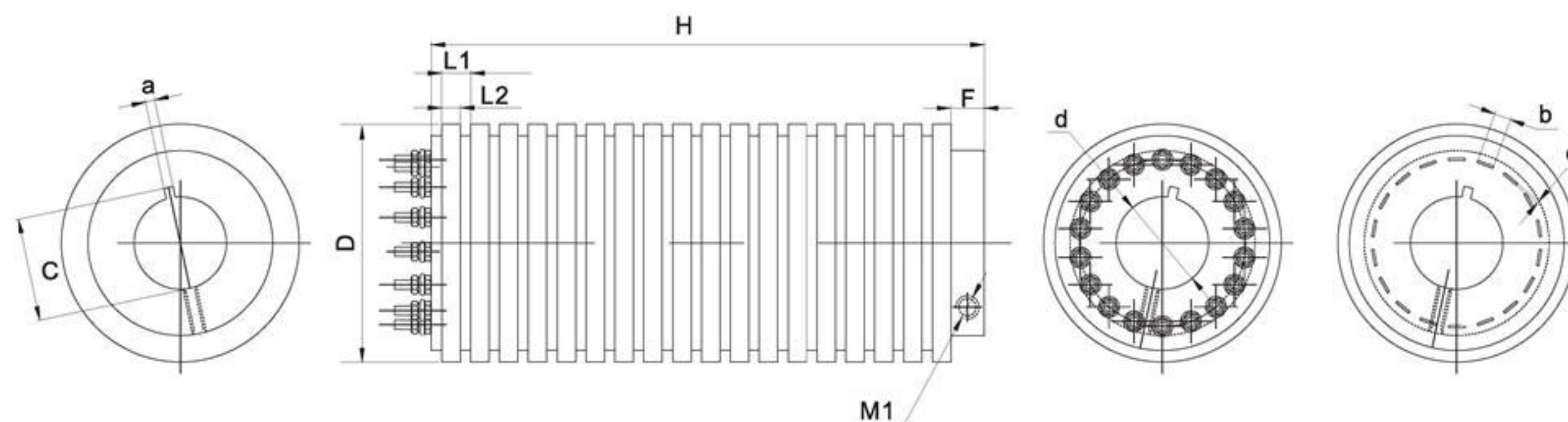


产品规格 Product Specifications

Model	d	D	H	L2	L1	M	F	b	e	a	C	M1
SRS50150216-16T	50	105	216	8.0	13	M4	6	/	/	/	/	/
SRS190256510-16T	190	256	510	16.0	31	M8	14	/	/	/	/	/

18环系列集电环 Eighteen-Ring Slip Ring

产品外形尺寸图 Outline Dimension

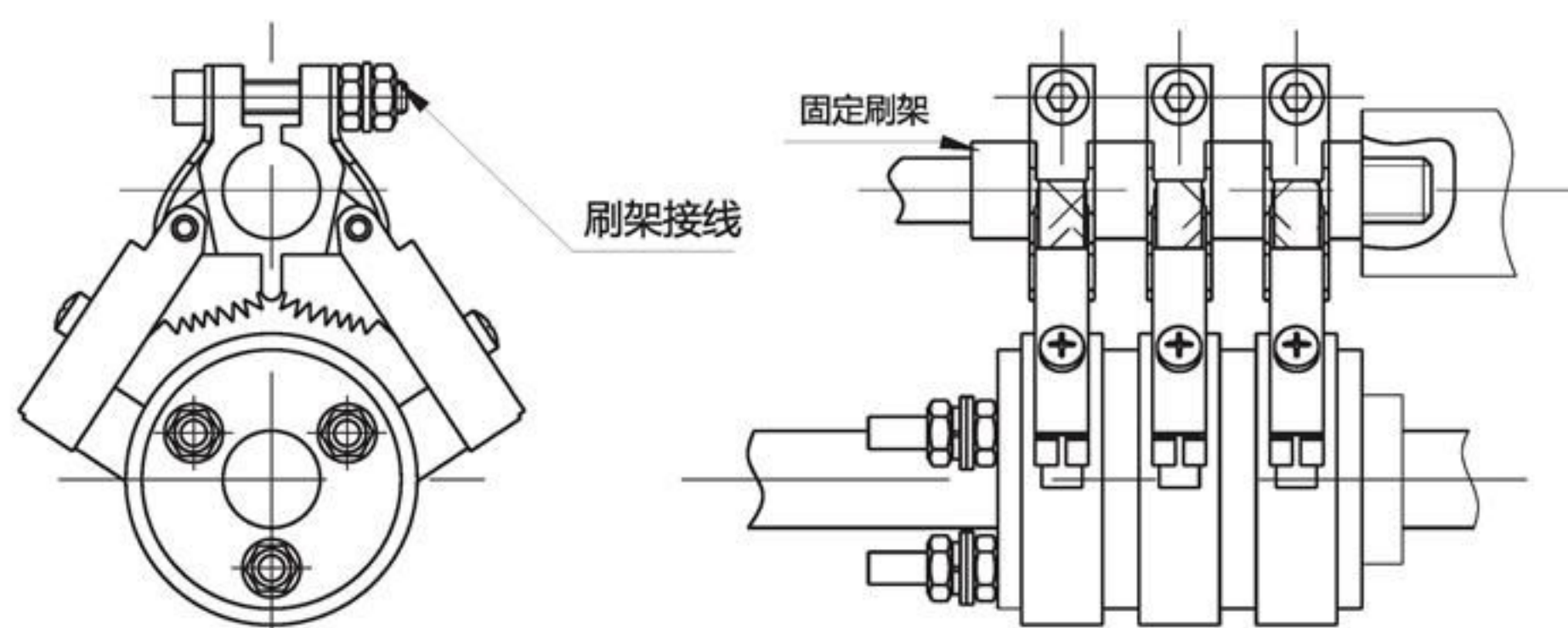


产品规格 Product Specifications

Model	d	D	H	L2	L1	M	F	b	e	a	C	M1
SRS90K144340-18T	90	144	340	10.0	18	M5	6	/	/	12	93.5	/

产品安装示意图

Installation Schematic Diagram



精密型集电环系列 THROUGH-BORE SLIP RING



特点 Characteristic

完全满足360度无限制旋转的动力、控制及数字信号混合传输；采用先进的纤维刷技术，免维护，无需润滑油；每环多点接触，低接触压力，低噪音和低接触磨损，超长的使用寿命；标准化、模块化设计，产品规格齐全，并能为客户量身定制所需要的产品。

Continuous transmission of power and /or signal under 360° unrestrained rotation; applied advanced fibre brush technology, free of maintenance or lubricating oil; multi contact points in each ring, low contact pressure, low noise, low contact wear, extremely long-life; standardized & modularized design; and customized solutions available

可选项 Option

额定电流、电压、额定转速、工作温度、环道数、外壳材料及颜色、外型尺寸、专用导线、导线出口方向、导线长度、防护等级、端子类型

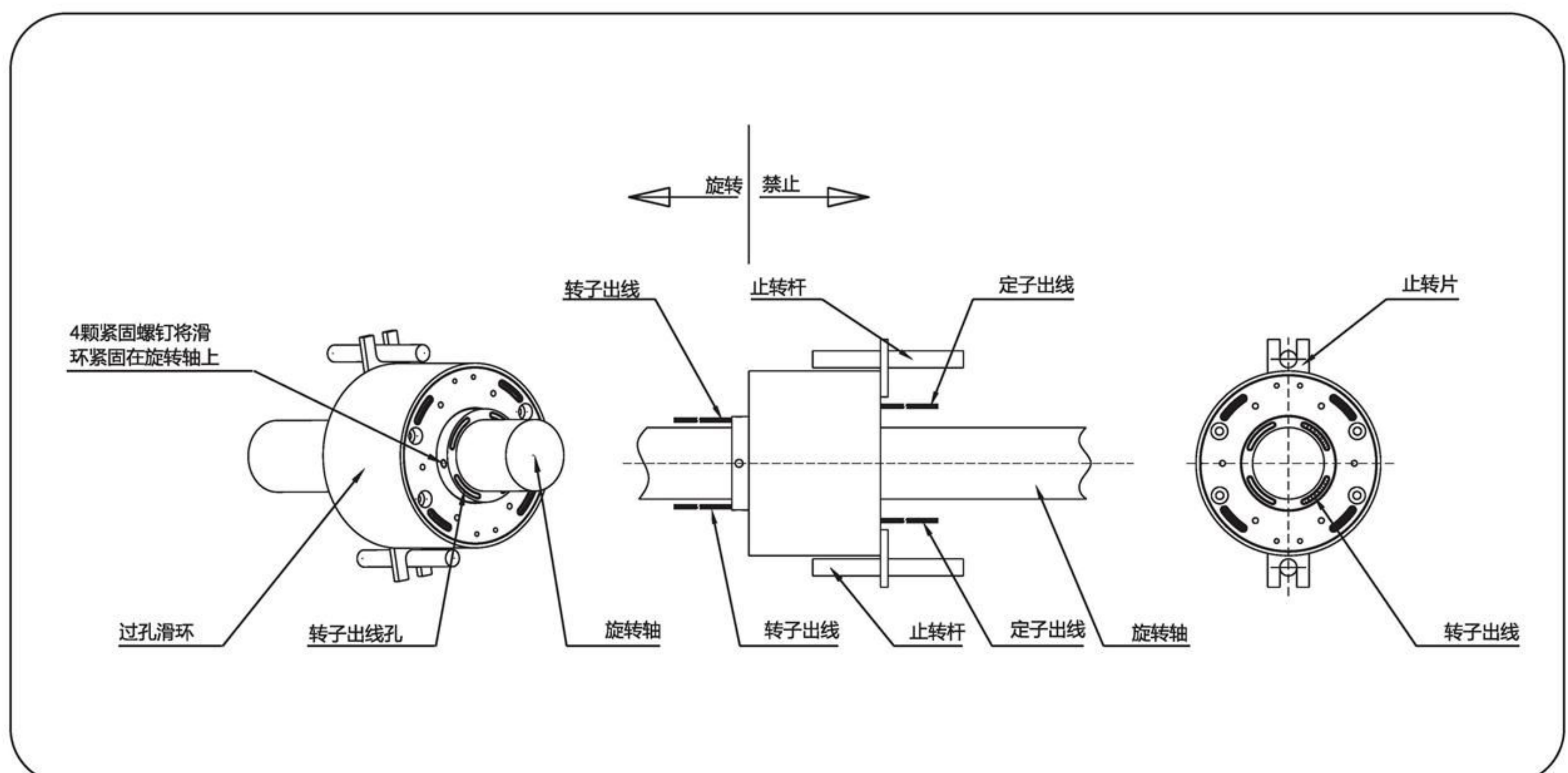
Current, rated voltage, rated speed, temperature, Luton, shell material and color, shape size, special wire, wire length, direction of export, protection grade, terminal type

典型应用 Typical Applications

工业机器加工中心、旋转工作台、重型设备塔台、电缆卷盘、试验设备、包装设备、堆垛机、磁性离合器、工艺控制设备、旋转传感器、紧急照口月设备、机器人、展览 / 显示设备、医疗设备。

Industrial machine-maching centers, rotary index table, heavy equipment turrets,, cable reels, test equipment, packaging equipment, palletizing machines, magnetic clutch, process equipment; rotary sensors, emergency lighting, robots; exhibit display equipment, medical equipment.

产品安装示意图 Installation Diagram



SRH1254 系列导电滑环

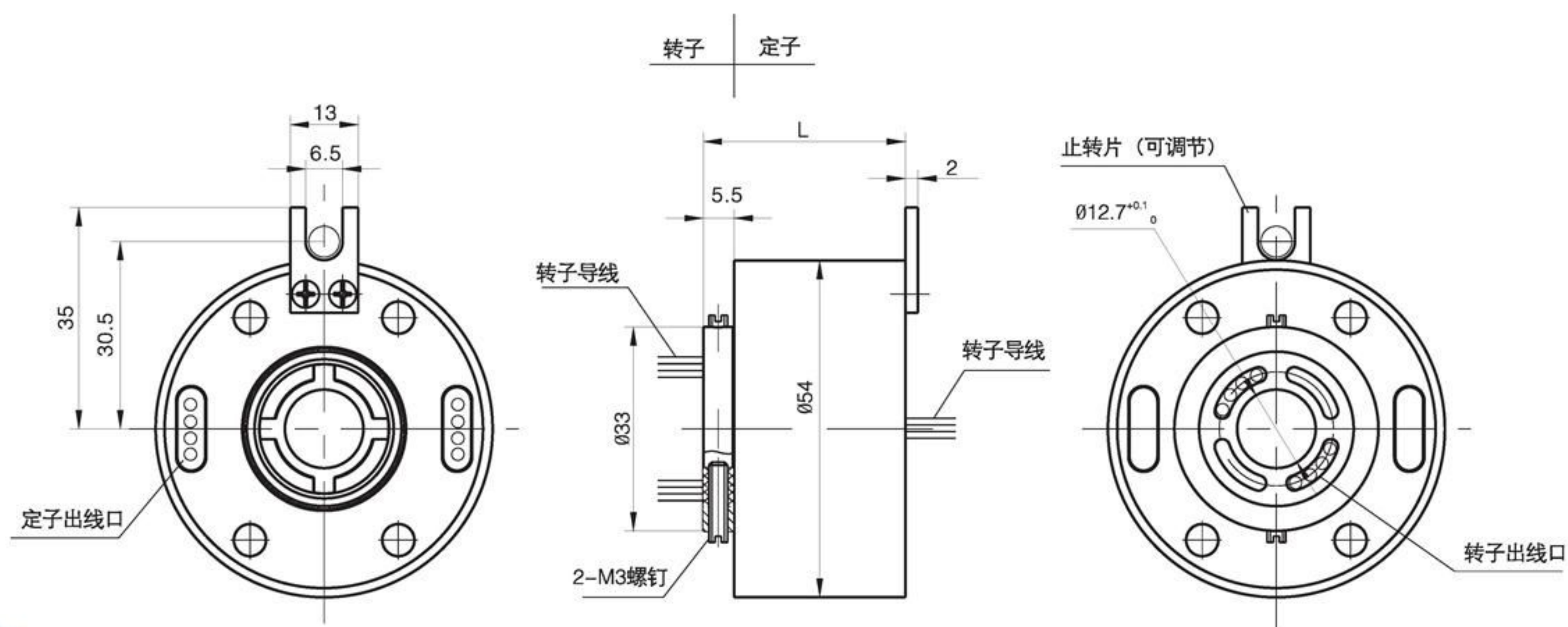
SRH1254 Series Through-Bore Slip Ring

型号选用说明 Model Explanation



型号 Model	长度 (L=mm)	路数 Circuits
SRH1254-6	33.4	6
SRH1254-12	47.3	12
SRH1254-18	61.3	18
SRH1254-24	75.2	24

外形尺寸 OUTLINE DIMENSION 单位(UNIT) mm



SRH1254 系列导电滑环

SRH1254 Series Through-Bore Slip Ring

电气技术指标 Electrical Data

参数 Specification	数值 Values
额定电压 Rated Voltage	240VAC/VDC
额定电流 Rated Current	标准每路为5A 5A/ring
导线规格 Lead Size	AWG22镀银铁氟龙绝缘 AWG22 silver plated, PTFE insulated
导线长度 Lead Length	标准500mm Standard 500mm
绝缘电阻 Insulation Resistance	≥500MΩ/500VDC
绝缘强度 Dielectric Strength	500VAC/50Hz,60s
动态电阻变化值 Electrical Noise	<0.01Ω

机械技术指标 Mechanical Data

参数 Specification	数值 Values
额定转速 Rated Speed	0 – 500 rpm
工作温度 Working temperature	-20℃ – +80℃
工作湿度 Humidity	60%RH或更高 60%RH or higher
接触材料 Contact Material	贵金属 Precious metal
壳体材料 Housing Material	工程塑料 Engineering plastic
力 距 Torque	6环产品为0.1N·M,每增加6环加0.03N·M 0.1N·M for -6 version, 0.03N·M increased for every 6rings added
防护等级 Protection level	IP51

标准滑环导线色码表 Lead Color Code

色码	红RED	黄YEL	黑BLK	蓝BLU	绿GRN	白WHT	紫PUP	灰GRY	棕BRN	橙ORN	深蓝DBLU	土黄KHK
6路	1	2	3	4	5	6	-	-	-	-	-	-
12路	1	2	3	4	5	6	7	8	9	10	11	12
18路	1 13	2 14	3 15	4 16	5 17	6 18	7	8	9	10	11	12
24路	1 13	2 14	3 15	4 16	5 17	6 18	7 19	8 20	9 21	10 22	11 23	12 24

SRH2578 系列导电滑环

SRH2578 Series Through-Bore Slip Ring

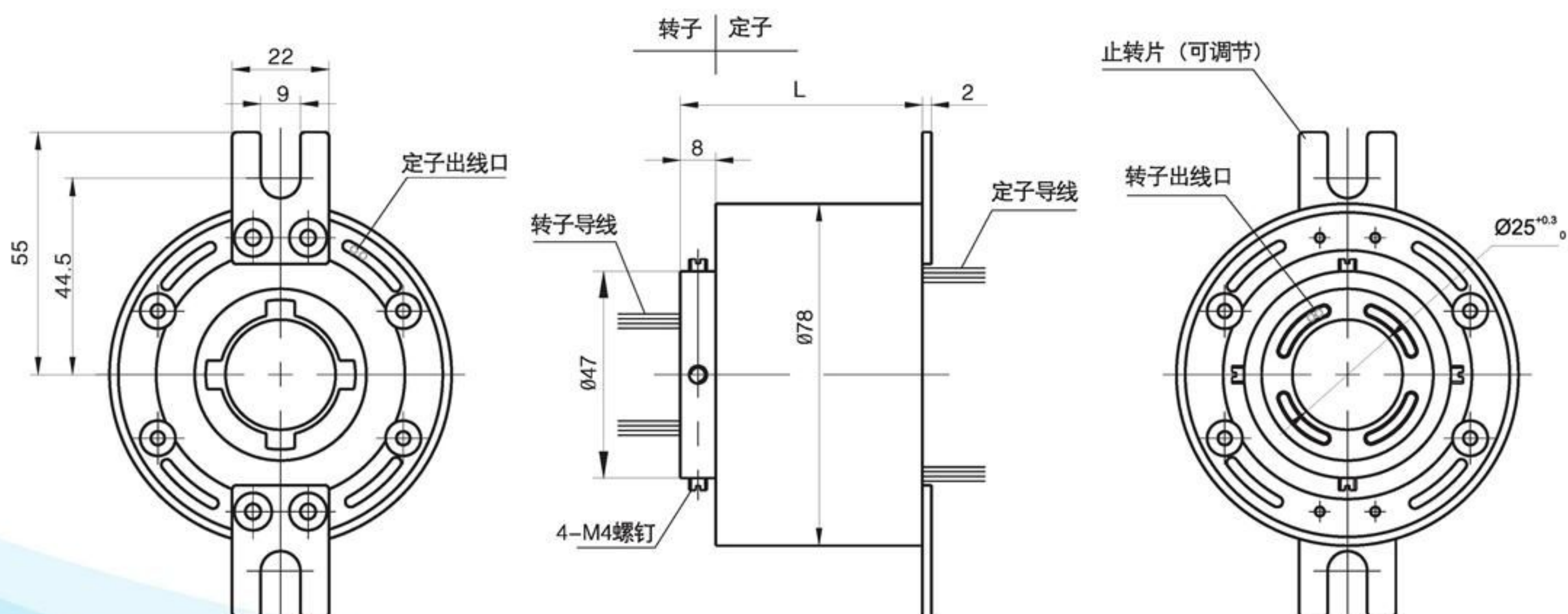
型号选用说明 Model Explanation



型号 Model	长度 (L=mm)	额定电流 Rated Current		总路数 Total No. of Circuits
		功率 P(10A、15A)	信号 S(2A)	
SRH2578-6P	55	6	-	6
SRH2578-12S	79	-	12	12
SRH2578-12P	79	12	-	12
SRH2578-6P/12S	103	6	12	18
SRH2578-24S	127	-	24	24
SRH2578-18P	103	18	-	18
SRH2578-12P/12S	127	12	12	24
SRH2578-6P/24S	151	6	24	30
SRH2578-36S	175	-	36	36
SRH2578-24P	127	24	-	24

可按客户需求定制到 96 通路 Max 96 circuits available on request

外形尺寸 OUTLINE DIMENSION 单位(UNIT) mm



SRH3899 系列导电滑环

SRH3899 Series Through-Bore Slip Ring

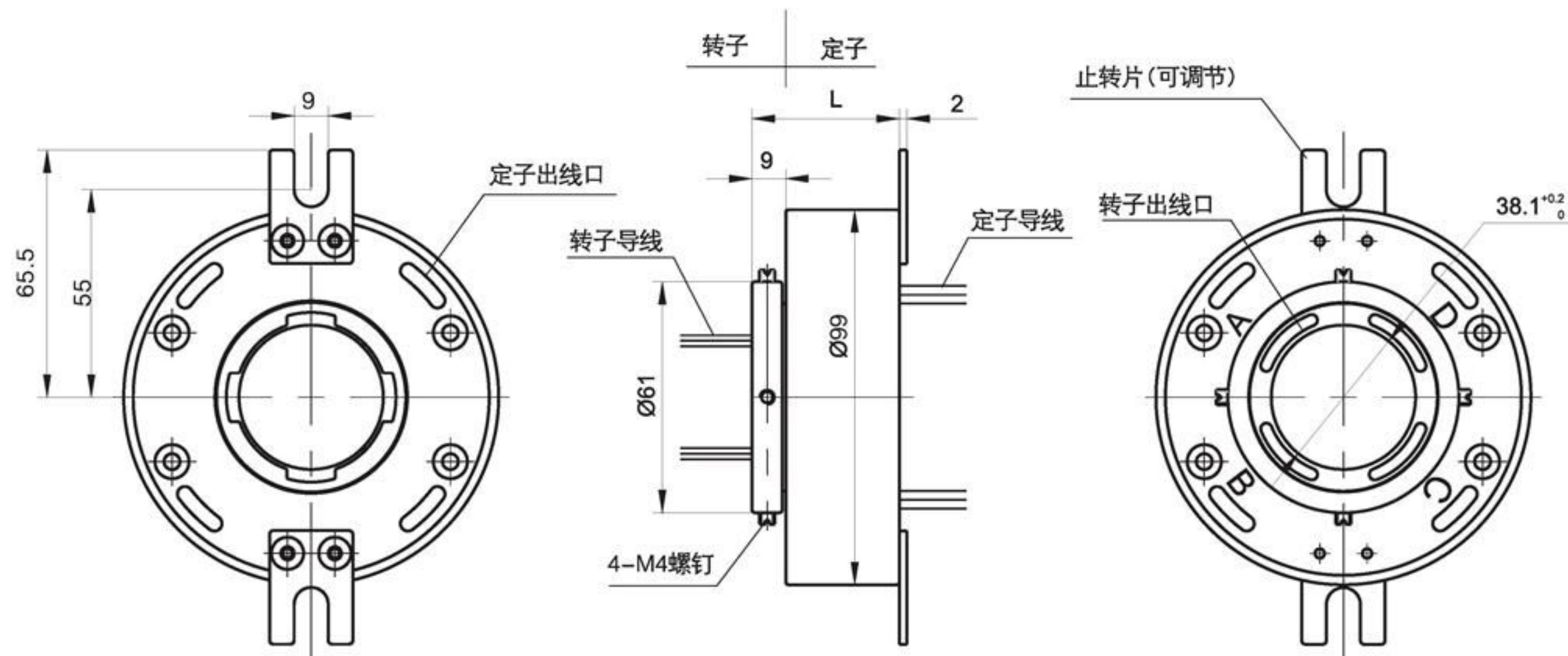
型号选用说明 Model Explanation



型号 Model	长度 (L=mm)	额定电流 Rated Current		总路数 Total No. of Circuits
		功率P(10A、15A)	信号S(2A)	
SRH3899-6P	55	6	-	6
SRH3899-12S	79	-	12	12
SRH3899-12P	79	12	-	12
SRH3899-6P/12S	103	6	12	18
SRH3899-24S	127	-	24	24
SRH3899-18P	103	18	-	18
SRH3899-12P/12S	127	12	12	24
SRH3899-6P/24S	151	6	24	30
SRH3899-36S	175	-	36	36
SRH3899-24P	127	24	-	24
SRH3899-18P/12S	151	18	12	30
SRH3899-12P/24S	175	12	24	36
SRH3899-6P/36S	203	6	36	42
SRH3899-48S	223	-	48	48

可按客户需求定制到 96 通路 Max 96 circuits available on request

外形尺寸 OUTLINE DIMENSION 单位(UNIT) mm



SRH50120 系列导电滑环

SRH50120 Series Through-Bore Slip Ring

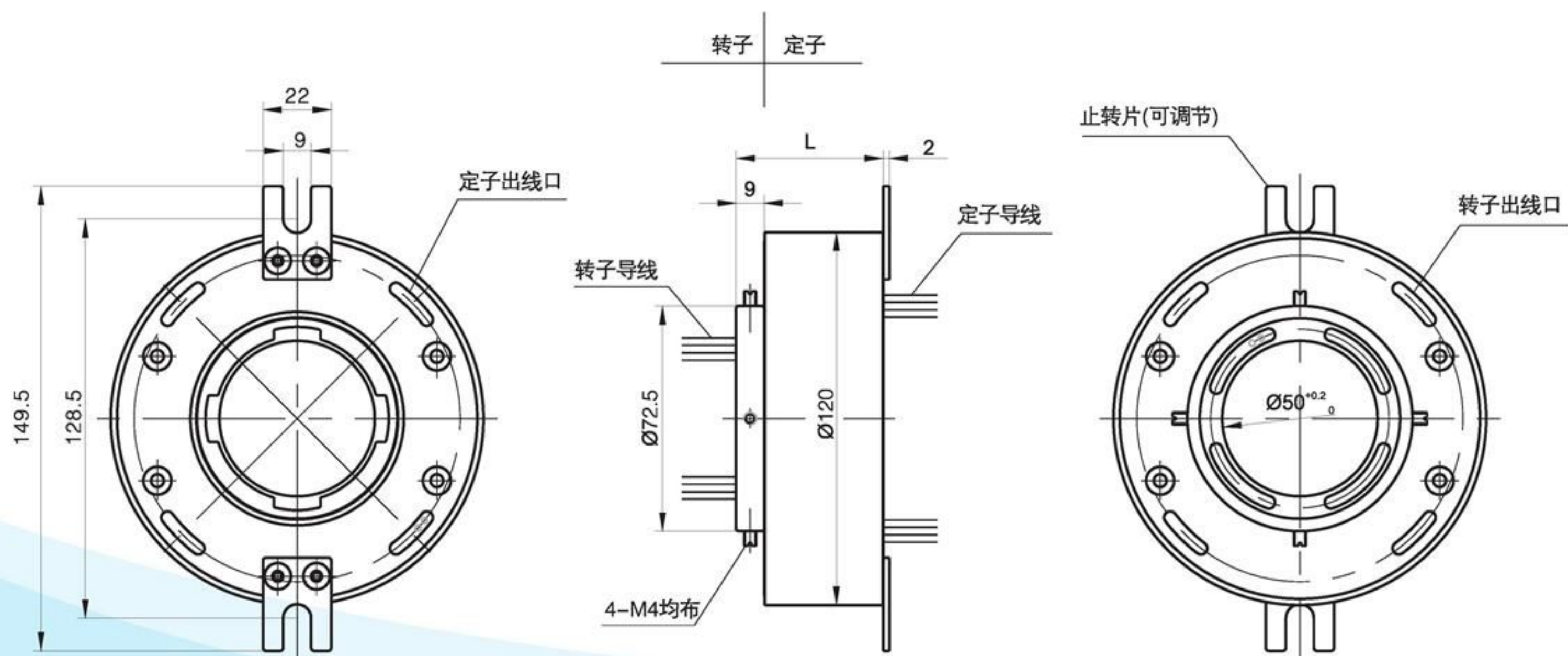
型号选用说明 Model Explanation



型号 Model	长度 (L=mm)	额定电流 Rated Current		总路数 Total No. of Circuits
		功率P(10A、15A或20A)	信号S(5A)	
SRH50120-6P	64	6	-	6
SRH50120-12S	88	-	12	12
SRH50120-12P	88	12	-	12
SRH50120-6P/12S	112	6	12	18
SRH50120-24S	136	-	24	24
SRH50120-18P	112	18	-	18
SRH50120-12P/12S	136	12	12	24
SRH50120-6P/24S	160	6	24	30
SRH50120-36S	184	-	36	36

可按客户需求定制到 96 通路 Max 96 circuits available on request

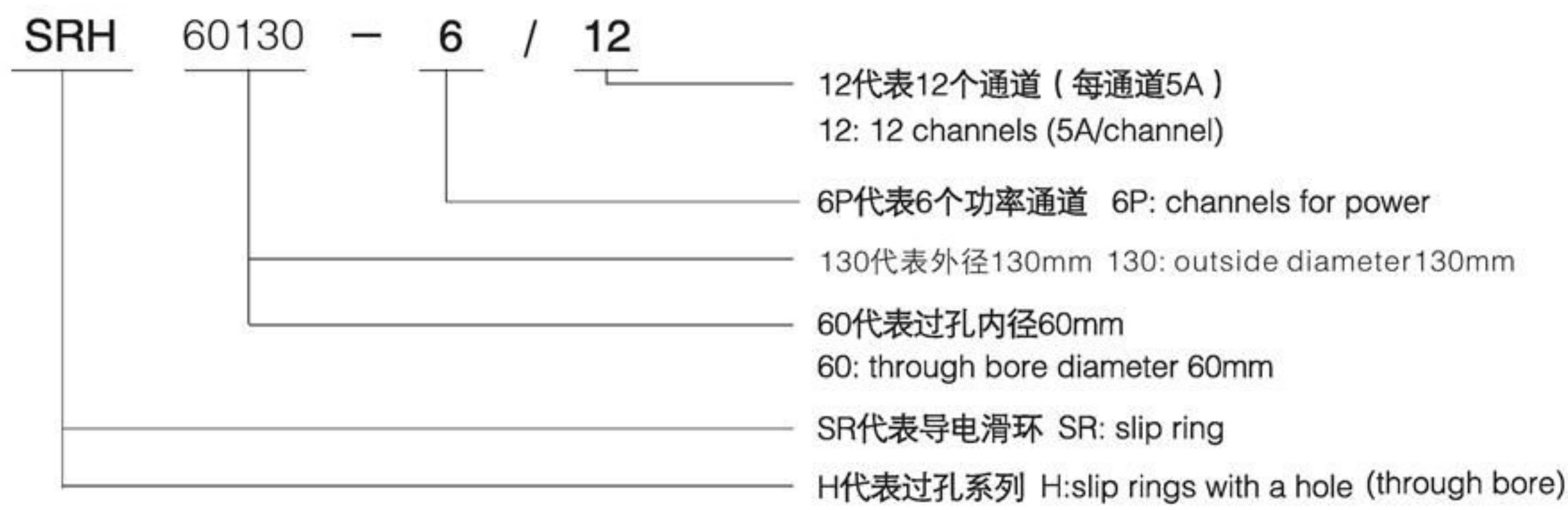
外形尺寸 OUTLINE DIMENSION 单位(UNIT) mm



SRH60130 系列导电滑环SRH60130

SRH60135 Series Through-Bore Slip Ring

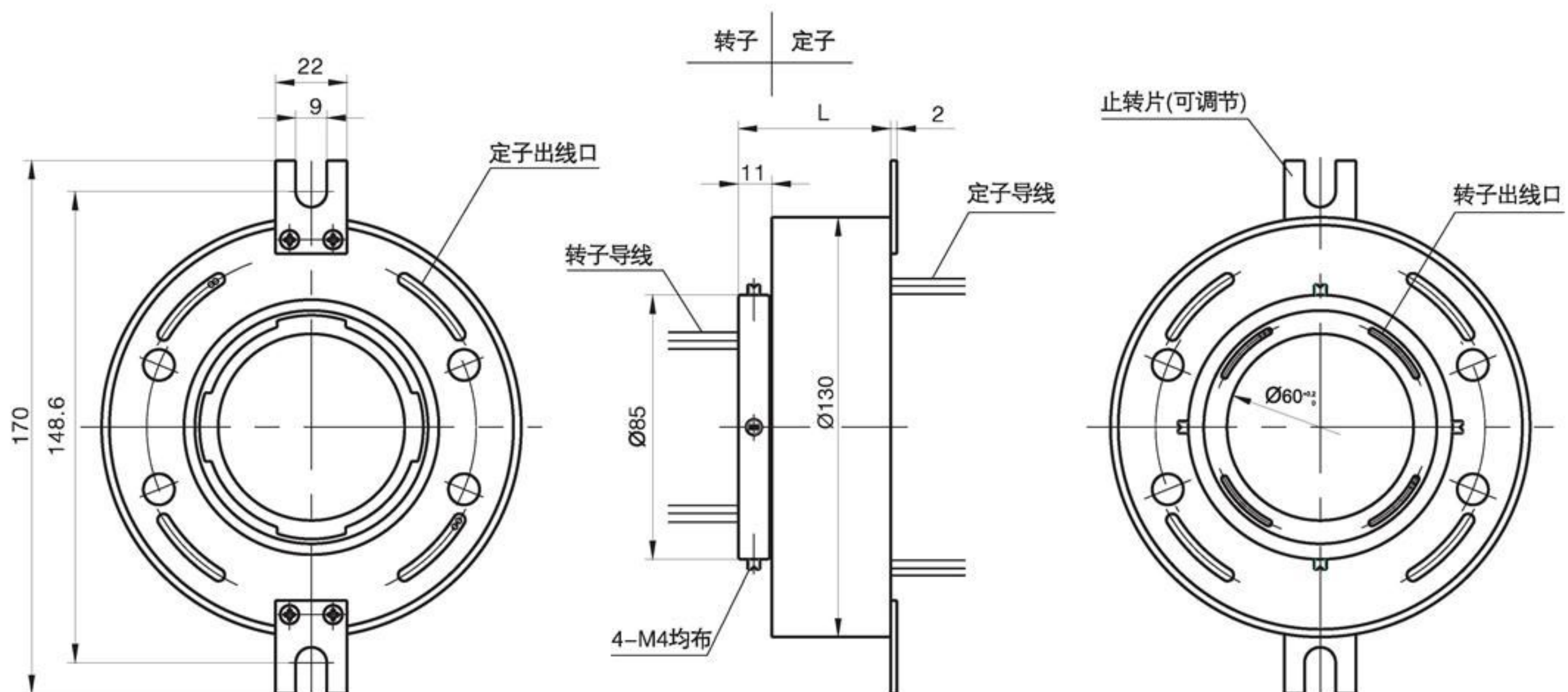
型号选用说明 Model Explanation



型号 Model	长度 (L=mm)	额定电流 Rated Current		总路数 Total No. of Circuits
		功率P(10A、15A或20A)	信号S(5A)	
SRH60130-6P	66	6	-	6
SRH60130-12S	90	-	12	12
SRH60130-12P	90	12	-	12
SRH60130-6P/12S	114	6	12	18
SRH60130-24S	138	-	24	24
SRH60130-18P	114	18	-	18
SRH60130-12P/12S	138	12	12	24
SRH60130-6P/24S	162	6	24	30
SRH60130-36S	186	-	36	36
SRH60130-24P	138	24	-	24

可按客户需求定制到 96 通路 Max 96 circuits available on request

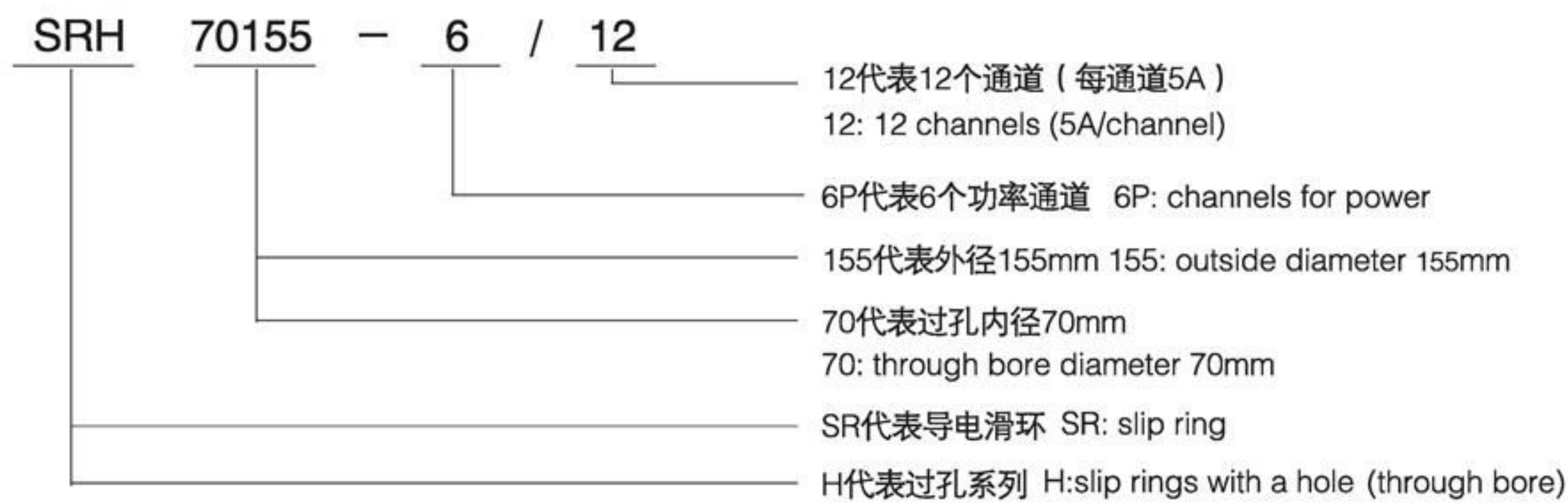
外形尺寸 OUTLINE DIMENSION 单位(UNIT) mm



SRH70155 系列导电滑环

SRH70155 Series Through-Bore Slip Ring

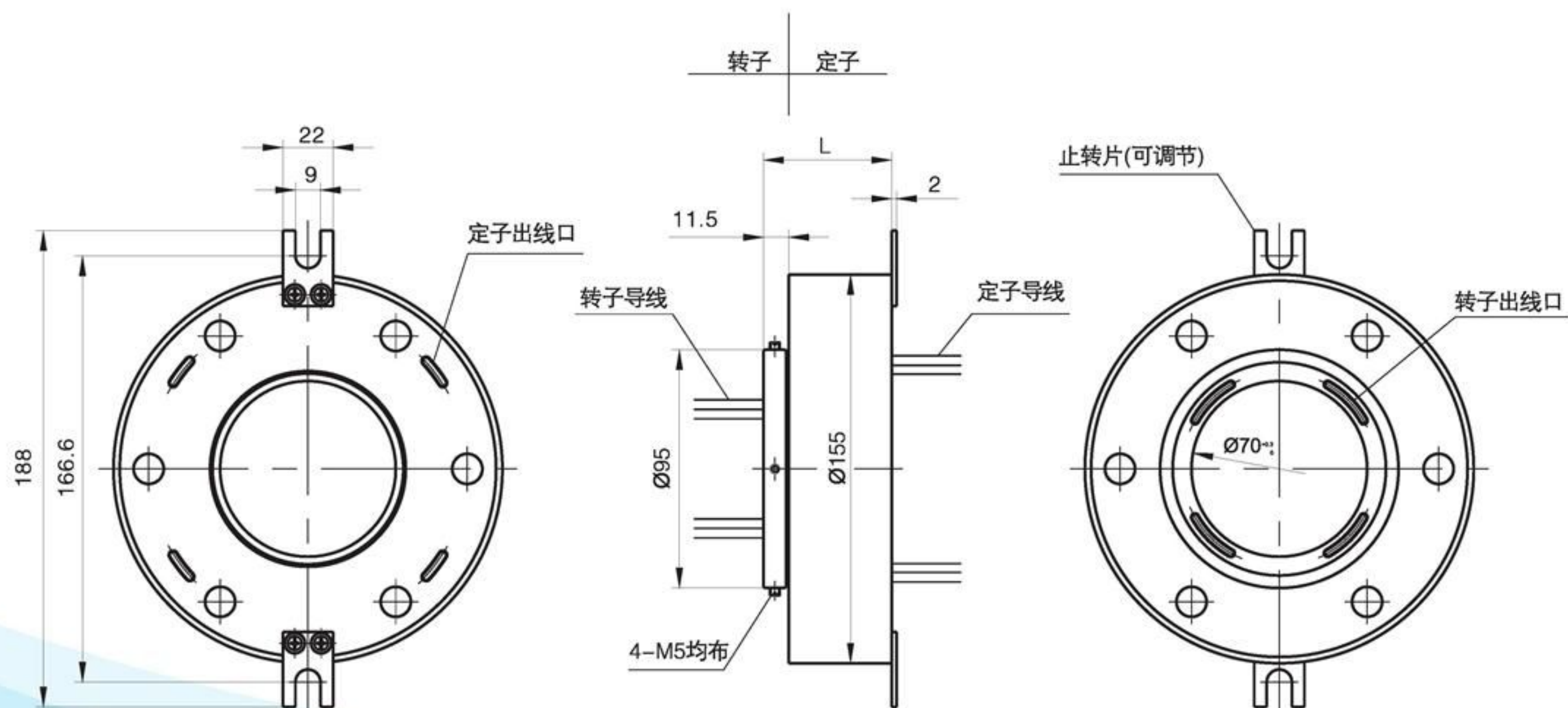
型号选用说明 Model Explanation



型号 Model	长度 (L=mm)	额定电流 Rated Current		总路数 Total No. of Circuits
		功率P(10A、15A或20A)	信号S(5A)	
SRH70155-6P	71	6	-	6
SRH70155-12S	95	-	12	12
SRH70155-12P	95	12	-	12
SRH70155-6P/12S	119	6	12	18
SRH70155-24S	143	-	24	24
SRH70155-18P	119	18	-	18
SRH70155-12P/12S	143	12	12	24
SRH70155-6P/24S	167	6	24	30
SRH70155-36S	191	-	36	36
SRH70155-24P	143	24	-	24

可按客户需求定制到216通路 Max 216 circuits available on request

外形尺寸 OUTLINE DIMENSION 单位(UNIT) mm



SRH80180 系列导电滑环

SRH80180 Series Through-Bore Slip Ring

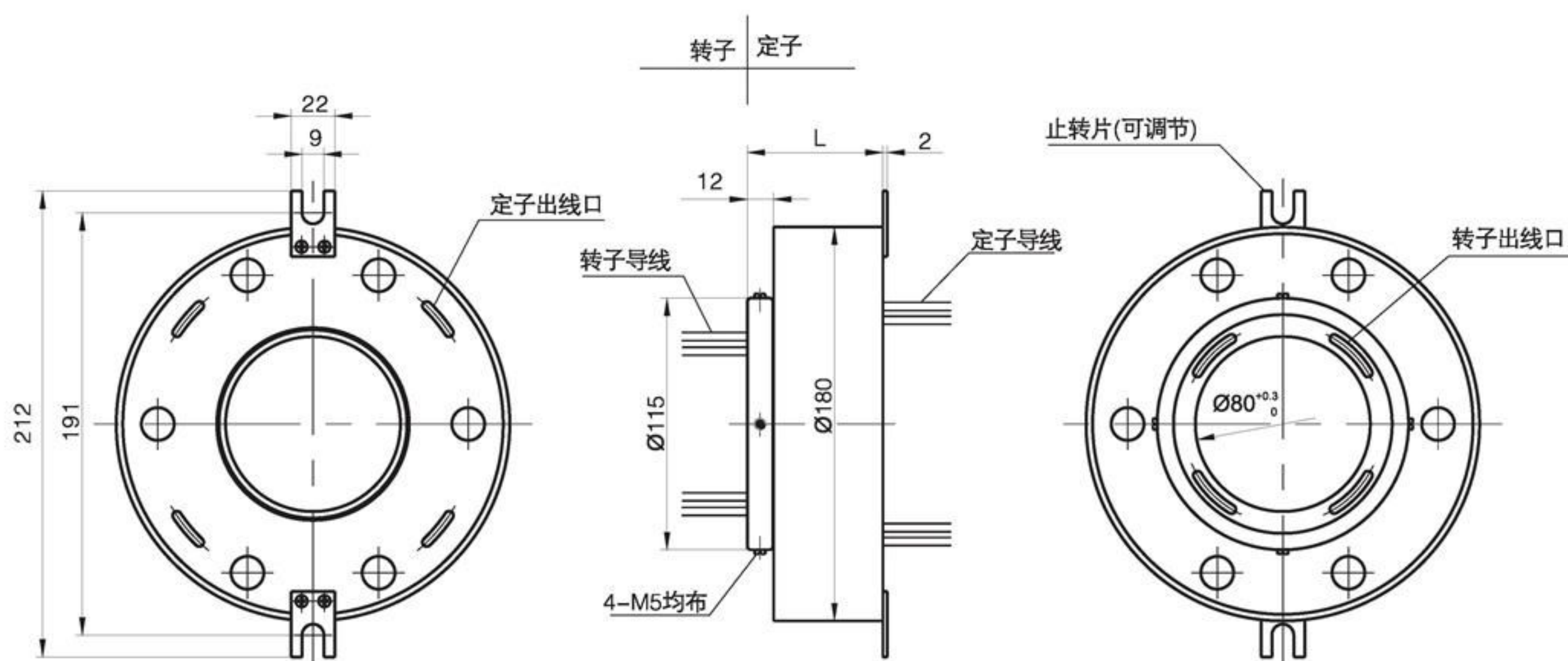
型号选用说明 Model Explanation



型号 Model	长度 (L=mm)	额定电流 Rated Current		总路数 Total No. of Circuits
		功率P(10A、15A或20A)	信号S(5A)	
SRH80180-6P	72	6	-	6
SRH80180-12S	96	-	12	12
SRH80180-12P	96	12	-	12
SRH80180-6P/12S	128	6	12	18
SRH80180-24S	180	-	24	24
SRH80180-18P	128	18	-	18
SRH80180-12P/12S	144	12	12	24
SRH80180-6P/24S	168	6	24	30
SRH80180-36S	192	-	36	36
SRH80180-24P	144	24	-	24

可按客户需求定制到216通路 Max 216 circuits available on request

外形尺寸 OUTLINE DIMENSION 单位(UNIT) mm



SRH90190 系列导电滑环

SRH90190 Series Through-Bore Slip Ring

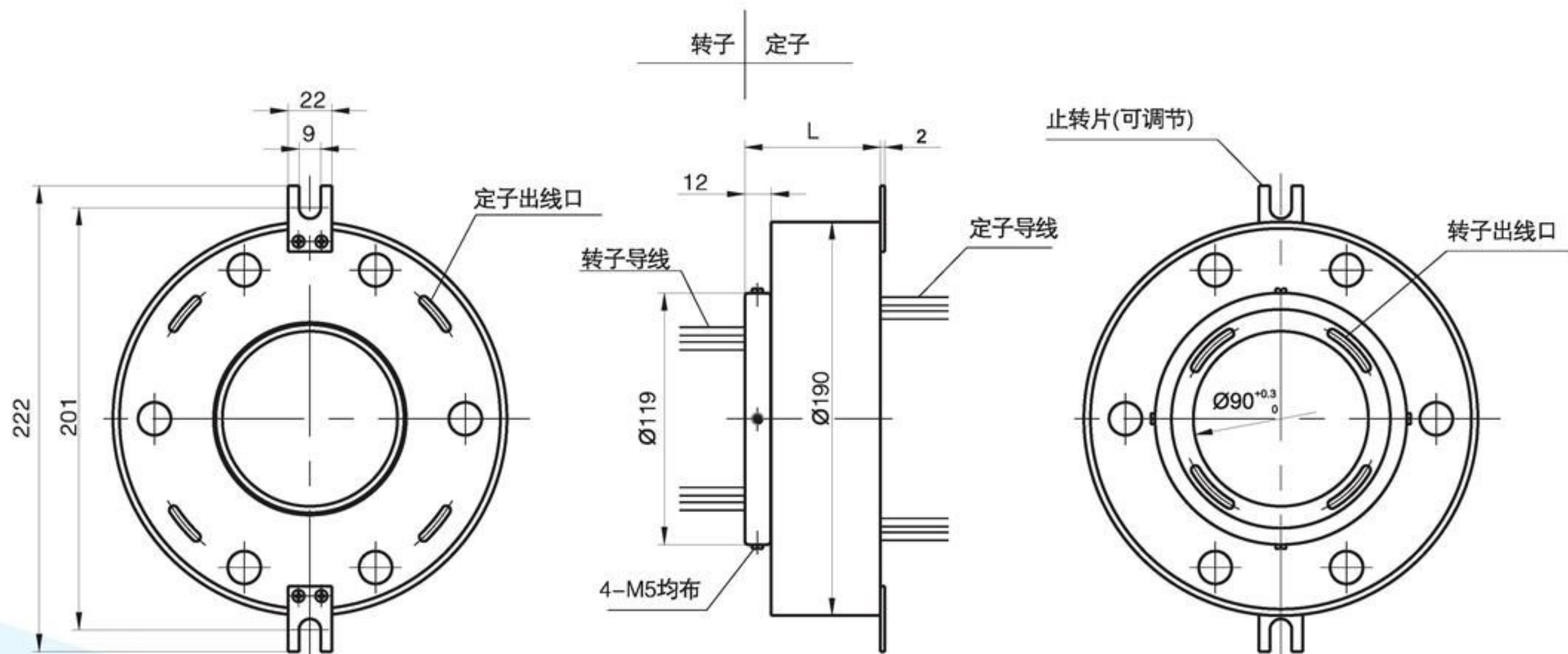
型号选用说明 Model Explanation



型号Model	长度 (L=mm)	额定电流 Rated Current		总路数 Total No.of Circuits
		功率P(10A、15A或20A)	信号S(5A)	
SRH90190-6P	88.5	6	-	6
SRH90190-12S	118.5	-	12	12
SRH90190-12P	118.5	12	-	12
SRH90190-6P/12S	148.5	6	12	18
SRH90190-24S	178.5	-	24	24
SRH90190-18P	148.5	18	-	18
SRH90190-12P/12S	178.5	12	12	24
SRH901905-6P/24S	208.5	6	24	30
SRH90190-36S	238.5	-	36	36
SRH90190-24P	178.5	24	-	24

可按客户需求定制到216通路 Max 216 circuits available on request

外形尺寸 OUTLINE DIMENSION 单位(UNIT) mm



SRH100203 系列导电滑环

SRH100203 Series Through-Bore Slip Ring

型号选用说明 Model Explanation



型号 Model	长度 (L=mm)	额定电流 Rated Current		总路数 Total No. of Circuits
		功率P(10A、15A或20A)	信号S(5A)	
SRH100200-6P	93.5	6	—	6
SRH100200-10S	113.5	—	10	10
SRH100200-12P	96.5	12	—	12
SRH100200-6P/10S	143.5	6	10	16
SRH100200-20S	163.5	—	20	20
SRH100200-18P	153.5	18	—	18
SRH100200-12P/10S	173.5	12	10	22
SRH100200-6P/20S	193.5	6	20	26
SRH100200-30S	213.5	—	30	30
SRH100200-24P	183.5	24	—	24
SRH100200-18P/10S	203.5	18	10	28
SRH100200-12P/20S	233.5	12	20	32
SRH100200-6P/30S	243.5	6	30	36
SRH100200-40S	273.5	—	40	40
SRH100200-30P	213.5	30	—	30
SRH100200-24P/10S	233.5	24	10	34
SRH100200-18P/20S	253.5	18	20	38
SRH100200-12P/30S	273.5	12	30	42
SRH100200-6P/40S	293.5	6	40	46
SRH100200-50S	313.5	—	50	50
SRH100200-36P	243.5	36	—	36
SRH100200-30P/10S	263.5	30	10	40
SRH100200-24P/20S	283.5	24	20	44
SRH100200-18P/30S	303.5	18	30	48
SRH100200-12P/40S	353.5	12	40	52

可按客户需求定制到216通路 Max 216 circuits available on request

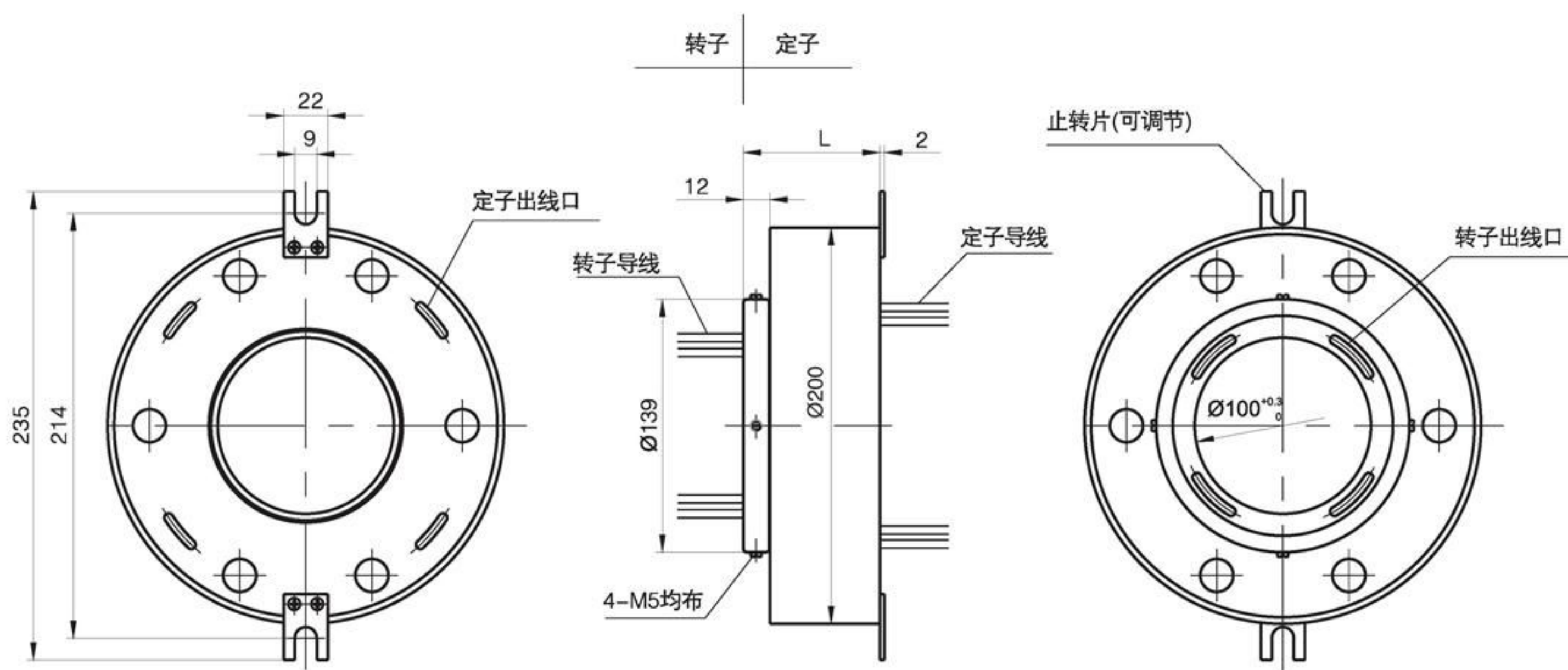
电气技术指标 Electrical Data

参数 Specification	数值 Values	
	功率 Power	信号 Signal
额定电压 Rated Voltage	380VAC	240VAC/VDC
绝缘电阻 Insulation Resistance	≥ 1000MΩ/500VDC	≥ 500MΩ/500VDC
导线规格 Lead Size	AWG16镀锡铁氟龙或PVC绝缘 AWG16 tin plated, PTFE insulated or PVC	AWG22镀银铁氟龙绝缘 AWG22 silver plated, PTFE insulated
导线长度 Lead Length	标准500mm Standard 500mm	
绝缘强度 Dielectric Strength	500VAC@50Hz,60s	
动态电阻变化值 Electrical Noise	<0.01Ω	

机械技术指标 Mechanical Data

参数 Specification	数值 Values
额定转速 Rated Speed	0~500 rpm
工作温度 Working temperature	-20℃ - +80℃
工作湿度 Operating Humidity	60%RH 或更高 60%RH or higher
接触材料 Contact Material	贵金属 Precious metals
壳体材料 Housing Material	工程塑料或铝合金 Engineering Plastics or Aluminum
力 距 Torque	6环产品为0.1N·M,每增加6环加0.03N·M 0.1N·M for -6 version, 0.03N·M increased for every 6rings added
防护等级 Protection level	IP51

外形尺寸 OUTLINE DIMENSION 单位(UNIT) mm



特点 Characteristic

完全满足360度无限制旋转的图像及数据传输 工作噪音小, 寿命长 小转动力矩, 运转平滑 动态电阻变化值极低<0.01Ω
体积小, 结构紧凑

Fully meet the 360 degrees without limitation of image and data transmission noise rotation of small, long life and small rotational torque, smooth operation of dynamic resistance value is very low with <0.01 has the advantages of small volume, compact structure

可选项 Option

路数、外壳材料、防护等级、更高转数、导线长度、端子接插件、专用导线、防盐雾、工作温度、外壳可反装

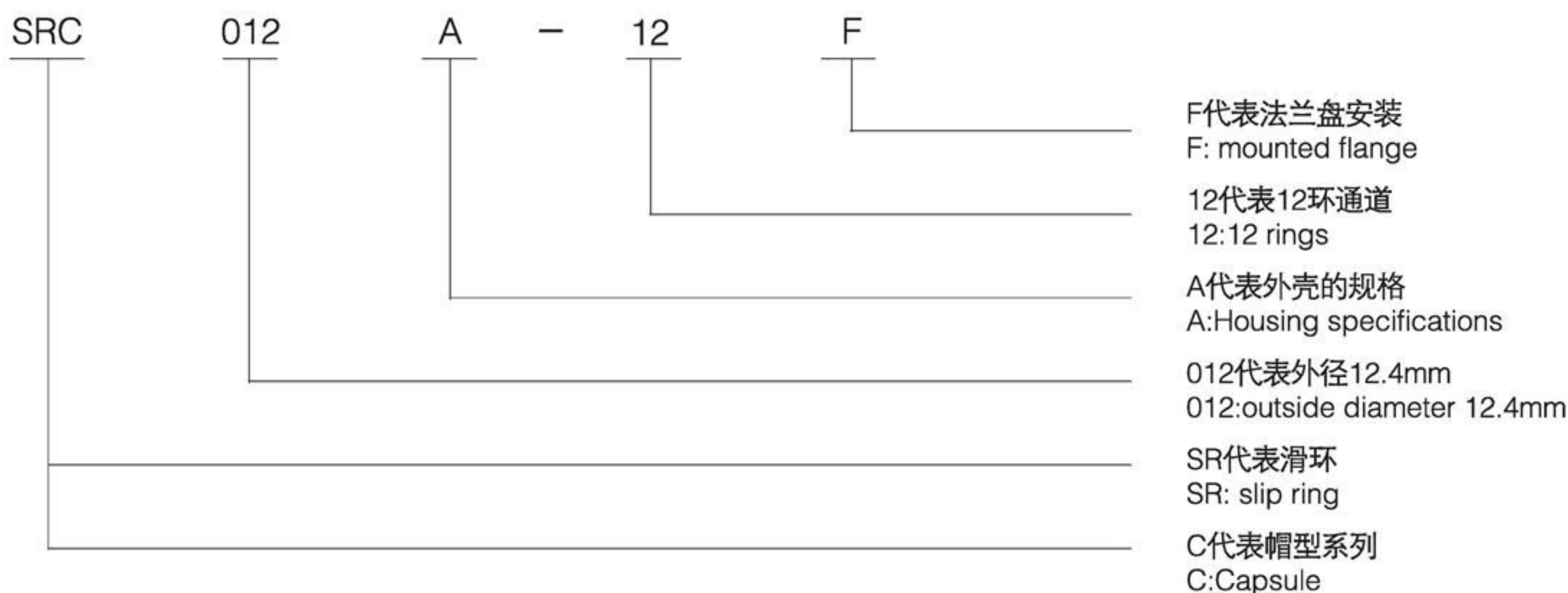
Way, housing materials, protection grade, higher speed, the length of the wire, connector, wire, special anti salt fog, working temperature and the shell can be anti loaded

典型应用 Typical Applications

闭路监控云台; 机械手; 医疗卫生设备; 旋转工作平台; 流水线生产、工业控制设备

Closed circuit monitoring platform; manipulator; medical equipment; rotary working platform; assembly line production, industrial control equipment

型号选用说明 Model Explanation



电气技术指标 Electrical Data

参数 Specification	数值 Values
额定电压 Rated Voltage	240VDC/240VAC
额定电流 Rated Current	标准每路为2A 2A/ring
导线规格 Lead Size	AWG28 彩色镀银铁氟龙绝缘 AWG28, color coded, PTFE insulated, silver plated copper
导线长度 Lead Length	250mm或根据客户要求提供 250mm (or as request)
绝缘体强度 Dielectric Strength	500VAC@50Hz, 60s
绝缘电阻 Insulation Resistance	1000MΩ/500VDC
动态电阻变化值 Electrical Noise	<0.01Ω

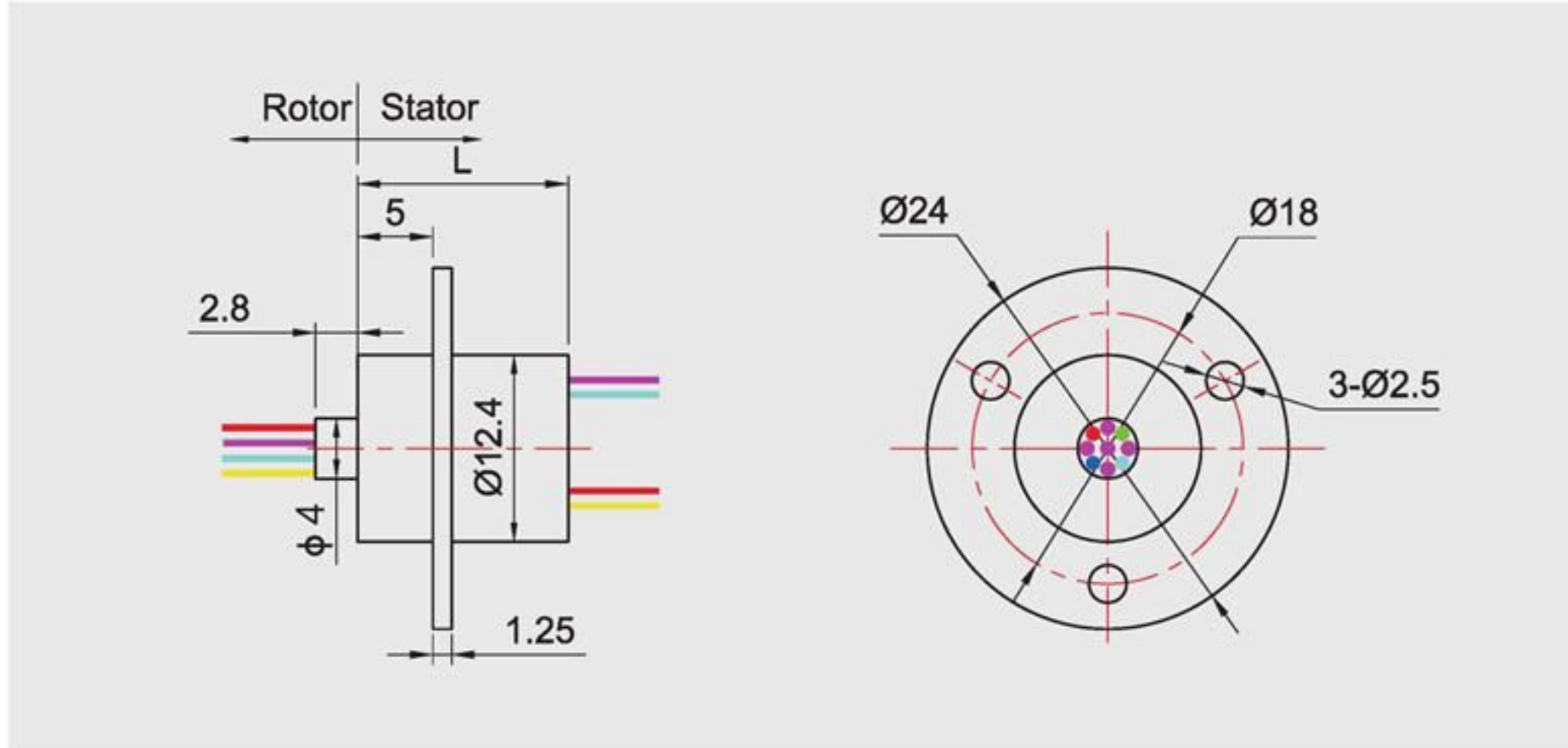
机械技术指标 Mechanical Data

参数 Specification	数值 Values
额定转速 Rated Speed	0~300rpm
工作温度 Temperature Range	-20℃ - +80℃
工作湿度 Operating Humidity	60%RH 或更高 60%RH or higher
接触材料 Contact Material	贵金属 Precious Metals
壳体材料 Housing Material	scitsalPEngineering 工程塑料

SRC012 系列帽型滑环

SRC012 Capsule Slip Ring

外形尺寸 OUTLINE DIMENSION 单位(UNIT) mm

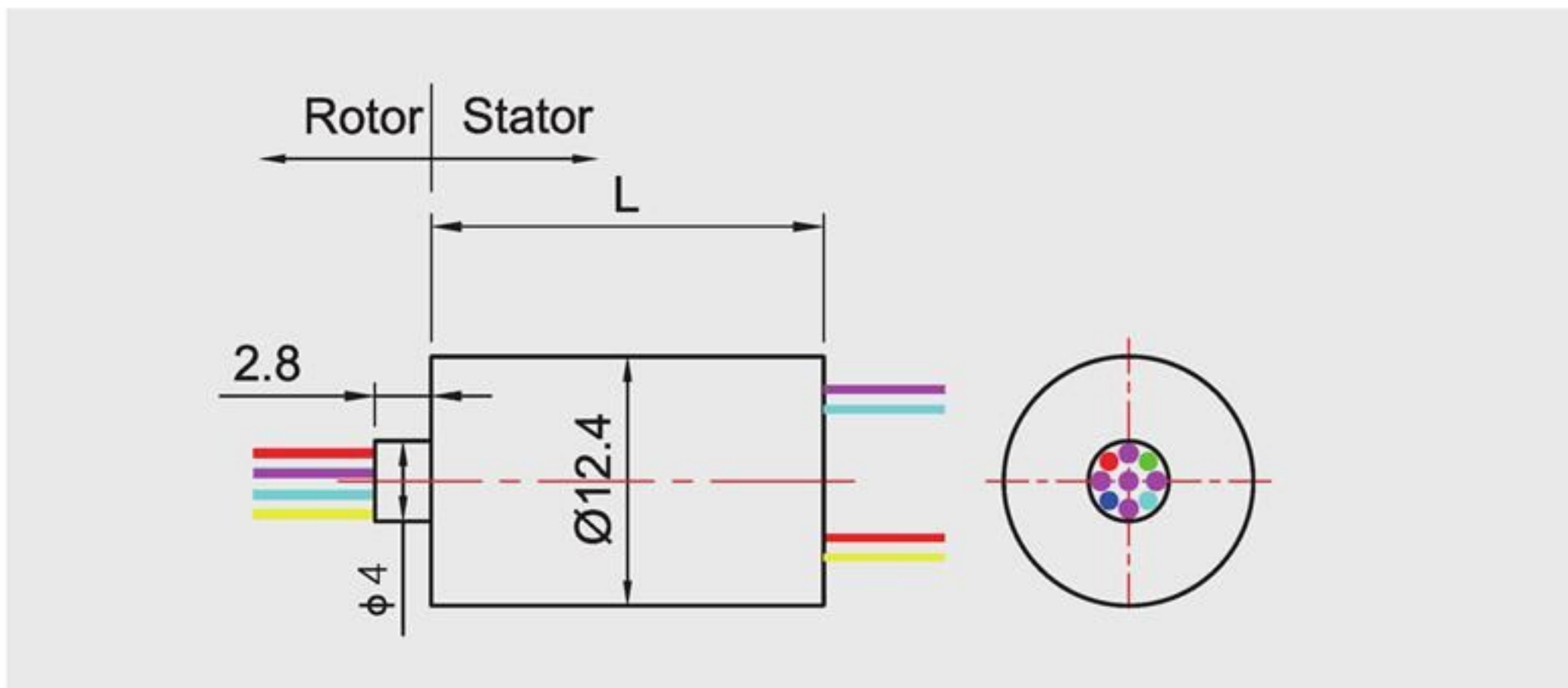


MODEL	L(mm)
SRC012-6	14
SRC012-12	19.5

SRC012C 系列帽型滑环

SRC022C Capsule Slip Ring

外形尺寸 OUTLINE DIMENSION 单位(UNIT) mm

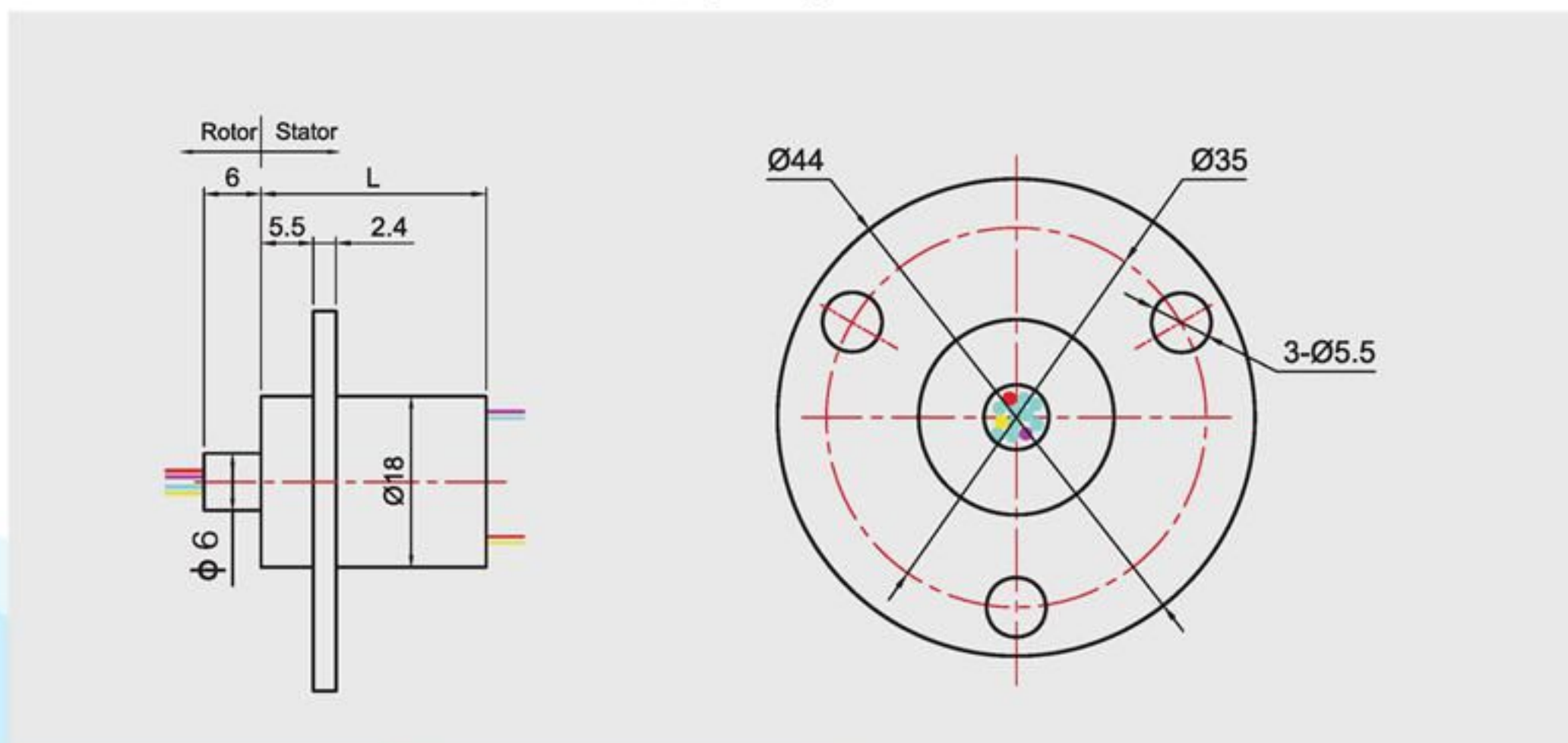


MODEL	L(mm)
SRC012C-6	14
SRC012C-12	19.5
SRC012C-18	23

SRC018 系列帽型滑环

SRC018 Capsule Slip ring

外形尺寸 OUTLINE DIMENSION 单位(UNIT) mm

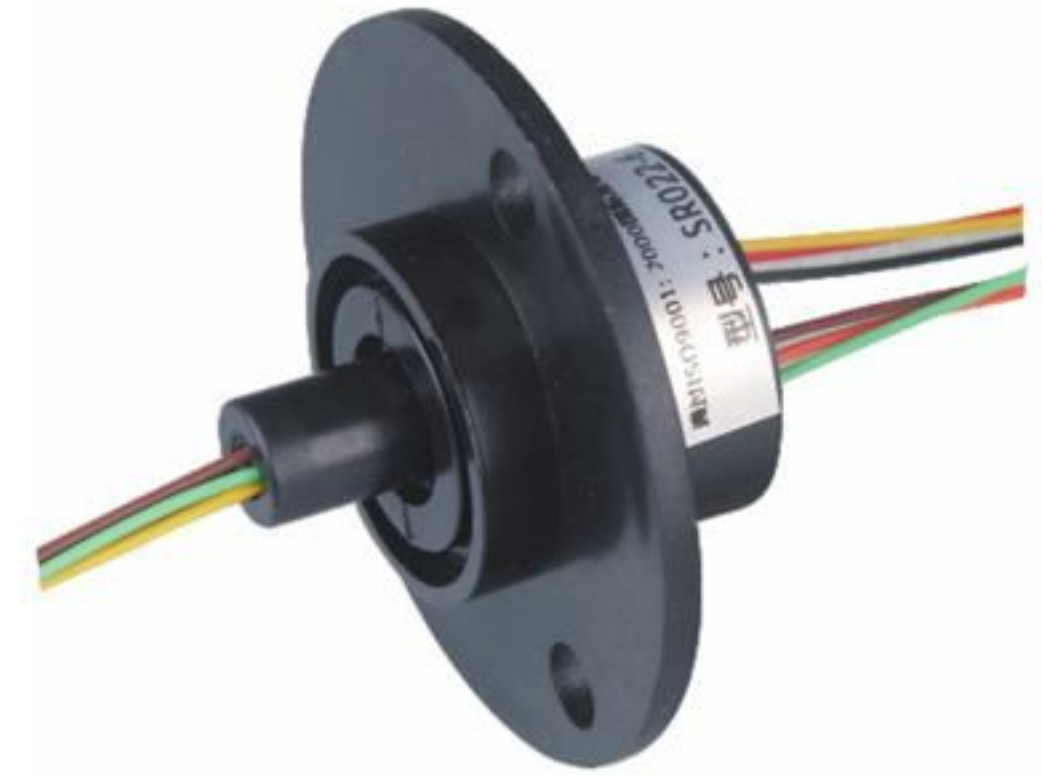
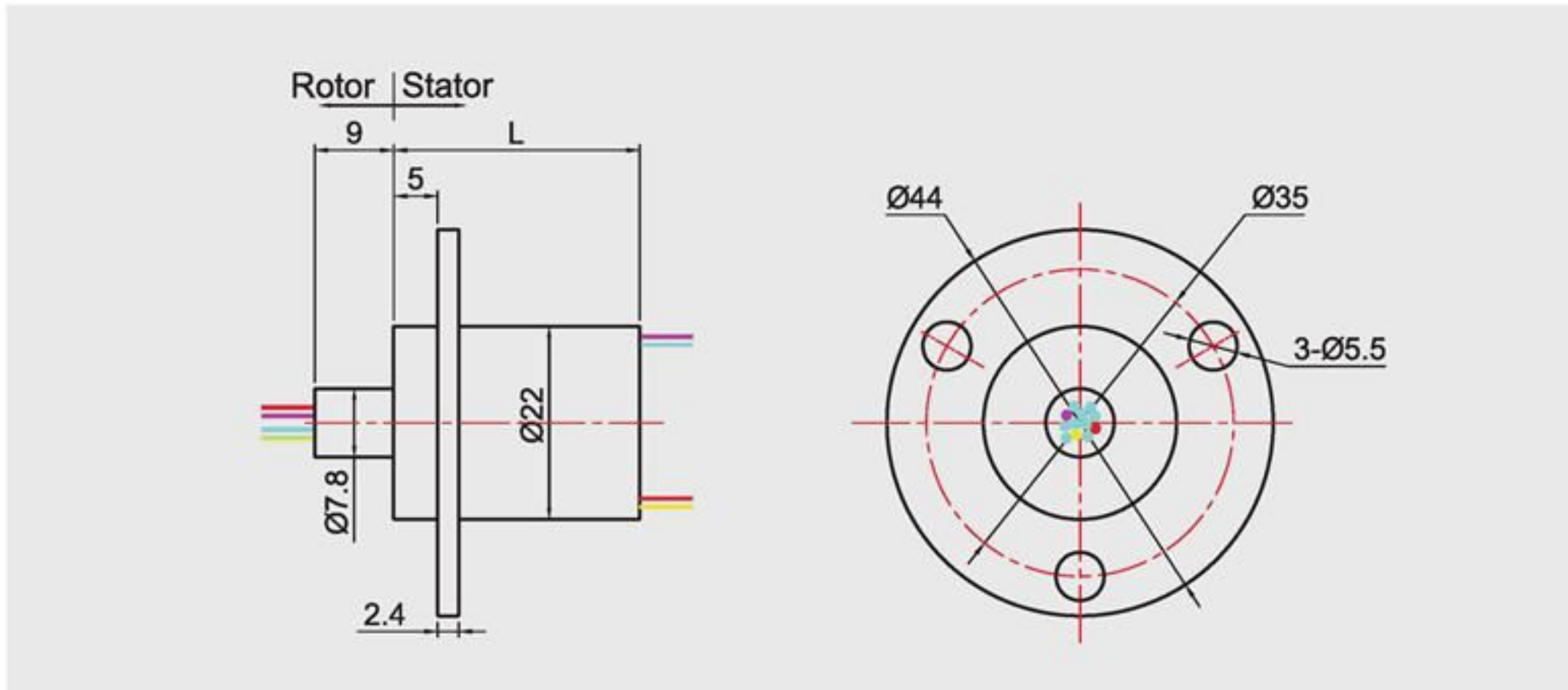


MODEL	L(mm)
SRC018-6	15.9
SRC018-12	23.7

SRC022 系列帽型滑环

SRC022 Capsule Slip Ring

外形尺寸 OUTLINE DIMENSION 单位(UNIT) mm



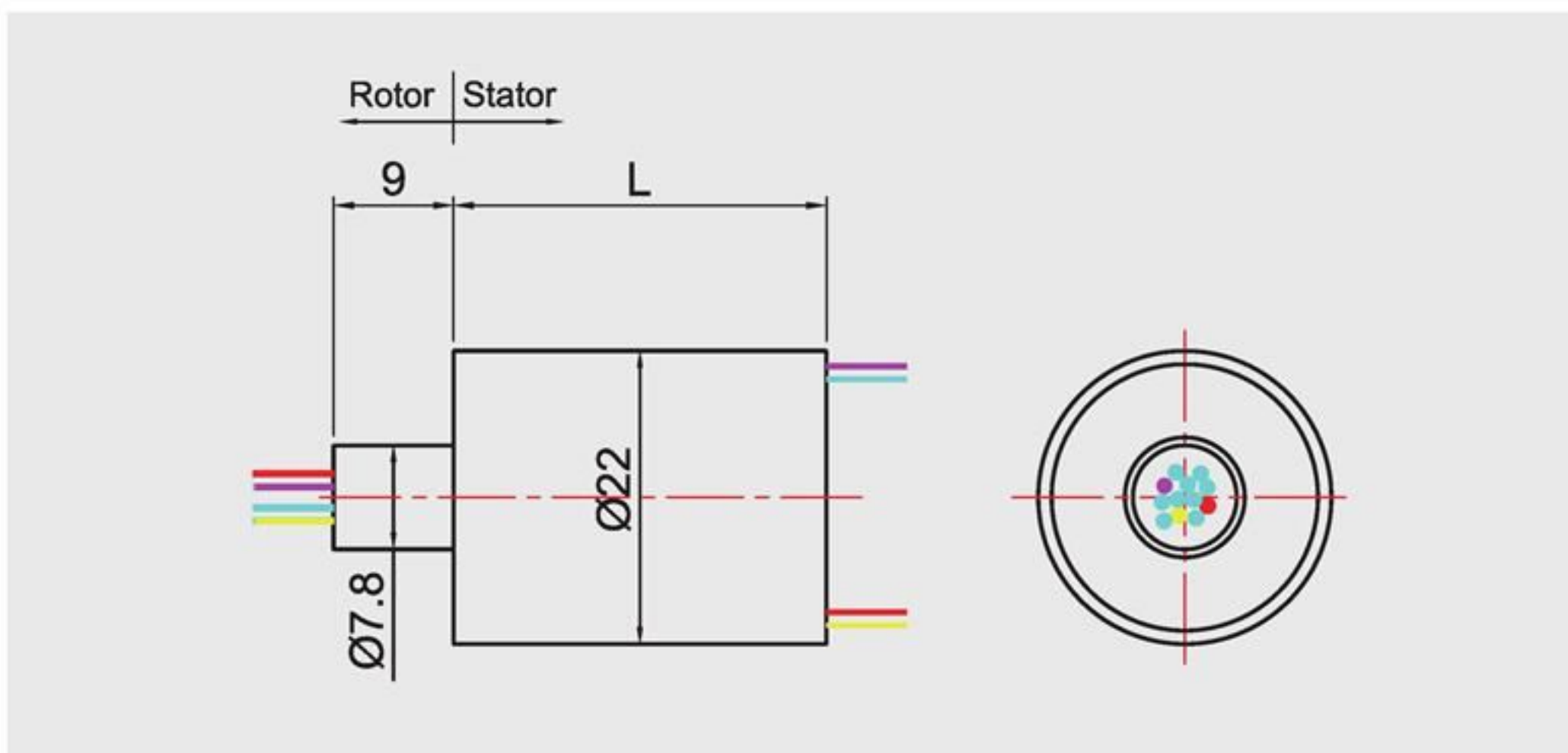
规格表 Specification List

型号 Model	路数 NO. of Circuits	额定电流 Rated Current			长度 "L"
		2	6	10	
SRC022-6	6	6			19
SRC022-7	7	7			19
SRC022-12	12	12			28
SRC022-12-2P/2S	4	2	2		28
SRC022-15	15	15			29.5
SRC022-18	18	18			33.4
SRC022-18-3P	3			3	33.4
SRC022-24	24	24			41.2
SRC022-24-4P/6S	10	6	4		41.2
SRC022-36	36	36			56.8

SRC022C系列帽型滑环

SRC022C Capsule Slip Ring

外形尺寸 OUTLINE DIMENSION 单位(UNIT) mm

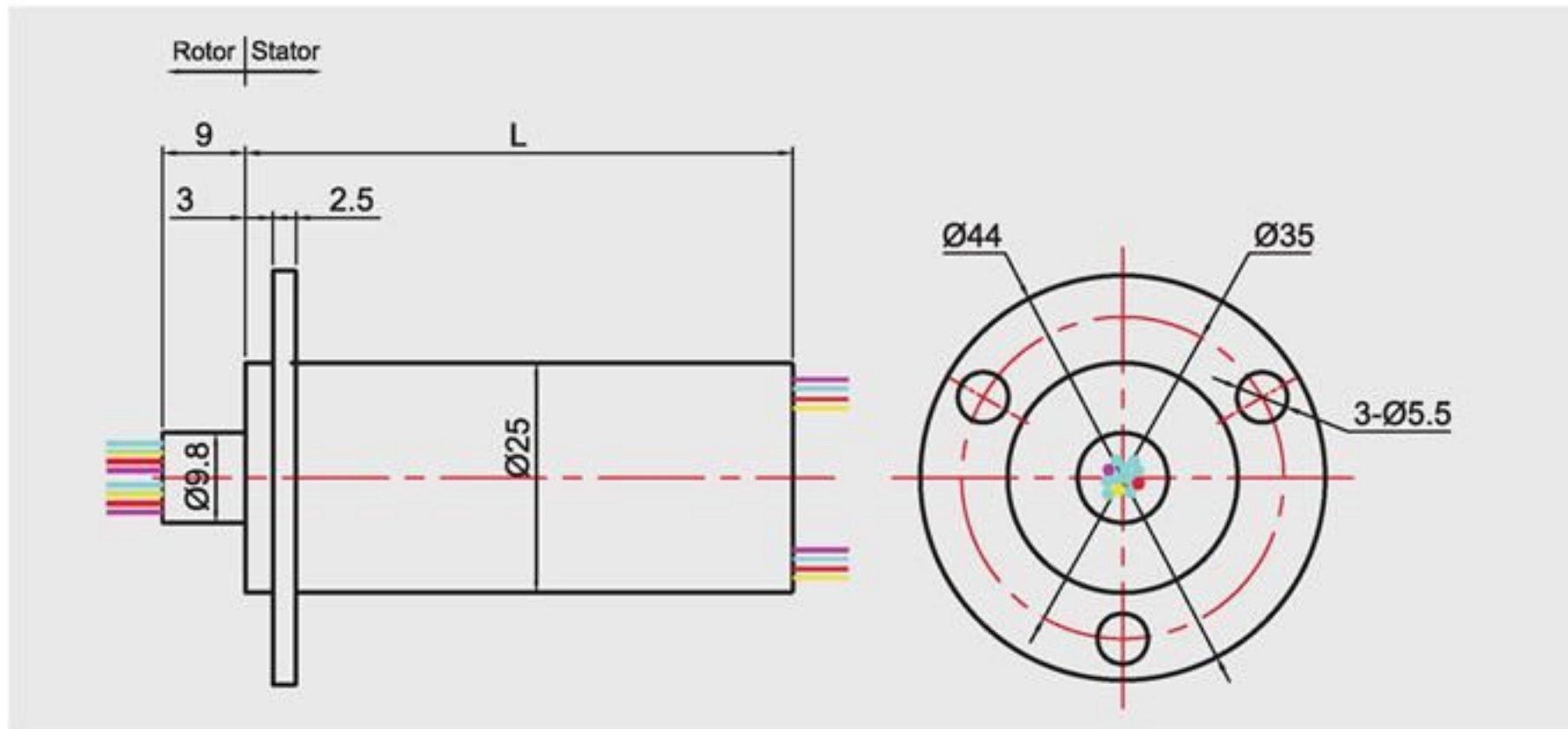


MODEL	L(mm)
SRC022C-6	19
SRC022C-12	28
SRC022C-18	33.4
SRC022C-24	41.2

SRC025 系列帽型滑环

SRC025 Capsule Slip Ring

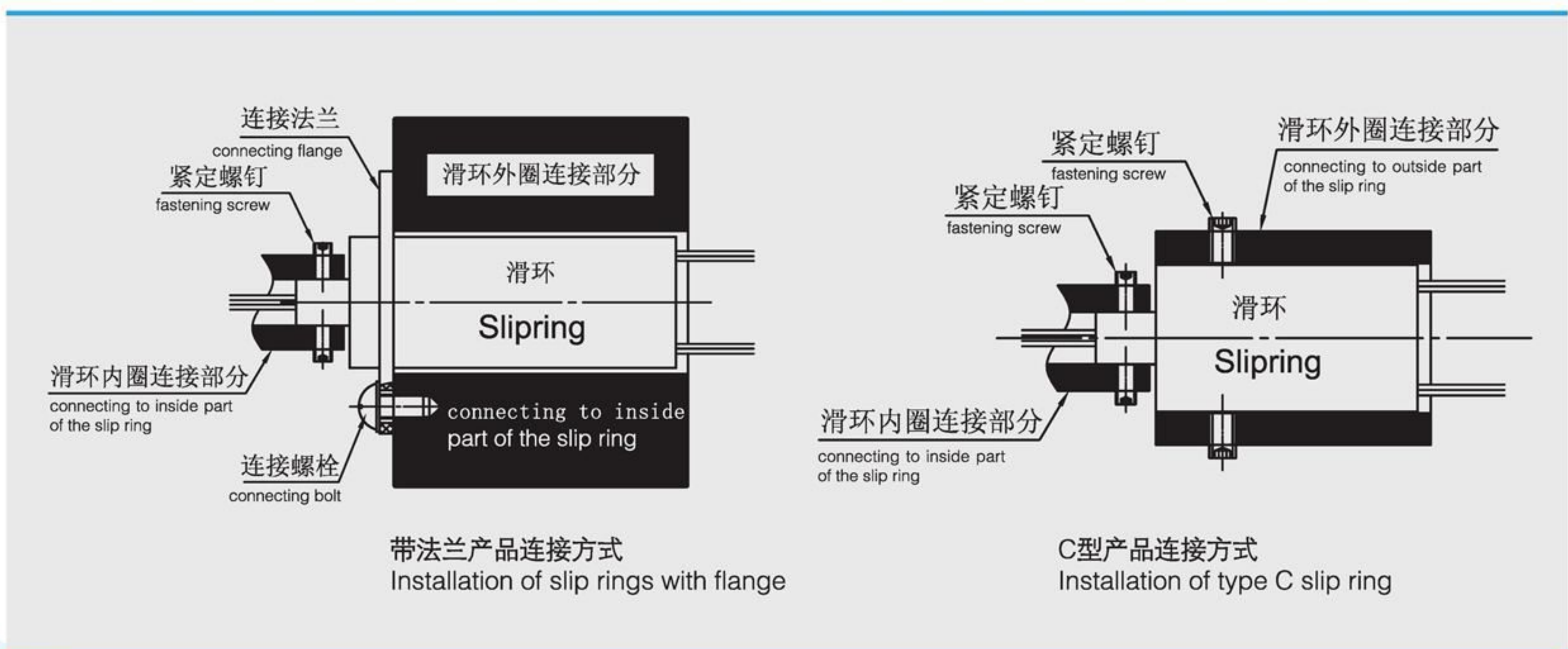
外形尺寸 OUTLINE DIMENSION 单位(UNIT) mm



机械技术指标 Mechanical Data

参数 Specification	数值 Values
额定转速 Rated Speed	0~300rpm
工作温度 Temperature Range	-20°C - +80°C
工作湿度 Operating Humidity	60%RH 或更高 60%RH or higher
接触材料 Contact Material	贵金属 Precious Metals
壳体材料 Housing Material	铝合金 Aluminum

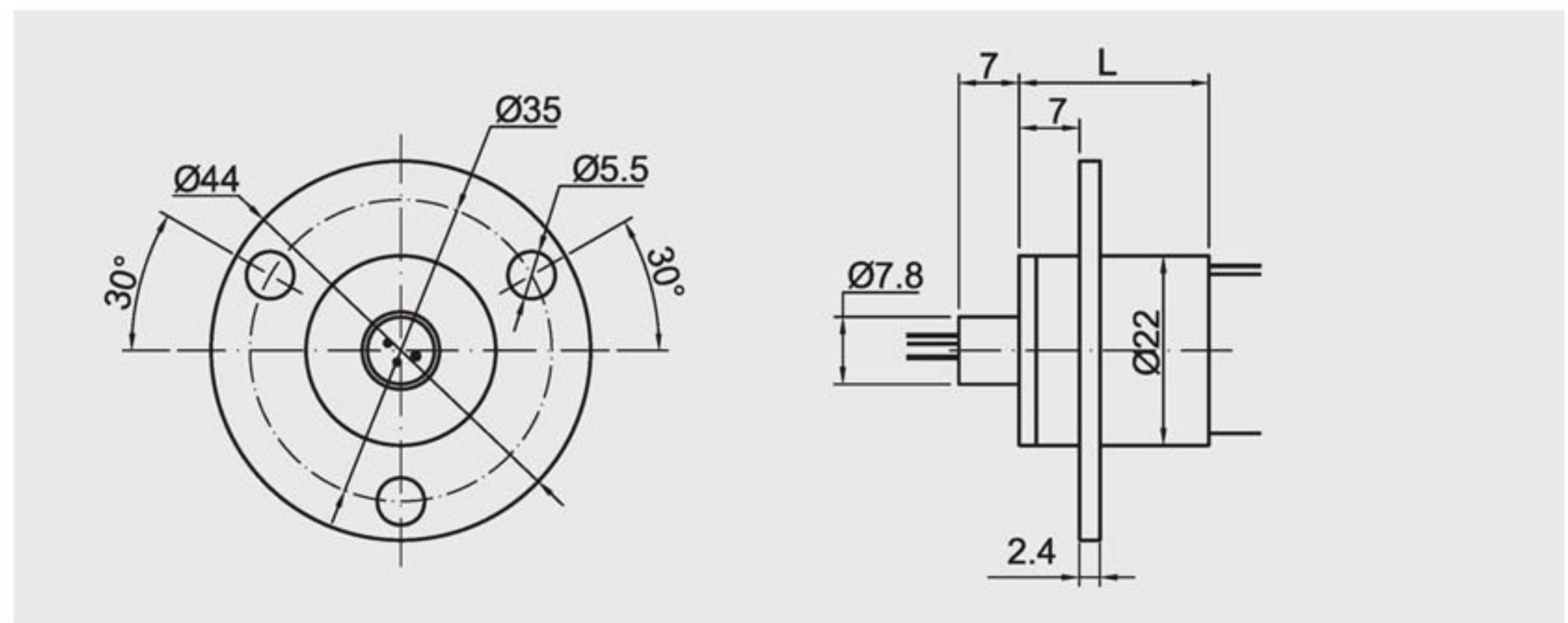
安装方式 Way of Installation



SRFW帽型小风电滑环

SRFW Series for Small Wind Turbine

外形尺寸 Outline Dimension



小风电功率 Power Output	100W	300W	600W	1000W	1500W	
滑环型号 Type	SRFW022-6-3P	SRFW022-15-3P	SRFW022-18-3P (P1)	SRFW022-24-3P1 (P2)	SRFW022-3P3	SRFW022-3P3/2S
额定电流 Current	3X4A	3X8A	3X12A (15A)	3X15A (20A)	3X30A	3X30A+2X5A
长度L (mm)	21	33	35.4	43.2	52.5	52.5
导线规格 Lead Size	AWG22 PTFE	AWG20 PTFE	AWG16 PTFE	AWG14 PTFE	AWG12 PTFE	AWG12+AWG22

电气技术指标 Electrical Data

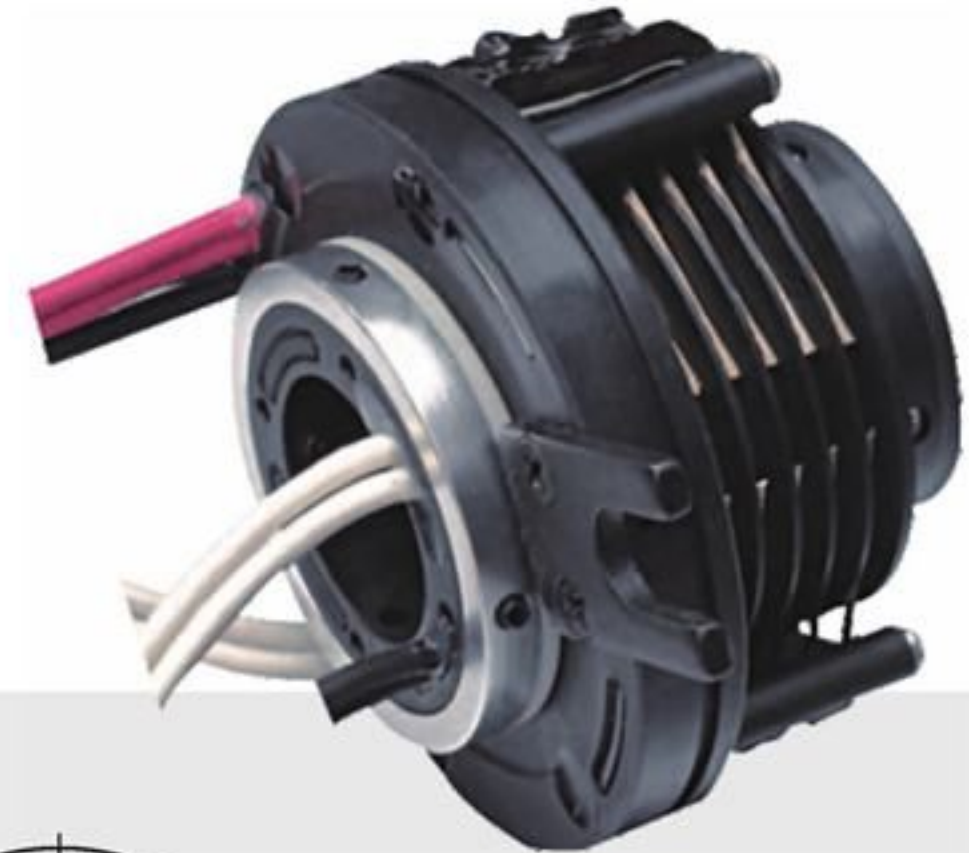
参数 Specification	数值 Values
路数 No. of Circuits	3
额定电压 Rated Voltage	240VAC/ VDC
导线颜色顺序 Lead color code	红、黑、白 RED、BLK、WHT
导线长度 Lead Length	250mm或根据客户要求提供 250mm (or as request)
绝缘体强度 Dielectric Strength	500VAC@50Hz, 60s
绝缘电阻 Insulation Resistance	500MΩ/500VDC
动态电阻变化值 Electrical Noise	< 0.01Ω

机械技术指标 Mechanical Data

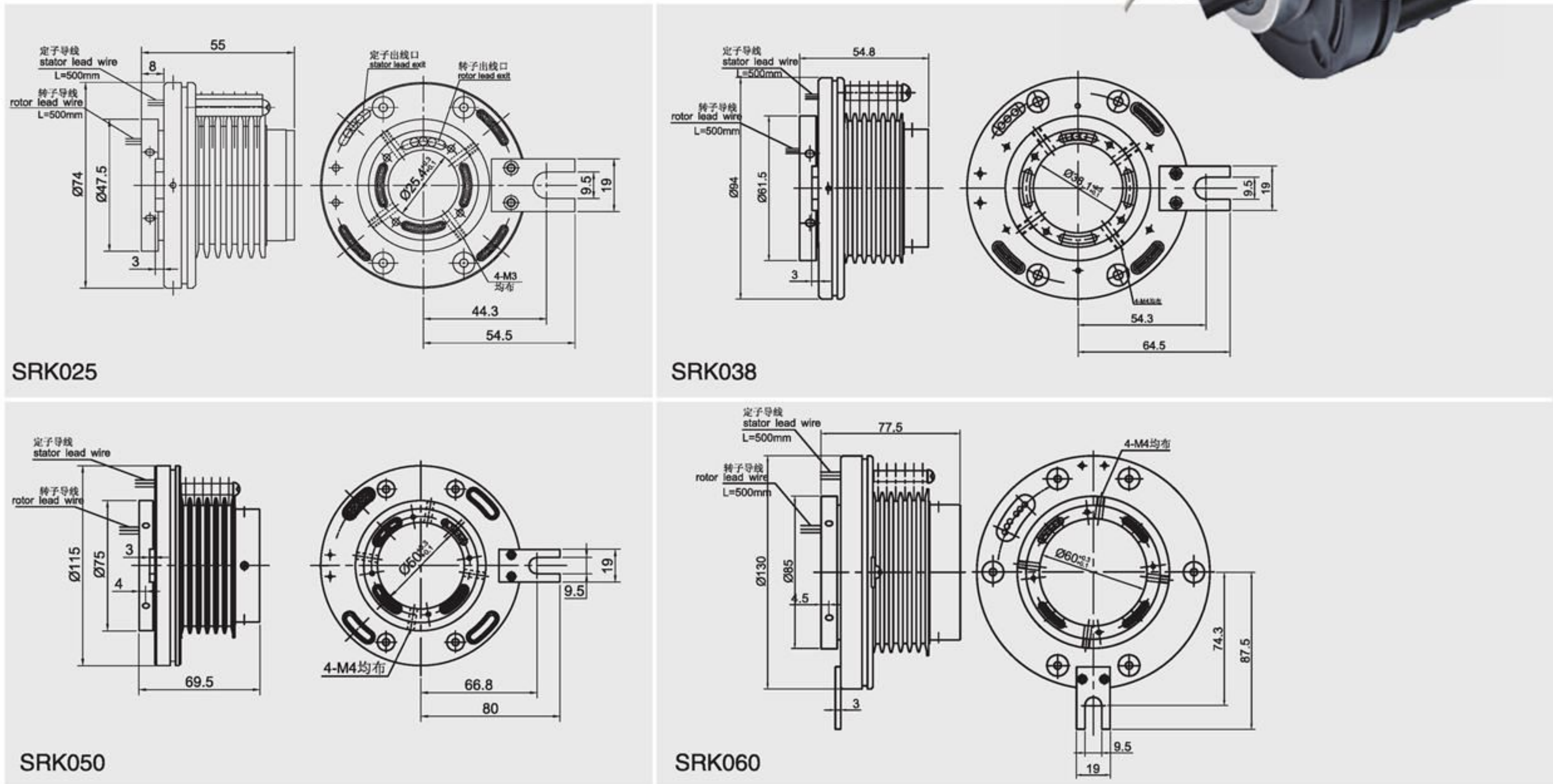
参数 Specification	数值 Values
额定转速 Rated Speed	0~300rpm
工作温度 Temperature Range	-40℃ - +80℃
工作湿度 Operating Humidity	60%RH 或更高 60%RH or higher
接触材料 Contact Material	贵金属 Precious Metals
壳体材料 Housing Material	工程塑料 Engineering Plastics

SRFK中小风电滑环（适用于1兆瓦以下）

SRFK Series for Small to Mid-Sized Wind Turbine (1MW-)



外形尺寸 Outline Dimension



电气技术指标 Electrical Data

参数 Specification	SRFK025-3P		SRFK038-3P		SRFK050-3P			SRFK060-3P		
额定电流 Rated Current	20A/环	40A/环	20A/环	40A/环	20A/环	40A/环	60A/环	20A/环	40A/环	60A/环
路数 No. of Circuits	3									
额定电压 Rated Voltage	0 - 380VAC/ 240VDC									
导线颜色顺序 Lead color code	红、黑、白 RED、BLK、WHT									
导线长度 Lead Length	500mm或根据客户要求提供 500mm (or as request)									
绝缘体强度 Dielectric Strength	500VAC@50Hz, 60s									
绝缘电阻 Insulation Resistance	500MΩ/500VDC									
动态电阻变化值 Electrical Noise	< 0.01 Ω									

注：P代表20A/环，P1代表40A/环，P2代表60A/环

机械技术指标 Mechanical Data

参数 Specification	数值 Values
额定转速 Rated Speed	0-300rpm
工作温度 Temperature Range	-40°C - +80°C
工作湿度 Operating Humidity	60%RH 或更高 60%RH or higher
接触材料 Contact Material	贵金属 Precious Metals

大风电滑环（适用于1.5兆瓦及以上）

Slip Ring for Big-Sized Wind Turbine (1.5MW+)

SRFW164-25-XMV

特点Characteristic



每个环道采用多触点技术设计，结构设计小巧紧凑，部件安装简单，更换快捷抗振动设计，完全满足风车箱房中的振动要求，抗粉尘设计，完全满足沙漠使用中的防尘要求，瞬间驱动电流可达60A，多通道信号传输，抗干扰设计，防护等级 IP 65。

Multi points contact on each ring, compact structure Easy for installation and components replacement Anti-vibration design Peak current up to 60A
Anti-interference design for signal transmission IP class IP 65

可选项 Optionals

- 可传输Profibus, CANbus, Fast Ethernet等总线数码 • 标准铝制箱体和外壳 • 装配法兰置于转子端部，能很好地与风机现用减速机相配
- 可选择光纤数据传输 可选择增量式或绝对值式编码器 • 采用德国HARTING工业标准插口或按客户要求 • 至少5年内无需保养
- 使用寿命20年以上或1.5亿转

Able to transmit Profibus, CAN-BUS and Fast Ethernet Protocols Cast Aluminium frame and housing Mounting flange in rotor side, well mating to the reducer
Optical channel available Incremental or absolute encoder available Use HARTING connectors or as request Free of maintenance in at least 5 years
Life circle 20 years or 150 million revolutions

典型应用 Typical Applications

风力发电机 Wind turbine

电气技术指标 Electrical Data

参数 Specification	数值 Values	
额定电压 Rated Voltage	主动力: 550VDC; 辅动力: 240VAC; 其它: 24VDC Main power: 550VDC; Supporting power: 240VAC; Others: 24VDC	
额定电流 Rated Current	主动力: 32A/环; 辅动力: 6A/环; 其它: 2A/环 Main power: 32A/Ring; Supporting power: 6A/Ring; Others: 2A/Ring	
绝缘体强度 Dielectric Strength	动力环 Power	≥2000VAC@50Hz, 60s;
	信号环 Signal	≥500VAC@50Hz, 60s;
绝缘电阻 Insulation Resistance	动力环 Power	≥1000MΩ/500VDC
	信号环 Signal	≥500 MΩ/500VDC
动态电阻变化值 Electrical Noise	≤10mΩ	

机械技术指标 Mechanical Data

参数 Specification	数值 Values
额定转速 Rated Speed	0~300rpm
工作温度 Operating Temperature	-40℃ - +80℃
工作湿度 Operating Humidity	60%RH 或更高 60%RH or higher
工作寿命 Estimated Life Cycle	≥10 × 10 ⁷ 转@30rpm
接触材料 Contact Material	贵金属 Precious Metals
壳体材料 Housing Material	金属 Metals
防护等级 Protection level	IP65

农业机械滑环

Agricultural Machinery Slip Ring

应用范围 Application Scope

农用机械 Agricultural machinery

产品规格 Product Specifications

11通道滑环通常安装在设备的旋转中心，主要由旋转与静止两大部分组成。

11 channel slip ring is usually installed in the center of rotation of the device, is composed of two parts of rotating and stationary.

产品特点 Product Features

喷灌机滑环通常安装在设备的旋转中心，主要由旋转与静止两大部分组成。旋转部分连接设备的旋转结构并随之旋转运动，称为“转子”，静止部分连接设备的固定结构的能源，称为“定子”。亚鼎电气在多个制造及使用领域技术突破并获得认可，等待您的咨询！

Watering machine slip ring is usually installed in the center of rotation of the device, is composed of two parts of rotating and stationary. Rotation structure of rotary part connecting device and rotates with the movement, known as the "rotor", the stationary part connecting device Fixing structure of energy, known as the "stator". Sub Ding electrical field of use technological breakthroughs and gaining recognition in many manufacturing and waiting for your inquiry!



电气技术指标 Electrical Data

参数 Specification	数值 Values
通路数 Path number	11路或根据客户定制
额定电压 Rated voltage	380VAC、240VAC/VDC
额定电流 Rated current	25A/路
导线规格 Wire specification	AWG12#
导线长度 The length of the wire	/
绝缘电阻 Insulation resistance	≥50MΩ/500VDC
绝缘体强度 Insulator strength	1000VAC/50Hz, 60s
动态电阻变化值 Dynamic resistance value	/

机械技术指标 Mechanical Data

参数 Specification	数值 Values
工作速度 The work speed	0~250rpm
工作温度 Working temperature	-40℃ ~ +80℃
工作湿度 Operating humidity	95%RH 或更高 95%RH or higher
接触材料 Contact material	碳刷接触 Carbon brush contact
环体材料 The ring body material	铸铁和工程塑料 Cast iron and engineering plastics
固定方式 Fixed mode	主轴固定 The main shaft fixing
传动方式 Transmission mode	主轴传动 The spindle drive
出线方式 Outlet way	端面出线 End of line

SRS45H94184-6T抓棉机滑环

SRS45H94184-6T plucker Slip Ring



产品特点 Product Features

该类滑环需根据客户的要求量身定制，通常结构比较复杂，多用于纺织机械及大型的机械设备上。

The slip ring is required according to the customer requirements tailored is usually more complex structure, higher technology products, used for military equipment and large mechanical equipment on.

电气技术指标 Electrical Data

参数 Specification	数值 Values
通路数 Path number	6、8、12路或根据客户定制
额定电压 Rated voltage	380VAC、240VAC/VDC
额定电流 Rated current	25A/路
导线规格 Wire specification	AWG12#
导线长度 The length of the wire	/
绝缘电阻 Insulation resistance	≥50MΩ/500VDC
绝缘体强度 Insulator strength	1000VAC/50Hz,60s
动态电阻变化值 Dynamic resistance value	/

机械技术指标 Mechanical Data

参数 Specification	数值 Values
工作速度 The work speed	0~250rpm
工作温度 Working temperature	-40℃ ~ +80℃
工作湿度 Operating humidity	95%RH 或更高 95%RH or higher
接触材料 Contact material	碳刷接触 Carbon brush contact
环体材料 The ring body material	铸铁和工程塑料 Cast iron and engineering plastics
固定方式 Fixed mode	主轴固定 The main shaft fixing
传动方式 Transmission mode	主轴传动 The spindle drive
出线方式 Outlet way	端面出线 End of line

整体式滑环 Integral Slip Ring

产品特点 Product Features

该类滑环需根据客户的要求量身定制，通常是结构比较复杂，技术含量比较高的产品，多用于军事设备及大型的机械设备上。

The slip ring is required according to the customer requirements tailored is usually more complex structure, higher technology products, used for military equipment and large mechanical equipment on.



电气技术指标 Electrical Data

参数 Specification	数值 Values
通路数 Path number	4路
额定电压 Rated voltage	380VAC、240VAC/VDC
额定电流 Rated current	25A/路
导线规格 Wire specification	-
导线长度 The length of the wire	-
绝缘电阻 Insulation resistance	$\geq 500M\Omega / 500VDC$
绝缘体强度 Insulator strength	1500VAC/50Hz, 60s
动态电阻变化值 Dynamic resistance value	$< 0.01\Omega$

机械技术指标 Mechanical Data

参数 Specification	数值 Values
工作速度 The work speed	0~500rpm
工作温度 Working temperature	-20°C~+80°C
工作湿度 Operating humidity	60%RH 或更高 60%RH or higher
接触材料 Contact material	碳刷接触 Carbon brush contact
环体材料 The ring body material	PC
固定方式 Fixed mode	止转片固定 The rotation stopping piece is fixed
传动方式 Transmission mode	主轴传动 The spindle drive
防护等级 Protection grade	IP51

特点 Features

用于单模或多模系统的光电旋转连接 • 完全的双向旋转 • 与现有的电气滑环设计相融合 • 全封闭结构 • 能为客户量身定制所需要的产品
 Optical and electrical rotary connection for single mode or multi mode systems Bidirectional Integrated FORJ with electrical slip ring Full closed structure
 Able to offer customized solutions

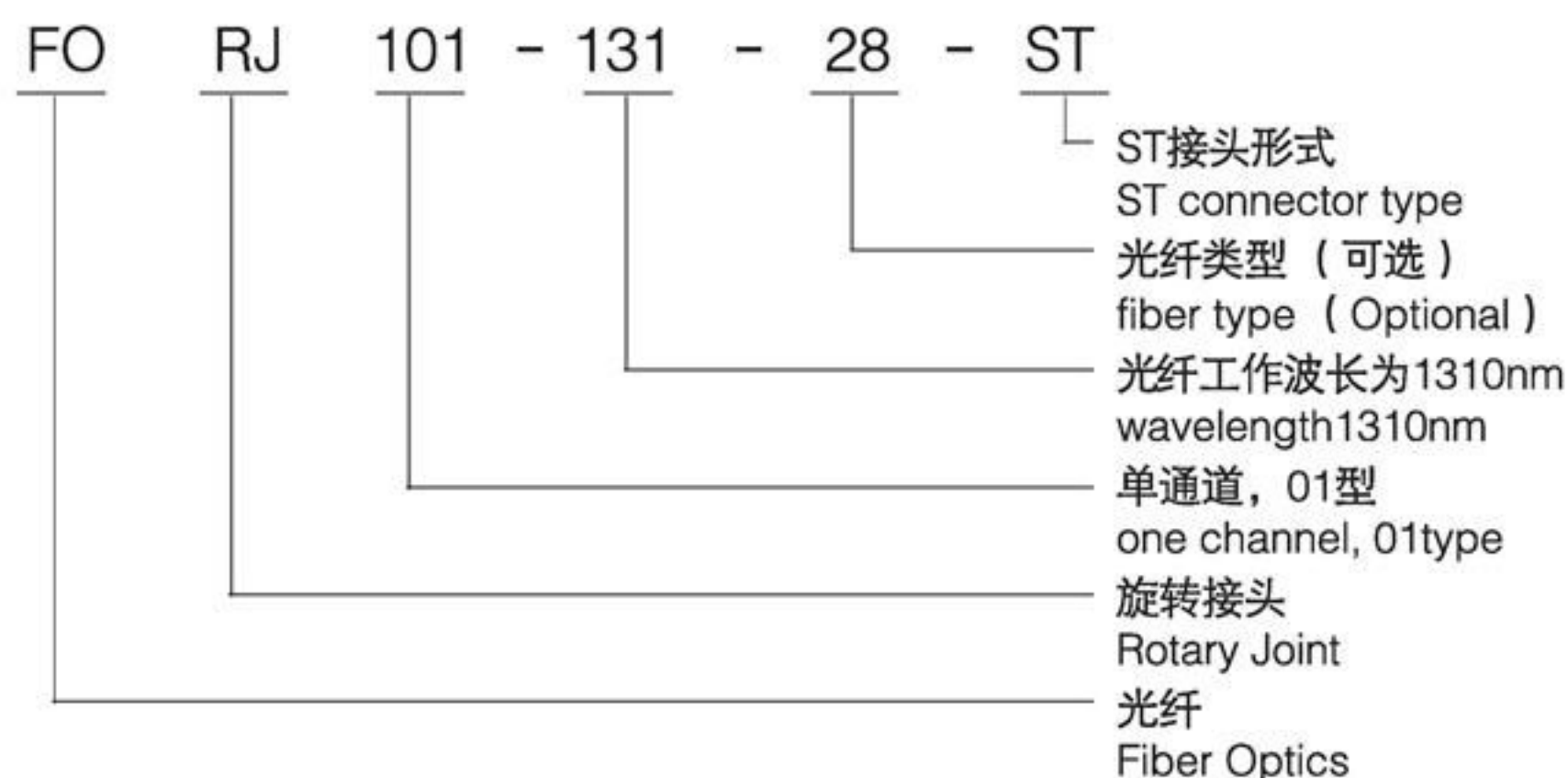
可选项 Optionals

- 各种光纤尺寸和跳线长度 Various fiber types and pigtail lengths
- 光通道数 Number of optical channels
- 光纤类型 Fiber type
- 光纤接头 Connector type
- 光纤长度 Fiber length

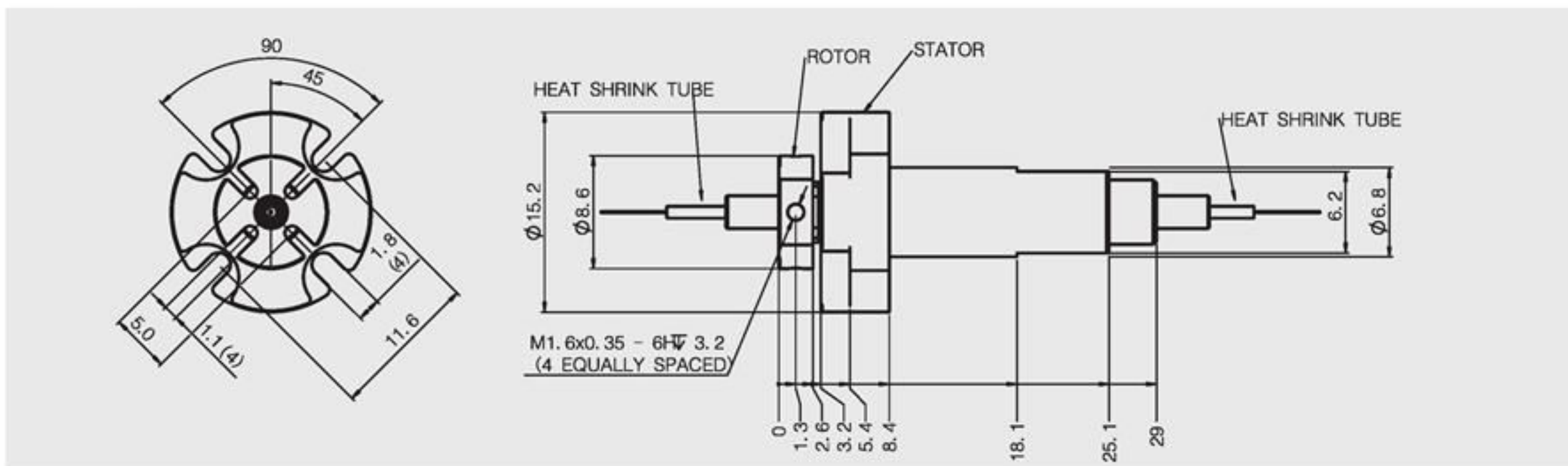
典型应用 Typical Applications

- 长距离(>10km)传输 Long distance data transmission
- 高速数据传输 High speed data transmission

型号选用说明 Model explanation



FORJ101微型光纤旋转接头 FORJ101 miniature size



技术指标 Technical Data

参数 Specification	数值 Values			
型号 Model	FORJ101	FORJ102	FORJ103	FORJ104
波长范围 Wavelength range	650-1650 nm		850-1650 nm	
插损 Insertion loss	<2 dB (典型值typica: <0.5 dB)		<3dB	
插损偏差 Insertion loss ripple	< ±0.25 dB (典型值typica: ±0.15 dB)			
回损 Return loss	>40 dB (典型值typica: 45 dB, 23 C)		>30 dB	
最大转速 Maximum speed	2,000 rpm			
抗拉强度 Pulling strength	10 N (900 um 外护套buffer)			
启动扭矩 Start up torque	<0.01 Nm			
使用寿命 Estimated life cycle	200-400 million revolutions			
允许最大光功率 Optical power handling	23 dBm			
工作温度 Working temperature	-40 - 65°C			
存贮温度 Storage temperature	-50 - 85°C			
封装型式 Package style	两端尾纤Pigtails on both ends			
壳体材料 Housing material	不锈钢Stainless Steel			
光纤类型 Fiber types	单模光纤或多模光纤 3mm外护套 Single or multimode w/3 mm jacket (Kevlar/PVC)			
连接器类型 Connector types	FC, SC, ST, SMA, or LC(and APC finishes)		ST座	FC座
重量 Weight	10 g	≈50 g	≈50 g	≈50 g
振动 Vibration	MIL-STD-167-1A			
机械冲击 Mechanical shock	MIL-STD-810G			
防护等级 IP rating	IP 68			

SHFRJ 高频滑环

SHFRJ High Frequency Slip Ring

特点 Features

体积小 Small in size 频率高 High frequency 重量轻 Light in weight 衰减少 Low attenuation 插损小 Low insertion loss

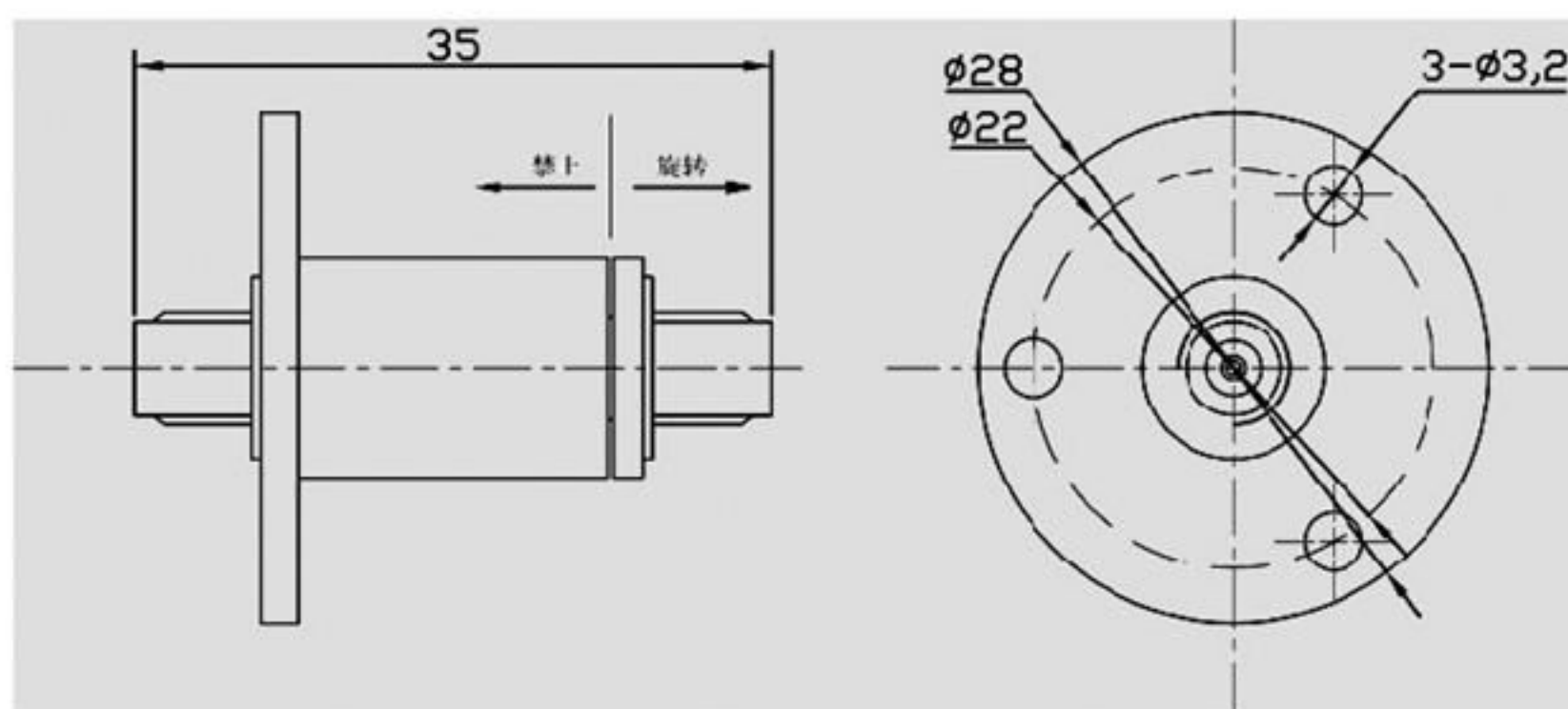
可选项 Optionals

连接电缆 Free lead connection 法兰尺寸 Flange dimension

典型应用 Typical Applications

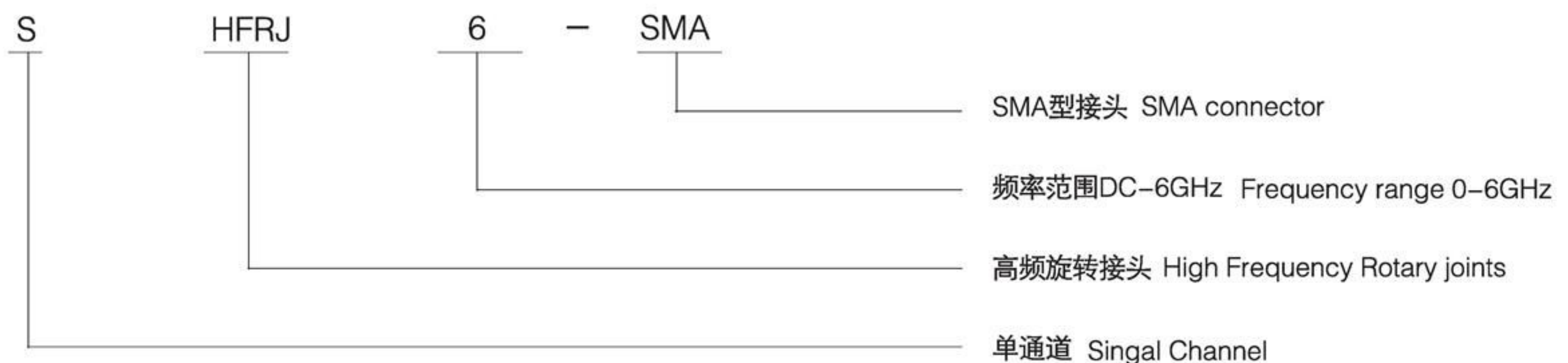
模拟高频电子系统，如：雷达、天线、视频等信号的传输
Analogue high frequency electronic system like radar, antenna etc.

外形尺寸 OUTLINE DIMENSION 单位(UNIT) mm



参数 Specification	数值 Values
频率范围(GHz) Frequency range	0~6 0~12.4
VSWR电压驻波比 Max VSWR WOW/360 degrees	1.3
驻波比动态变化值 Insertion loss	0.05
插入损耗dB(Max)	0.2
插入损耗动态变化值 Insertion loss -wow dB(Max)	0.05
峰动力(kW) Peak power	2
平均 (W@1.0GHz) Average power	50
额定转速 Rated Speed(rpm)	200
接头形式 Connectors	SMA

型号说明 Model Explanation



SRD040-3P/17S 盘式导电滑环

SRD040-3P/17S Pancake Slip Ring

特点 Features

厚度小, 节省空间
Low in height
动力及信号混走
Combination of power and signal transmission
抗干扰设计
Anti-interference

可选项 Optionals

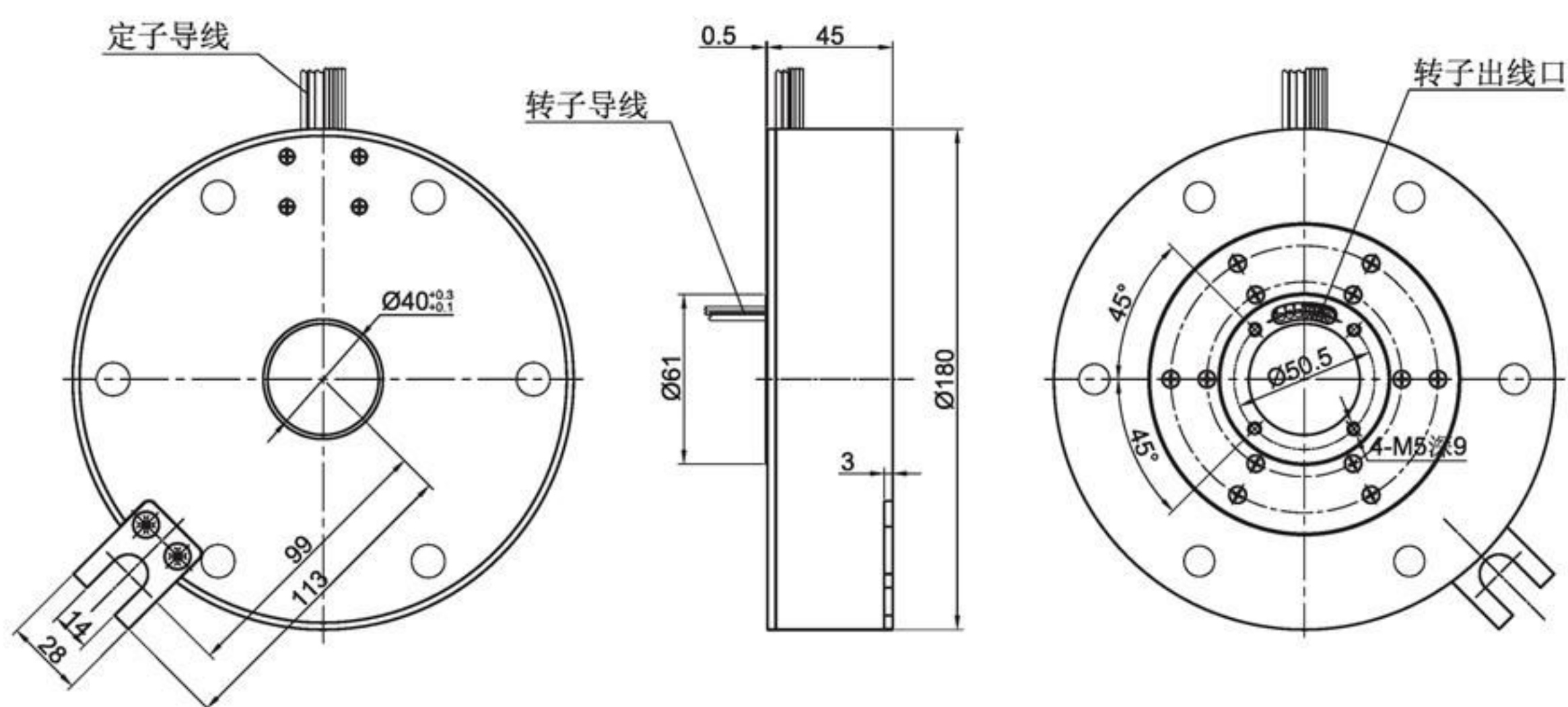
导线长度 Lead length
端子类型 Terminal type
安装方式 Way of installation

典型应用 Typical Applications

旋转门 Revolving door



外形尺寸 Outline Dimension



电气技术指标 Electrical Data

参数 Specification	数值 Values
路数 NO. of Circuits	20
额定电流 Rated Current	15A/路, 3路; 5A/路, 17路 15A/ring (power), 3 rings; 5A/ring (signal), 17rings
导线规格 Lead Size	镀锡导线、铁氟龙绝缘AWG16 tin plated, PTFE insulated or PVC
导线长度 Lead Length	500/1000mm或根据客户要求提供 500/1000mm (or as request)
绝缘体强度 Dielectric Strength	500VAC@50Hz, 60S
绝缘电阻 Insulation Resistance	≥500MΩ/500VDC

机械技术指标 Mechanical Data

参数 Specification	数值 Values
额定转速 Rated Speed	0~250rpm
工作温度 Temperature Range	-20°C - +80°C
工作湿度 Operating Humidity	60%RH 或更高 60%RH or higher
接触材料 Contact Material	贵金属 Precious Metals
壳体材料 Housing Material	铝合金 Aluminum
防护等级 Protection level	IP51



ADIA 亚鼎电气

水银滑环系列

MERCURY SLIP RING



构造与功能 Structure and Function

旋转连接器利用特殊密封，绝缘及导电技术制成，其外壳为阳极处理铝合金或不锈钢材料。用于任何旋转体之信号如微小电压、电流、EMF、热电偶、Strain gauge、影音讯号、高频、电脑讯号及电力的接须。另有符合CE RoHS规格之产品，请来电洽谈。

The Asiantool rotating electrical connectors are using the special insulation, sealings, and conductive technologies. The out case material is the aluminum alloy or stainless steel. They are used for any kind of rotating objects of signals like micro voltage, current, EMF, thermo couple, strain gauge, audio, video, high frequency etc and electric power connections. All types can fill CE RoHS liquid metal, please contact US, for details.

用途 Application

旋转工作盘之信号及电力之接入

电阻切割机

水平镀铜线

旋转舞台

电缆卷筒

圆形珍机械

染色设备

机器手臂

旋转灯箱

手术灯

旋转镀银线

旋转摄影机

包装机

热滚机

压模机

绕线机

LED广告灯

风力发电机

管内摄影机

- Index table for signal and power connection
- Resistors cutting machine
- Speed dome camera
- Package machine
- Heating roller
- Lamilating
- Winding machine
- Spinning LED sign board
- Wind turbines
- Electro plating line
- Rotary stage
- Cable wheel
- Circle knitting machine
- Coloring device
- Robots
- Rotary lampbox
- Medical Equipments



技术规格 Technical Data

型号 Model	级数 Conductor poles	电流 Current Amp	耐压 Voltage AC/DC V	频率 Max.Freq MHZ	最大转速 Max.RPM	使用温度 The use of temperature	转矩 Rotation moment	绝缘阻抗 Insulation Resistance
A1M	1	10		200	3600	60/-30	35	
A1MT	1	10		200	3600	60/-30	35	
A1M2	1	20		200	2000	60/-30	50	
A1M5	1	50		200	1800	60/-30	70	
A1HH	1	250		200	1200	60/-30	250	
A1H25S	1	250		200	1200	60/-30	250	
A1H25PS	1	250		200	1200	60/-30	250	
A1H35S	1	350		200	800	60/-30	300	
A1H50PS	1	500		200	300	60/-30	700	
A1H65S	1	650		200	200	60/-30	1000	
A1H65PS	1	650		200	200	60/-30	1000	
A1H90PS	1	900		200	200	60/-30	1100	
A1H150PS	1	1500		200	100	60/-30	2000	
A1H300PS	1	3000		200	30	60/-30	3000	

技术规格 Technical Data

型号 Model	级数 Conductor poles	电流 Current Amp	耐压 Voltage AC/DC V	频率 Max.Freq MHZ	最大转速 Max.RPM	使用温度 The use of temperature	转矩 Rotation moment	绝缘阻抗 Insulation Resistance
A1H500FS	1	5000		200	50	60/-30	4000	
A1H750FS	1	7500		200	50	60/-30	6000	
A2S	2	4	250	200	2000	60/-30	75	> 25MΩ
A3S	3	4	250	200	1800	60/-30	100	> 25MΩ
A3S-W	3	4	250	200	1800	60/-30	100	> 25MΩ
A4S-W	4	4	250	200	1200	60/-30	150	> 25MΩ
A2H	2	30	250	200	1800	60/-30	200	> 25MΩ
A3H	3	30/4	250	200	1800	60/-30	200	> 25MΩ
A3M-W-W	3	40	250	200	1800	60/-30	200	> 25MΩ
A3H	3	30	250	200	1200	60/-30	400	> 25MΩ
A4H	4	30/4	250	200	1200	60/-30	400	> 25MΩ
A6H	6	30/4	250	100	300	60/-30	700	> 25MΩ
A8H	8	30/4	250	100	200	60/-30	1000	> 25MΩ
A1030	10	30/4	250	100	100	60/-30	1500	> 25MΩ
A1230	12	30/4	250	100	60	60/-30	2000	> 25MΩ
A1430	14	30/4	250	100	60	60/-30	2000	> 25MΩ
A2H6	2	60	250	200	600	60/-30	400	> 25MΩ
21005W	7	100/4	250	100	100	60/-30	1500	> 25MΩ
A2HV	2	30	500	100	400	60/-30	400	> 25MΩ
A3HV	3	30	500	100	300	60/-30	700	> 25MΩ
A4HV	4	30	500	100	200	60/-30	1000	> 25MΩ
A5HV	5	30	500	100	100	60/-30	1500	> 25MΩ
A6HV	6	30	500	100	60	60/-30	2000	> 25MΩ
A7HV	7	30	500	100	60	60/-30	2000	> 25MΩ

ZS 中心集电器 ZS Collector Rings

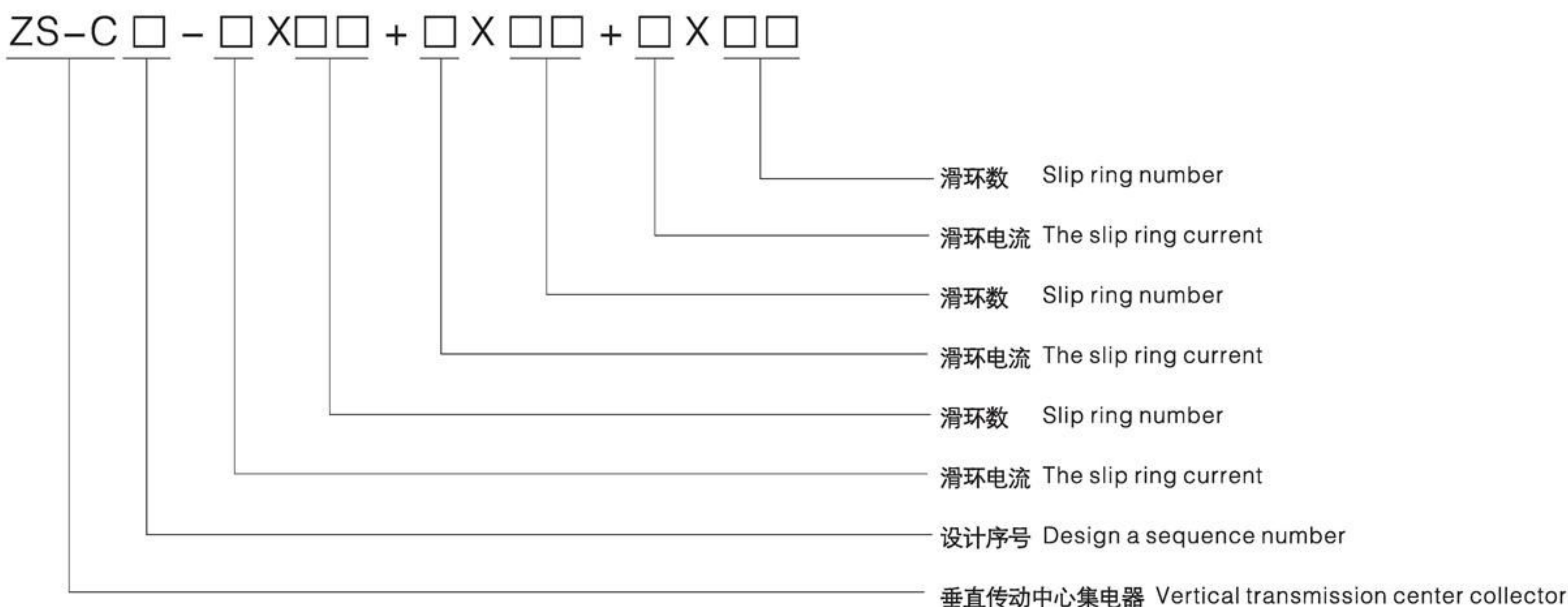
产品介绍 Product Introduction

中心集电器就是将电力从固定设备传送到转动设备的一种装置，通过弹簧压缩碳刷，使之与铜环永久接触，确保电流转换稳定。产品主要用于相对部件作圆周运动时的动力传输和信号传导。例：港口门座式起重机，固定吊等具有旋转要求



Central collector is to transfer power from a fixed equipment to a device of rotating equipment, through the spring compression carbon brush, make contact with the copper ring permanent, ensure a steady current conversion. Products are mainly used for relative parts make circular motion of the power transmission and signal transduction. Example: the port portal crane, fixed crane with rotation requirement

型号选用说明 Model Explanation



尺寸及电流 The Size and Current

传动方式 The transmission way	型号 model	穿孔直径A Perforation diameter a.	穿孔直径B Perforation diameter B	外形尺寸 Overall dimensions	传动爪外径D Drive claw diameter D	滑环电流额定值 Slip ring current rating		
下传动	ZS-C1(C61)	Φ 140	Φ 380	Φ 425	Φ 200	400A	63A	10A
	ZS-C3	Φ 190	Φ 450	Φ 500	Φ 260	630A	63A	10A
上传动	ZS-C2(C62)	Φ 140	Φ 380	Φ 425	Φ 200	400A	63A	10A
	ZS-C4	Φ 140	Φ 450	Φ 500	Φ 260	630A	63A	10A

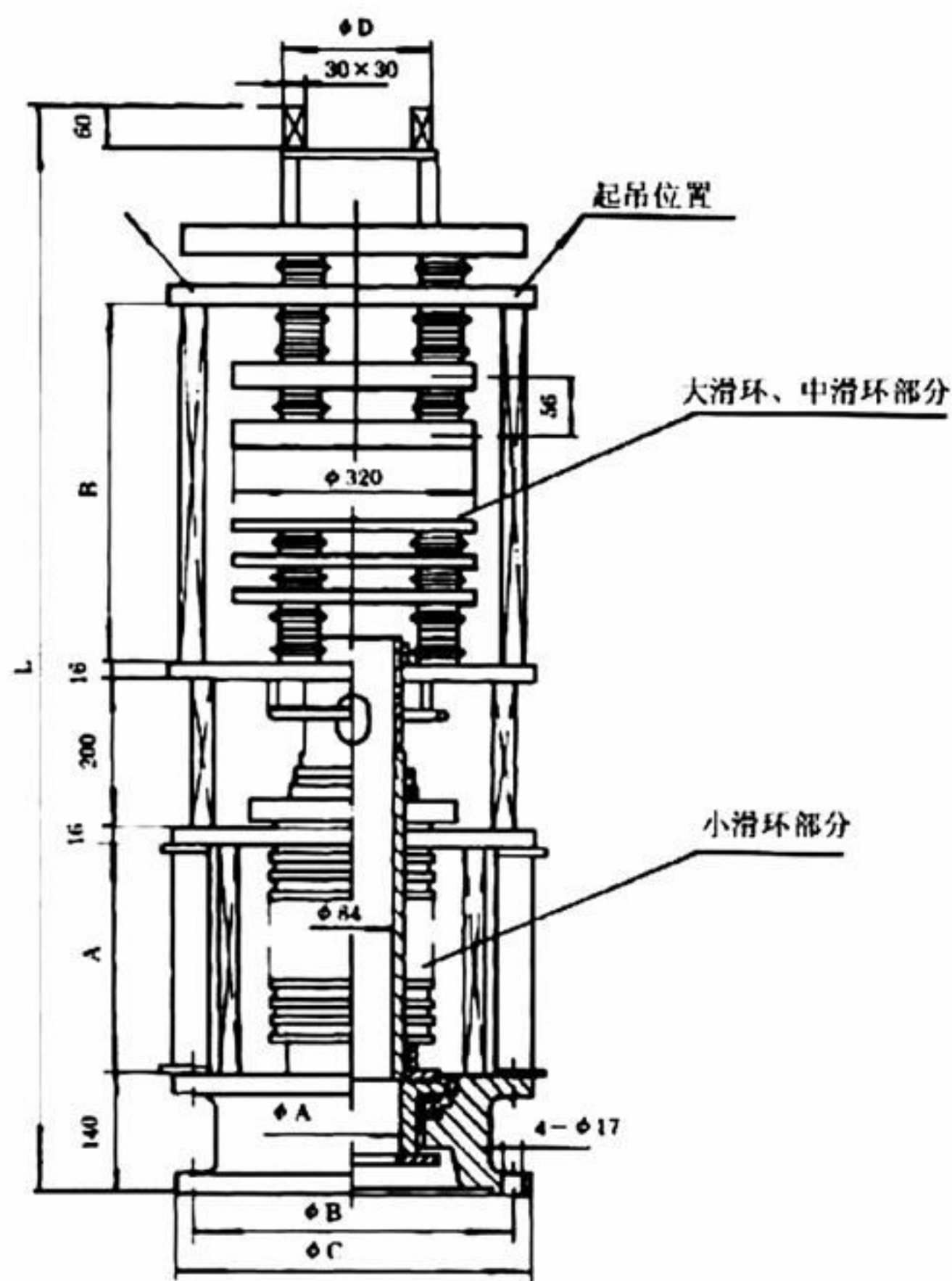
刷架导线配置表 Brush Holder Conductor Configuration Tables

滑环种类 Slip Ring Type	单环承载电流 Monocyclic Loading Current	导线面积 (平方毫米) Conductor (square Millimeters)	碳刷数量 Number Of Carbon Brush
大滑环	630	150或2 X 75	4
	400	120	3
中滑环	63	16	2
小滑环	10	2.5	1

滑环数量n取值表 Slip Ring Number N Value Table

集电器型号 Collector Type 滑环电流 The Slip Ring Current	ZS-C1	ZS-C2	ZS-C3	ZS-C4	ZS-C61	ZS-C62
630A	-	-	1-10	1-10	-	-
400A	1-10	1-10	1-40	1-40	1-50	1-50
63A	1-40	1-40	-	-	1-50	1-50
10A	1-60	1-60	1-60	1-60	-	-

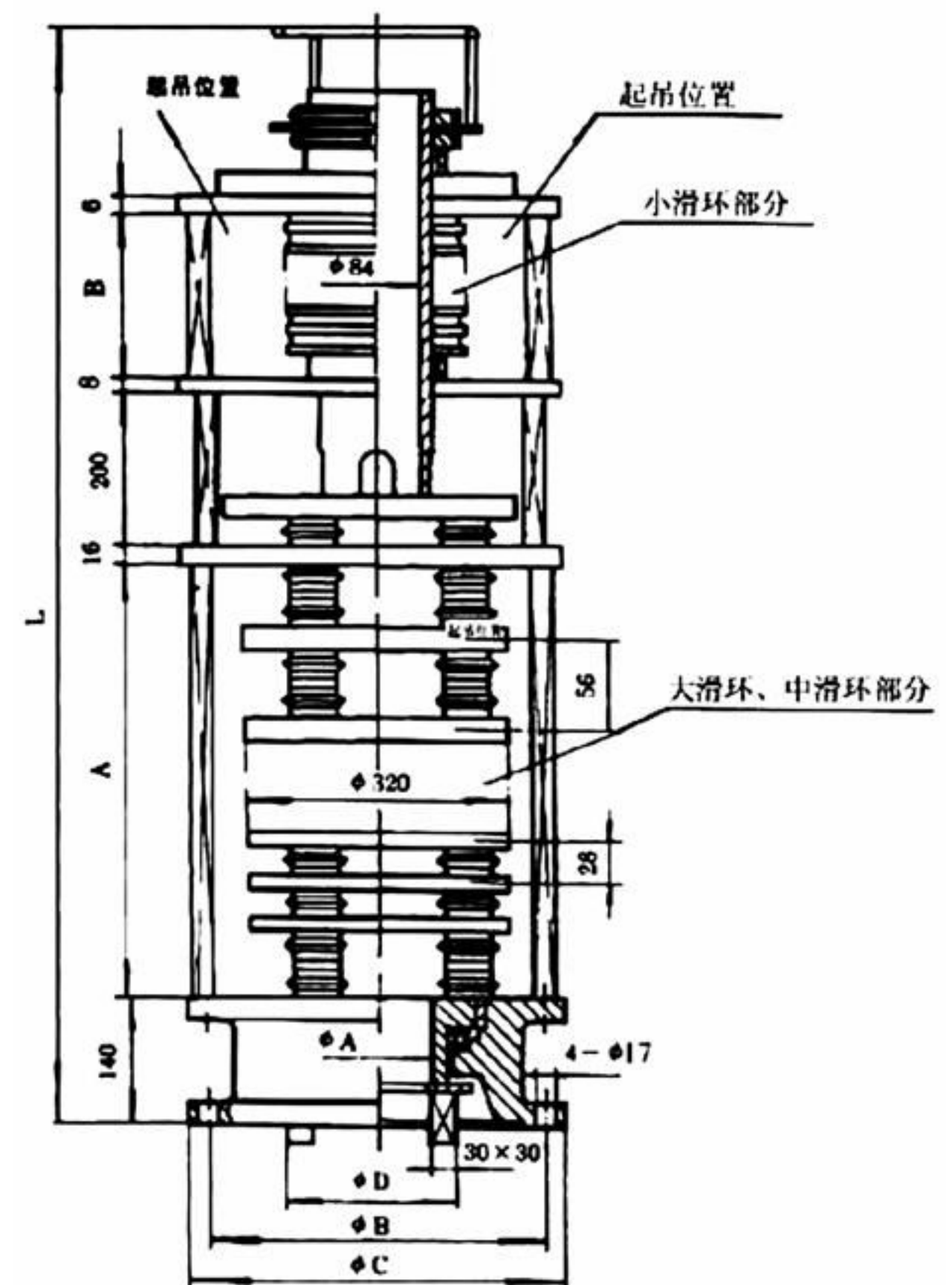
上传动型集电器
On The Drive Type Collector



C2C4总高度 $L=632+A+B$
 $A=12C+54$
 $B=56a+28b+48+(28)$
 C62总高度 $L=56a+28b+430+(28)$
 其中: a为大滑环数, b为中滑环数
 c为小滑环数, 当b>0时加尾项28

C2C4 total height = 632 L + A + B
 $A = 12c + 54$
 $B = 56 \cdot 48 + a + B + 28 (28)$
 C62 total height $L = 56a + b + 28 \cdot 430 + (28)$
 For the large number of slip ring: a, b for the slip ring
 C for a small number of slip ring, 28 item when b > 0 and tail

下传动型集电器
The Transmission Type Collector



C1C3总高度 $L=543+A+B$
 $A=12C+61$
 $B=56a+28b+48+(28)$
 C61总高度 $L=56a+28b+385+(28)$
 其中: a为大滑环数, b为中滑环数
 c为小滑环数, 当b>0时加尾项28

C1C3 total height = 543 L + A + B
 $A = 12c + 61$
 $B = 56 \cdot 48 + a + B + 28 (28)$
 C61 total height $L = 56a + b + 28 \cdot 385 + (28)$
 For the large number of slip ring: a, b for the slip ring
 C for a small number of slip ring, 28 item when b > 0 and tail

目录中未涉及到的一些非标类滑环，结构复杂或技术含量较高的产品，请提供您的技术要求，我方资深技术会为您量身研发定制，尽最大努力满足您的需求，打造完美的解决方案。

客户定制产品需提供的技术要求

The following data should be provided by customers

路数(包括动力环和信号环)

No. Of Circuits (Power & Signal)

有无过孔要求，孔径大小(mm)

Need through bore? Diameter of through bore?

最大额定电压、电流(包括动力和信号)

Rated Voltage/Current

传输方式(动力、信号或数据)

Transmission Type (Power, Signal or Data)

转数(rpm)

Rotation Speed

外型尺寸要求，外径长度(mm)

Dimension: Outside Diameter and Length

连接方式

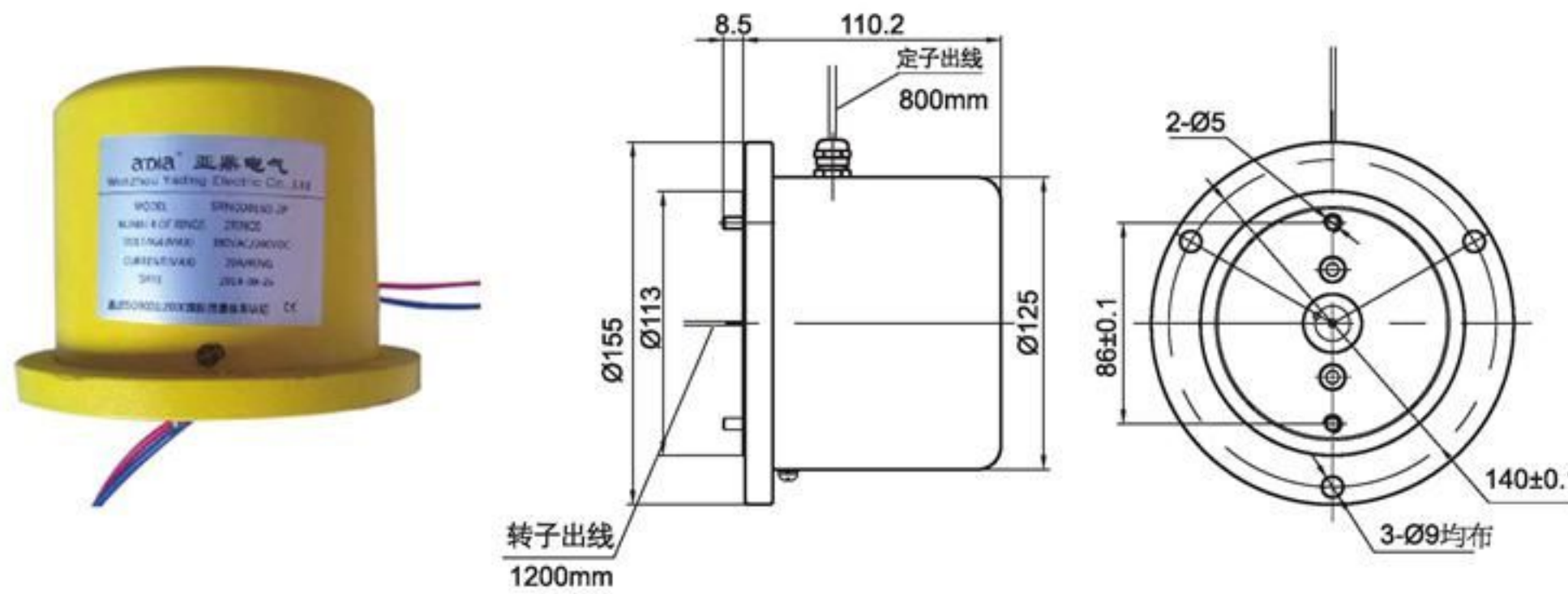
Connecting Way

防护等级

IP Class



工程机械滑环 Engineering Machinery Slip Ring



- 全金属结构，高精度高防震设计；
- IP68防护等级设计；
- 独特接触设计提供更长的寿命及免维护稳定运作
- (无需润滑剂)
- 快速接插件设计，安装方便快捷
- 超广的工作温度范围。

特点及优势

Features and Advantages

为为满足户外工程机械使用，我公司专门研究了一款高可靠性的滑环，该滑环采用国际最先进的贵金属多触点接触技术，使其具有低电阻，低磨损，高可靠，超长寿命等特点。本产品具有高防护等级IP68，高防震设计及超广的温度适应范围，能够应对多变复杂的户外工作环境，且被广泛应用在：吊车吊臂、挖掘机、港口机械、包装机、机器人等。满足户外工程机械使用。

In order to meet the engineering machinery for outdoor use, our company specialized research a high reliability of the Wei Wei ring, ring adopts the international advanced precious metal electric shock Contact technology. So it has a low resistance, low abrasion, high reliability, long life and other characteristics. This product has a high protection grade IP68, high shockproof design and temperature ultra wide range. Able to work outdoors to the changeable environment complex. And is widely used in: suspension arm of crane, excavator, port machinery, packing machine, robot. Meet the outdoor engineering machinery use.



电气技术指标 Electrical Data

参数 Specification	数值 Values
通路数Path number	2、4、6、8、12路或根据客户定制多路
额定电压Rated voltage	380VAC、240VAC/VDC
额定电流Rated current	20A/路
导线规格Wire specification	14AWG
导线长度The length of the wire	定子800mm，转子1200mm；
绝缘电阻Insulation resistance	≥500MΩ/1000VDC
绝缘体强度Insulator strength	1000VAC/50Hz, 60s
动态电阻变化值Dynamic resistance value	< 0.01Ω

机械技术指标 Mechanical Data

参数 Specification	数值 Values
工作速度The work speed	0~250rpm
工作温度Working temperature	-40℃~+80℃
工作湿度Operating humidity	95%RH 或更高
接触材料Contact material	贵金属
环体材料The ring body material	A3钢
固定方式Fixed mode	安装孔固定
传动方式Transmission mode	下传动
防护等级Protection grade	IP68

电线电缆设备滑环系列 Wire and Cable Equipment Slip Ring



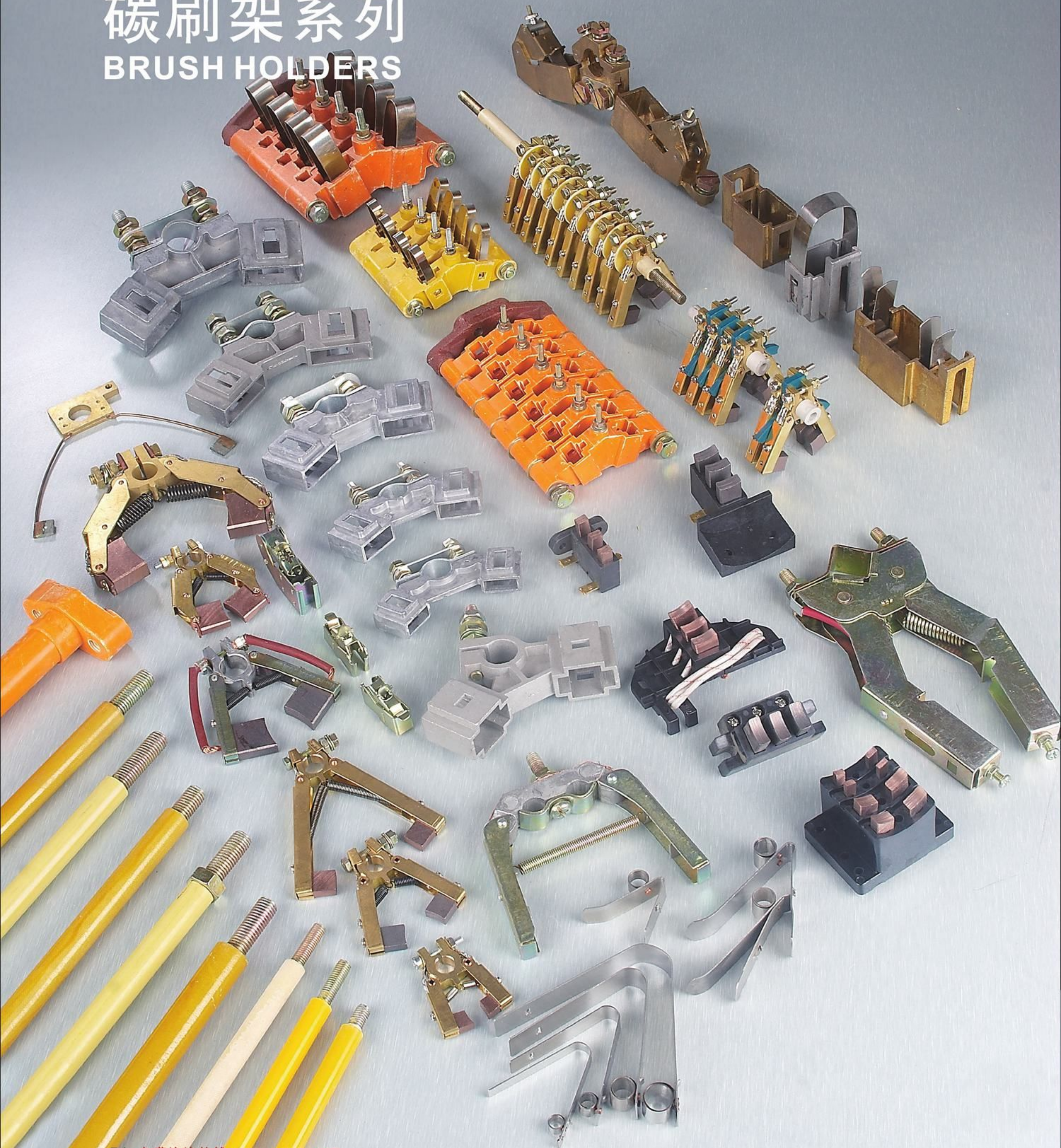
本公司生产电线电缆设备专用集电环、集电环总成品种全，规格多，以上图片仅供参考。请登录公司网站了解更多的信息。欢迎来电洽谈、选型定制。

The company is the production of wire and cable equipment special ring collector, collector ring final full, specifications above pictures are for reference only. Please visit our website for more information. Welcome calls to negotiate, selection of custom.

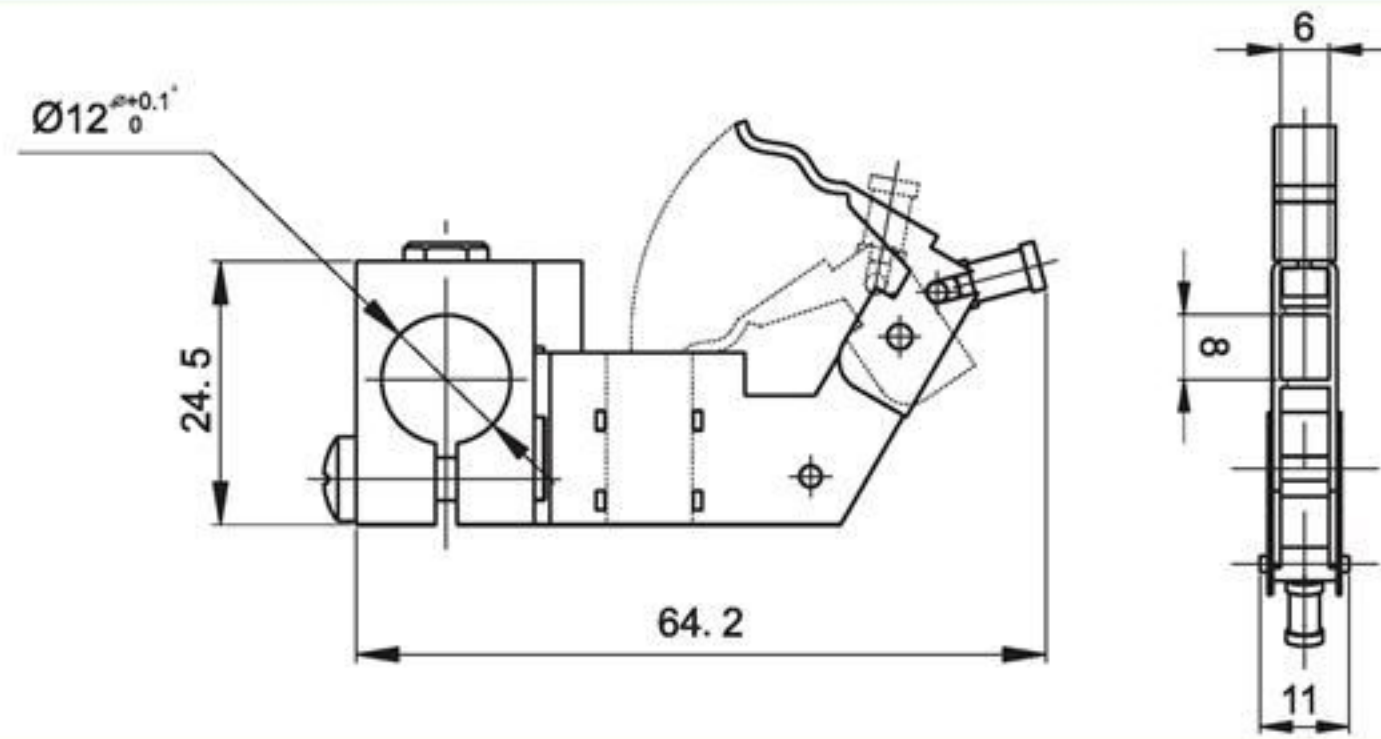


ADIA 亚鼎电气

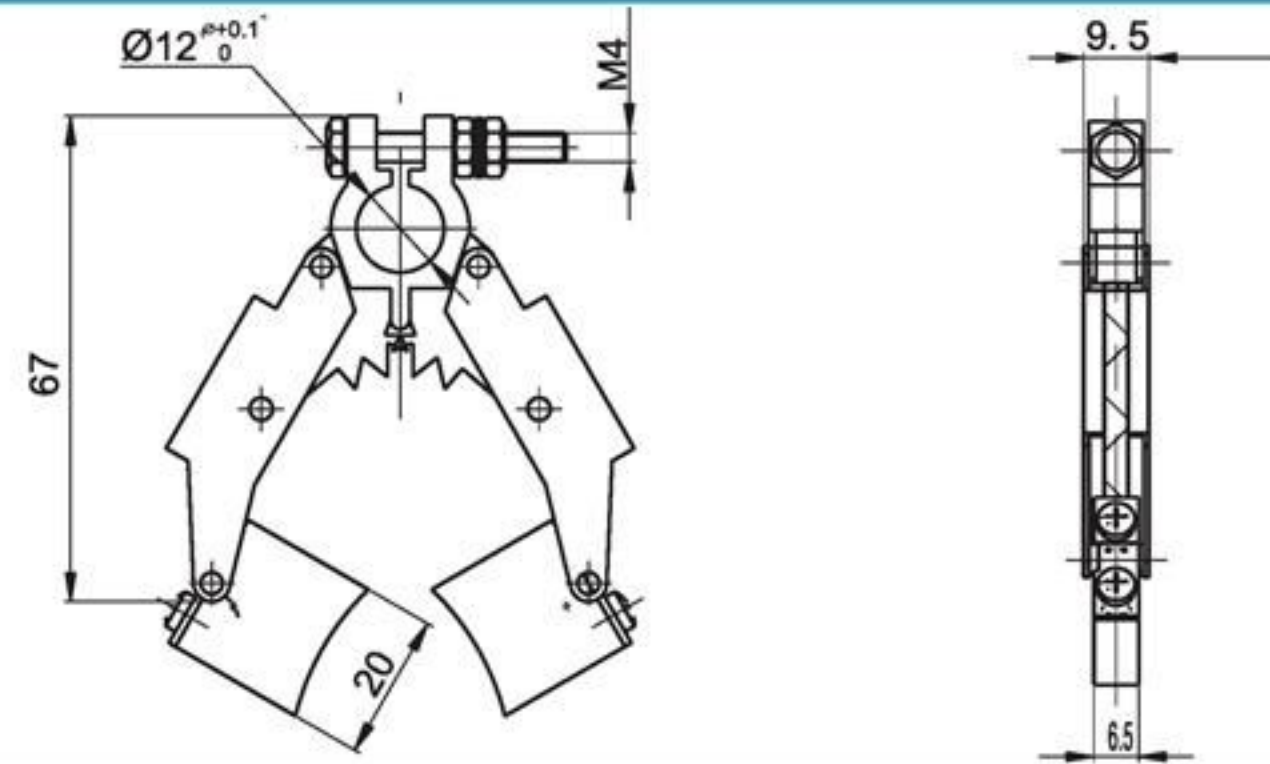
碳刷架系列 BRUSH HOLDERS



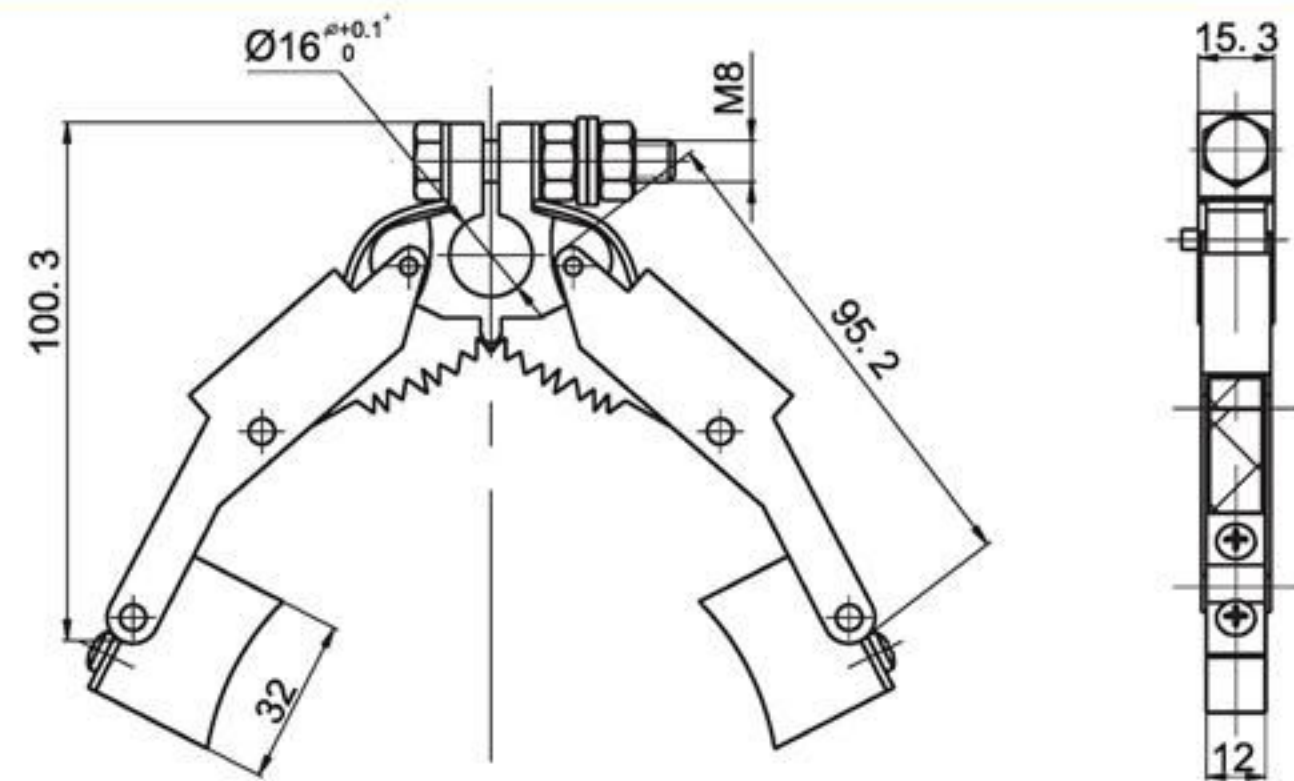
铜刷架系列 The copper brush holder series



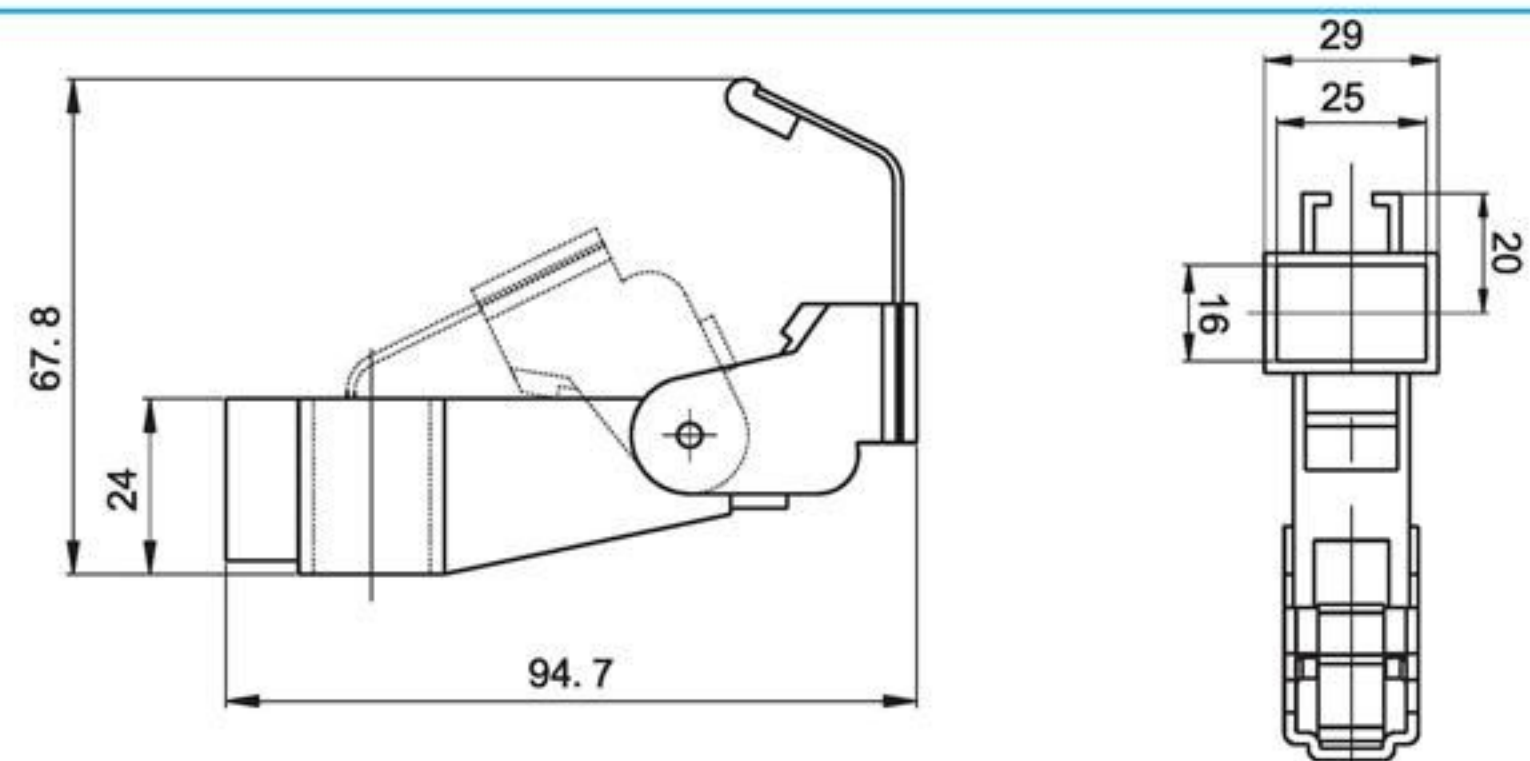
CBH68C



CBH6.520C



CBH12.532C

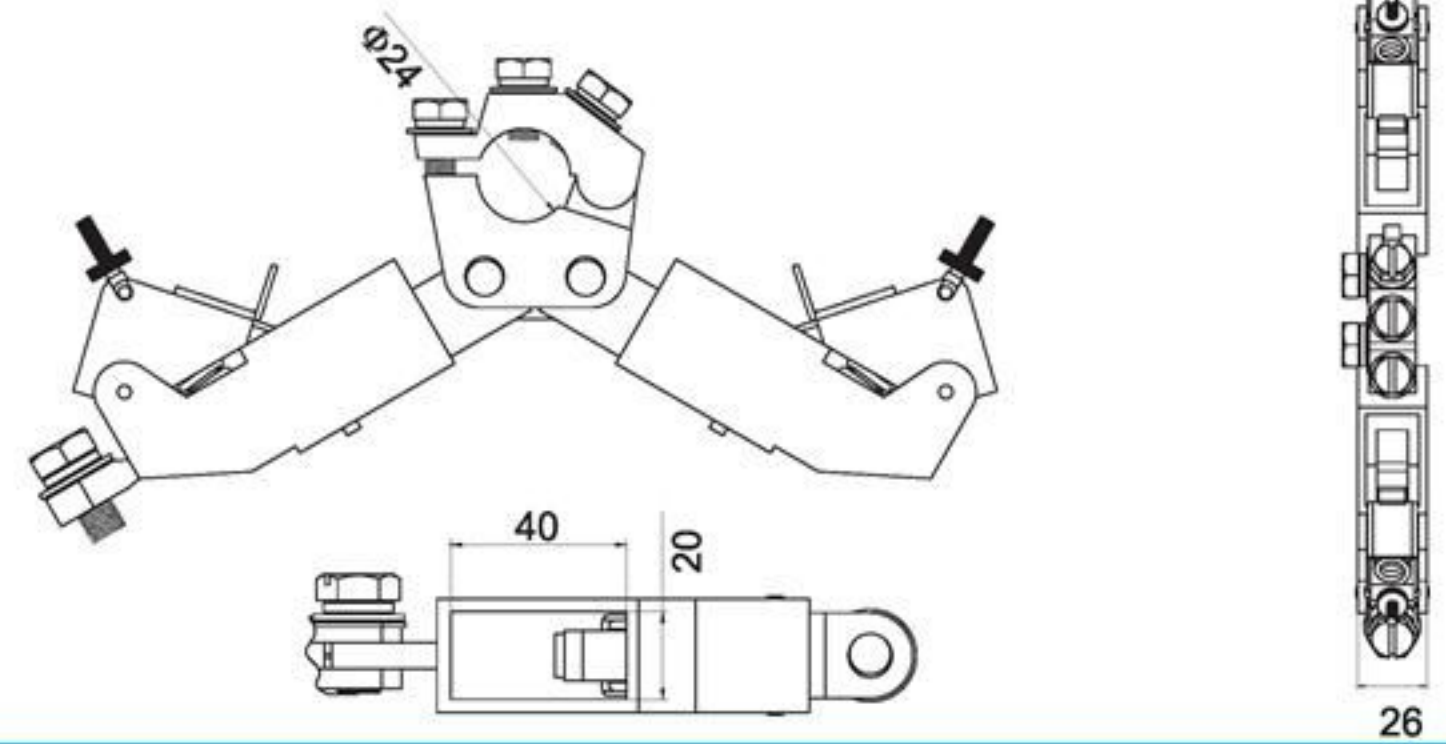


CBH1625C

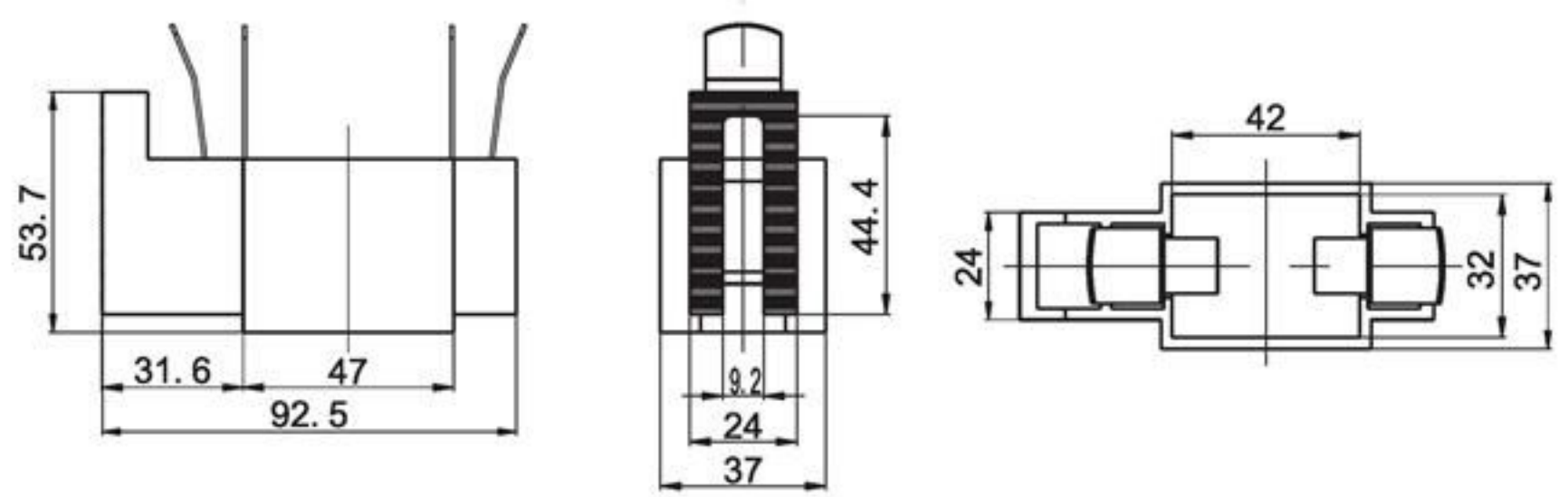
铜刷架系列 Copper Brush Holder



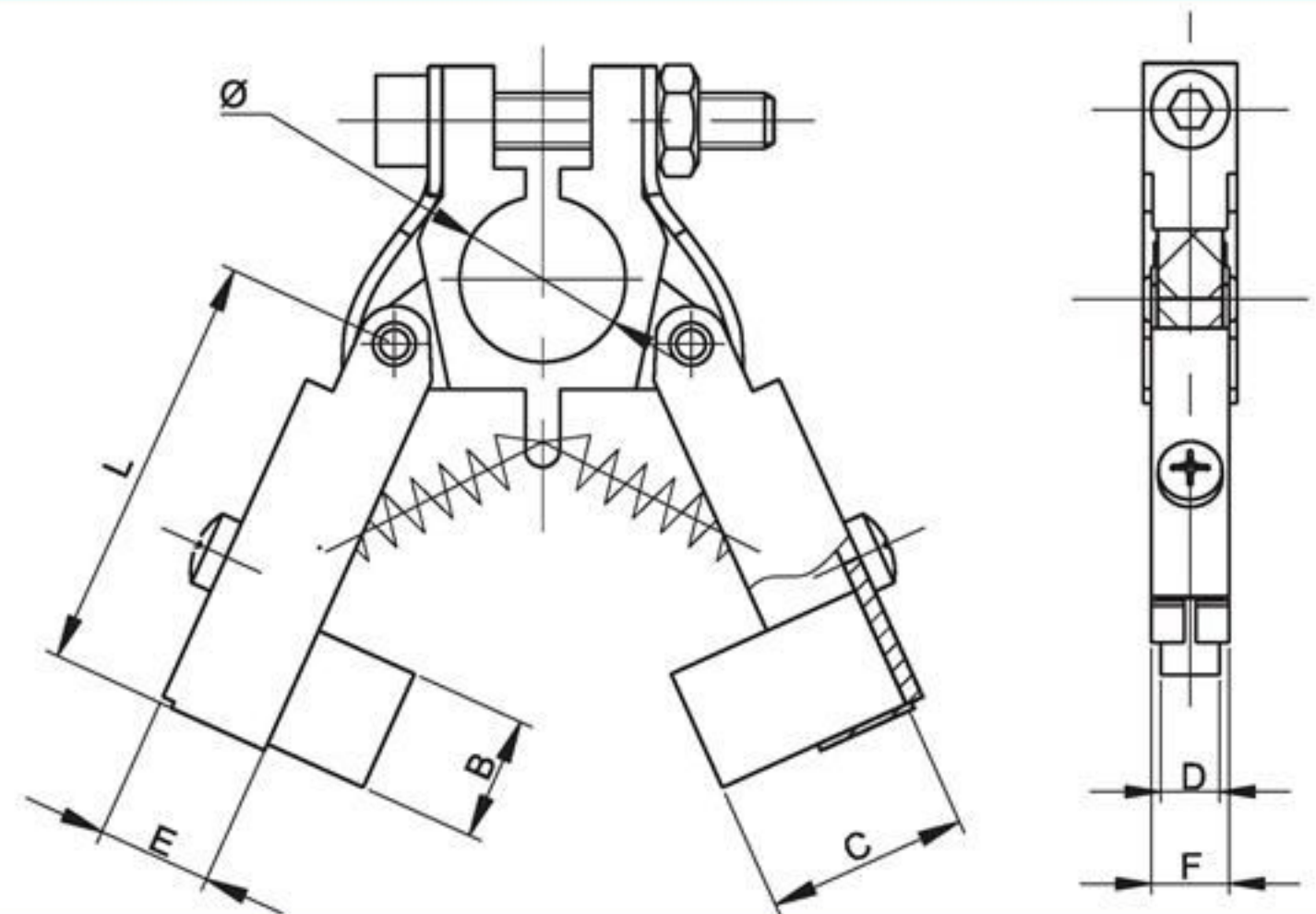
CBH2040C



CBH3242C

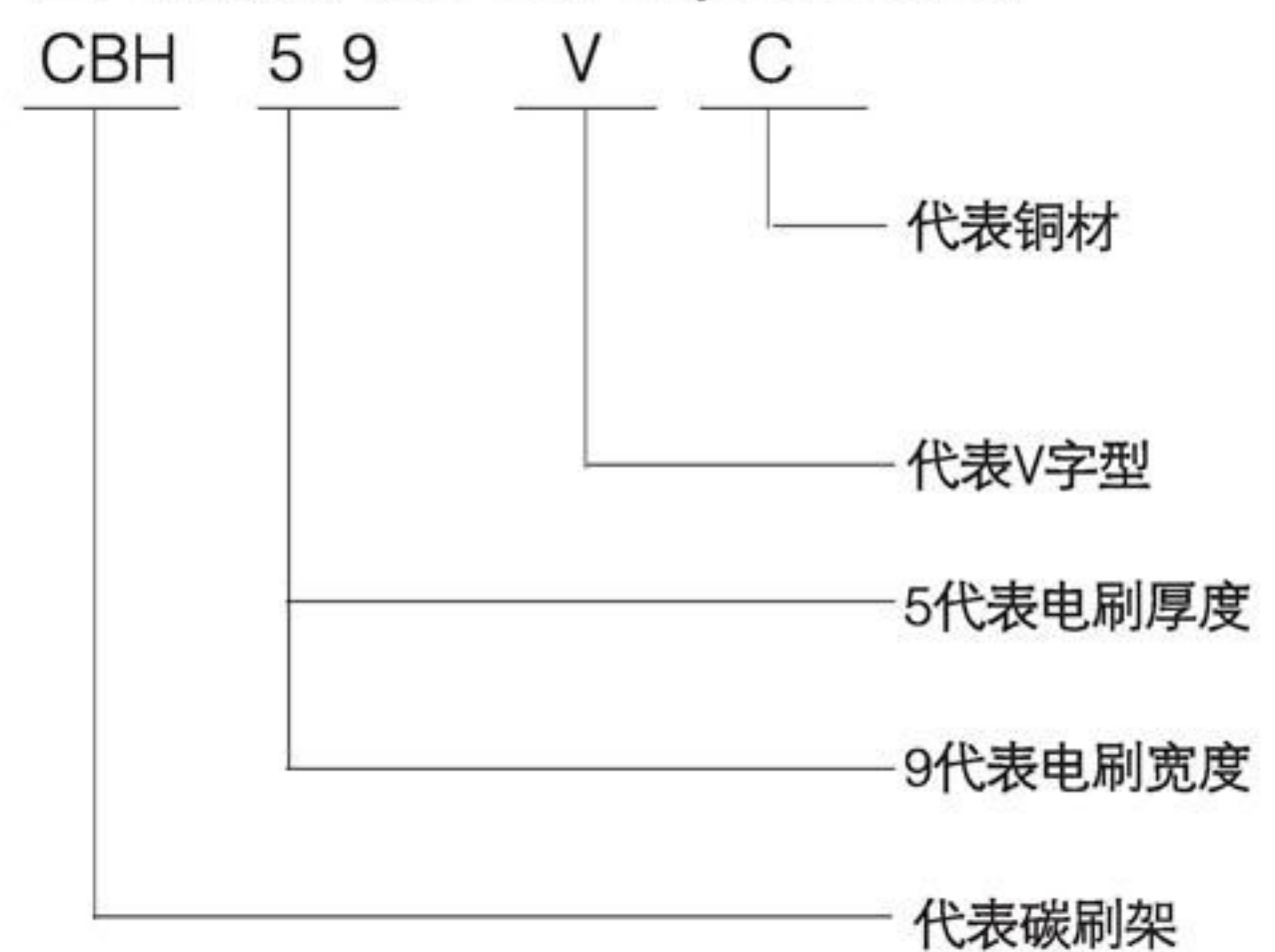


“V” 字型系列

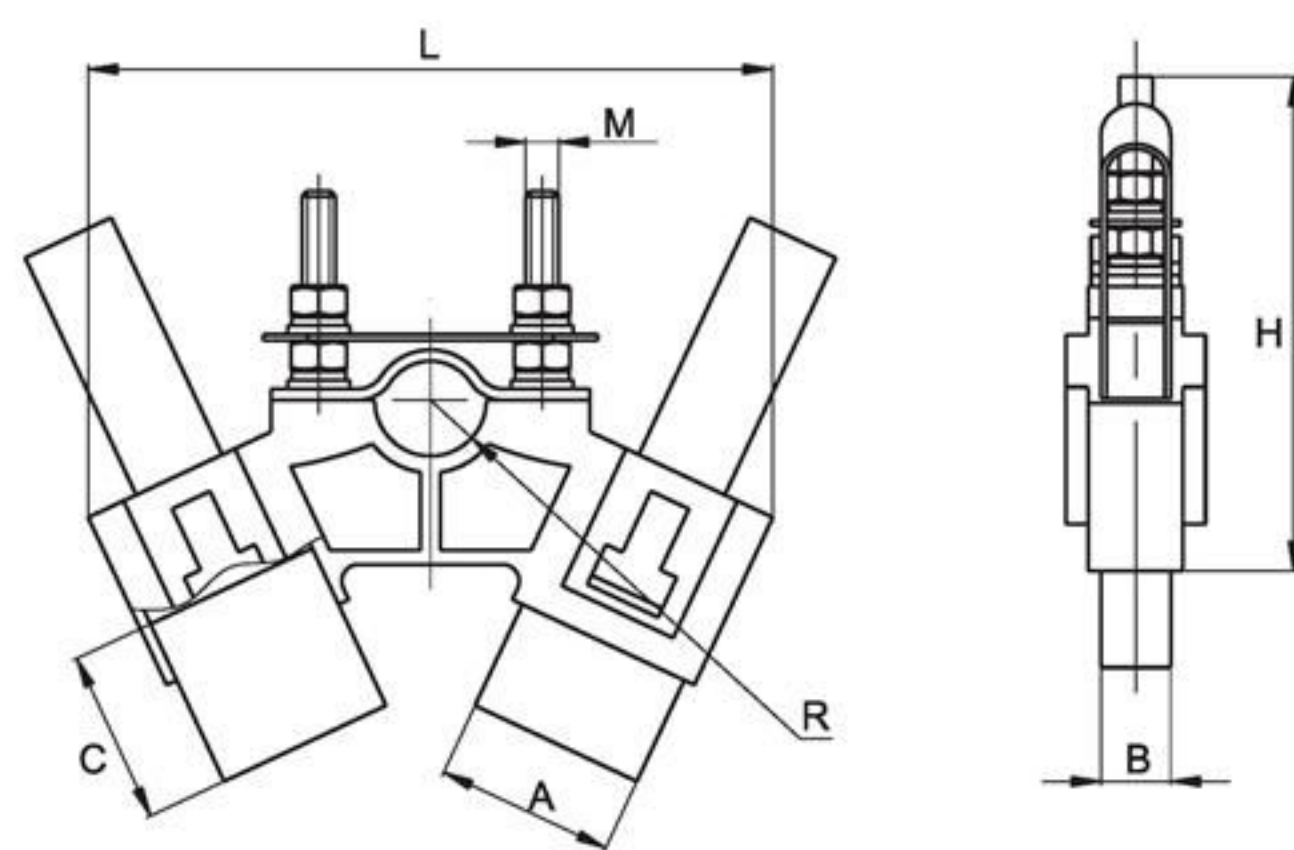


Model	L	E	F	φ	D	B	C
CBH59VC	30	7	8	10	5	9	16
CBH612VSC	42	9	8	12	6	12	20
CBH812VC	57.5	12	10	8.5	8	12	20
CBH822VC	58	9.7	10.2	12	8	22	34.5
CBH810VC	71	10.3	10.5	12	8	10	25
CBH612VBC	73	9.4	8	12	6	12	20
CBH12.532VC	81	10	14.4	16	12.5	32	24.4

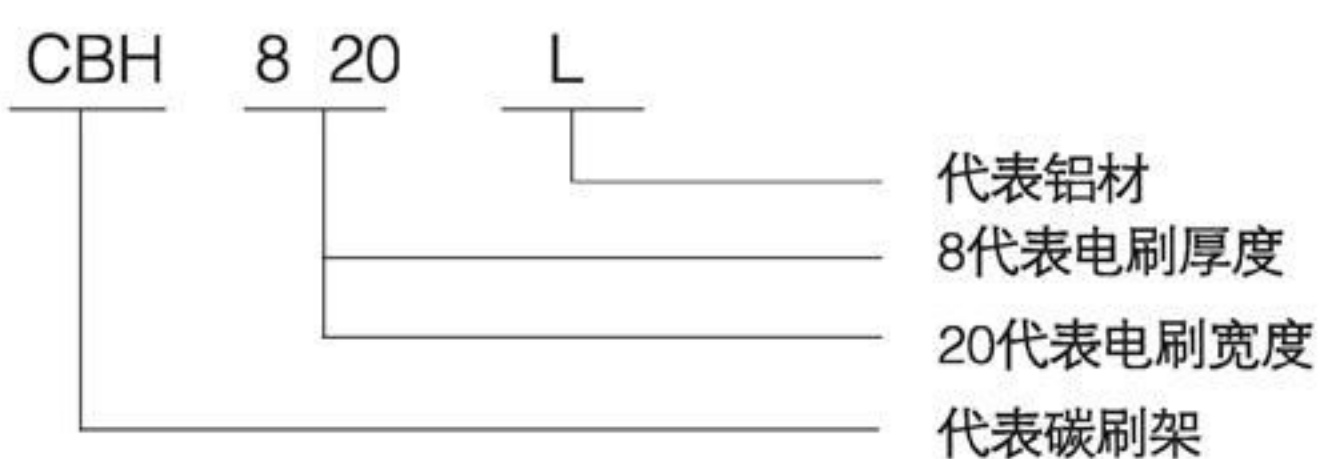
型号说明 Model explanation



铝刷架系列 Aluminum Brush Holder

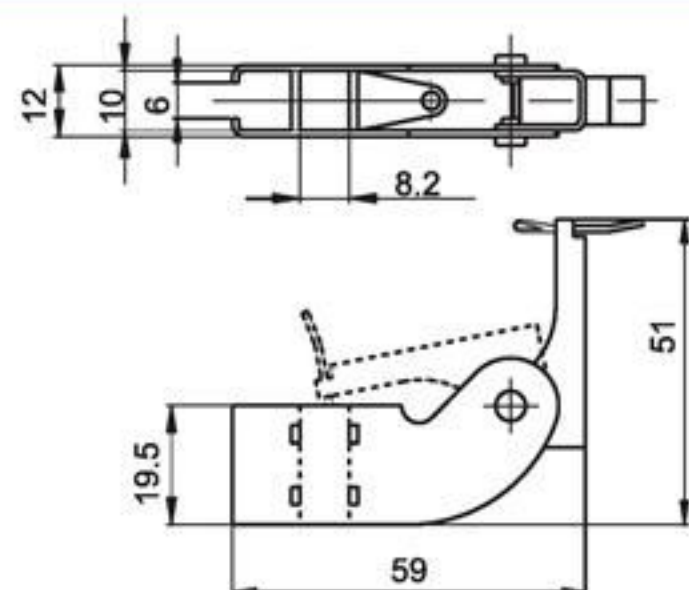


型号说明 Model explanation

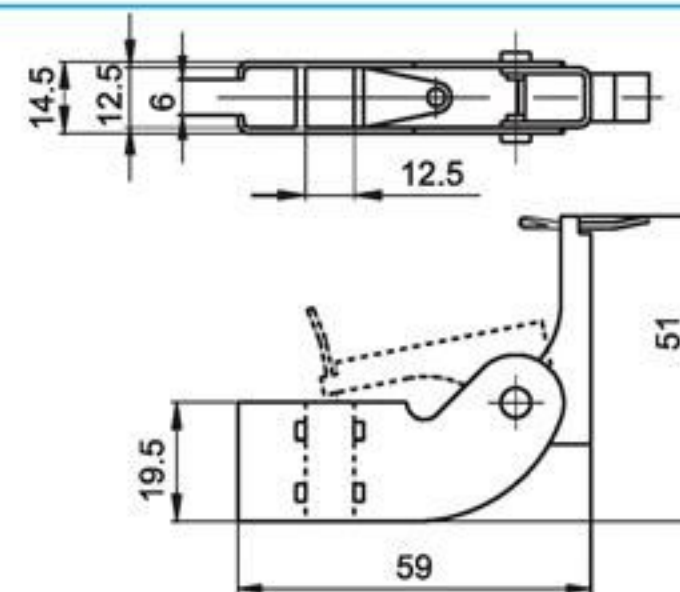


Model	L	M	R	M	B	A	C
CBH12.532L	122	87.5	20	m8	12.5	32	50
CBH2040L	161	110	24	m10	20	40	60
CBH820L	97	68	16	m6	8	20	32
CBH1025L	106	73	16	m6	10	25	40
CBH2050L	191	115	25	m10	20	50	58

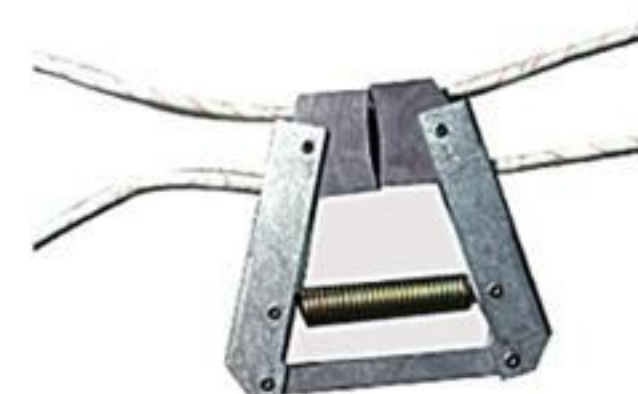
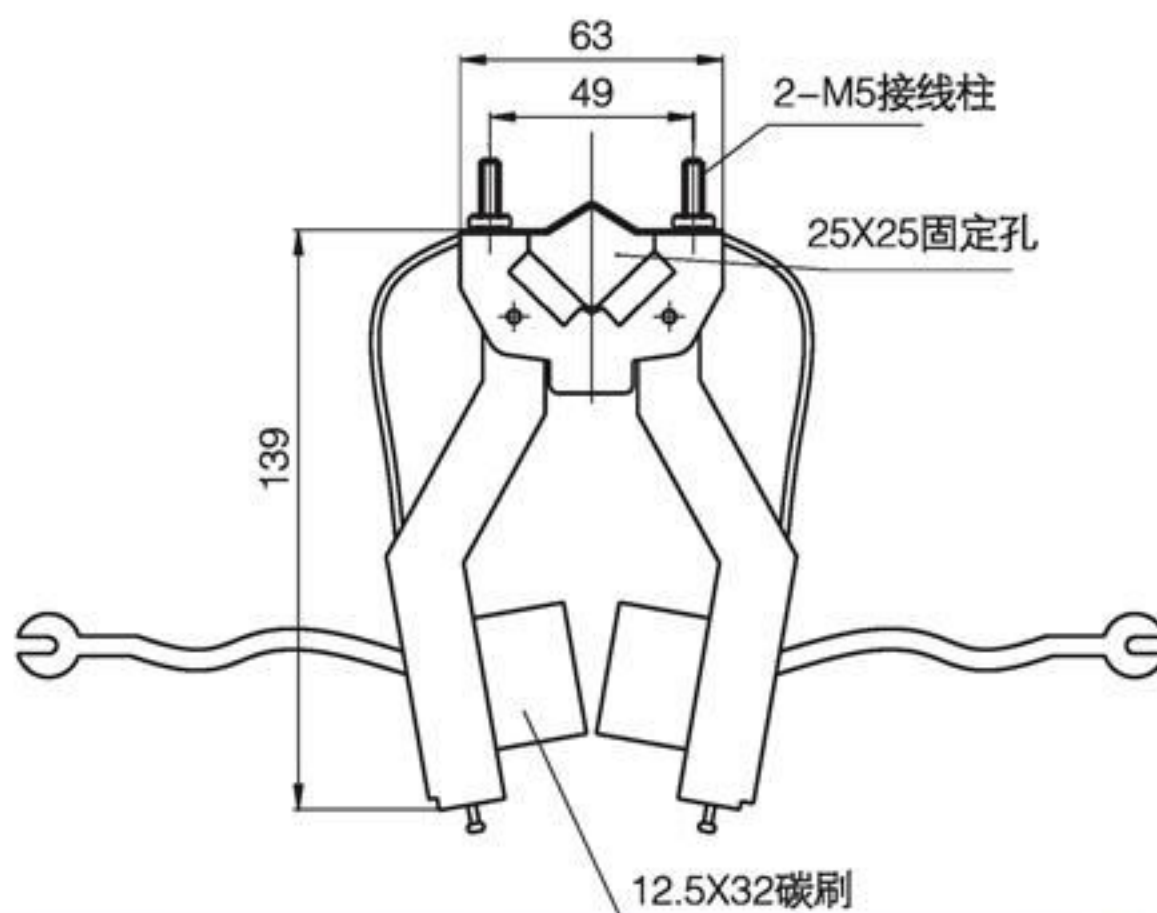
铁刷架系列 Iron Brush Holder



CBH810F 8x10铁刷架



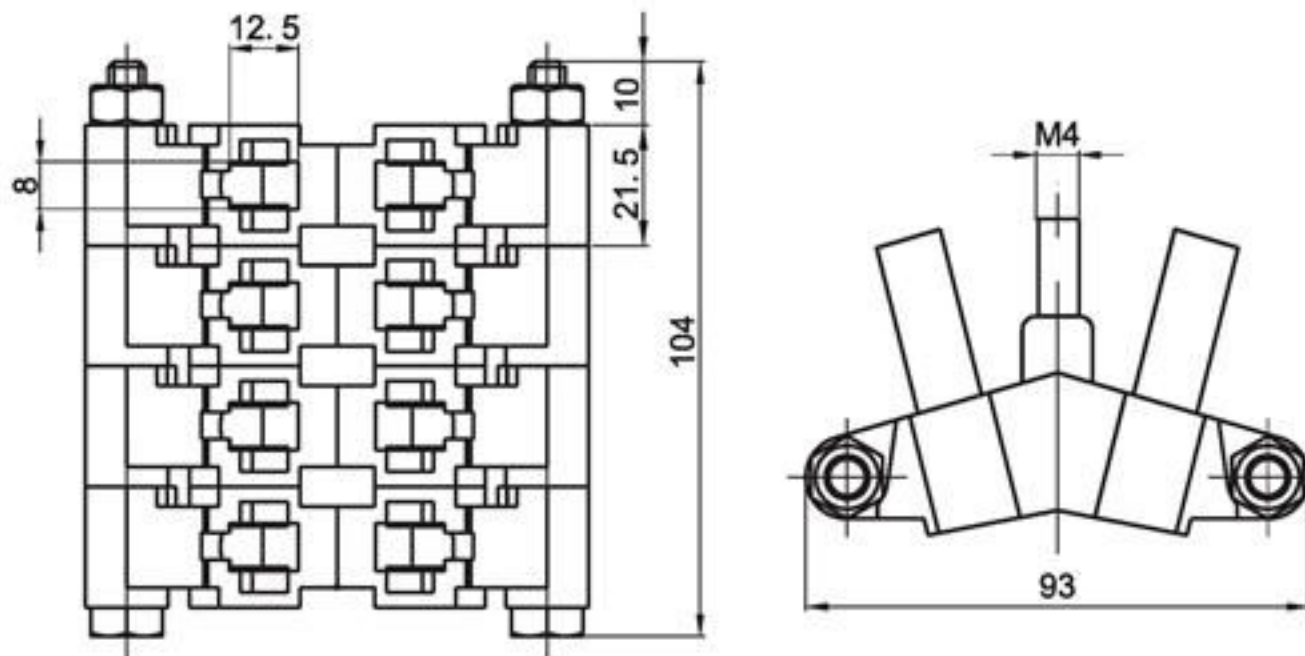
CBH12.512.5F 12.5x12.5铁刷架



树脂刷架系列 Resin Brush Holder



8 × 12 4组树脂刷架



$$L = 10 + 4.7 + 22.8 \times n$$

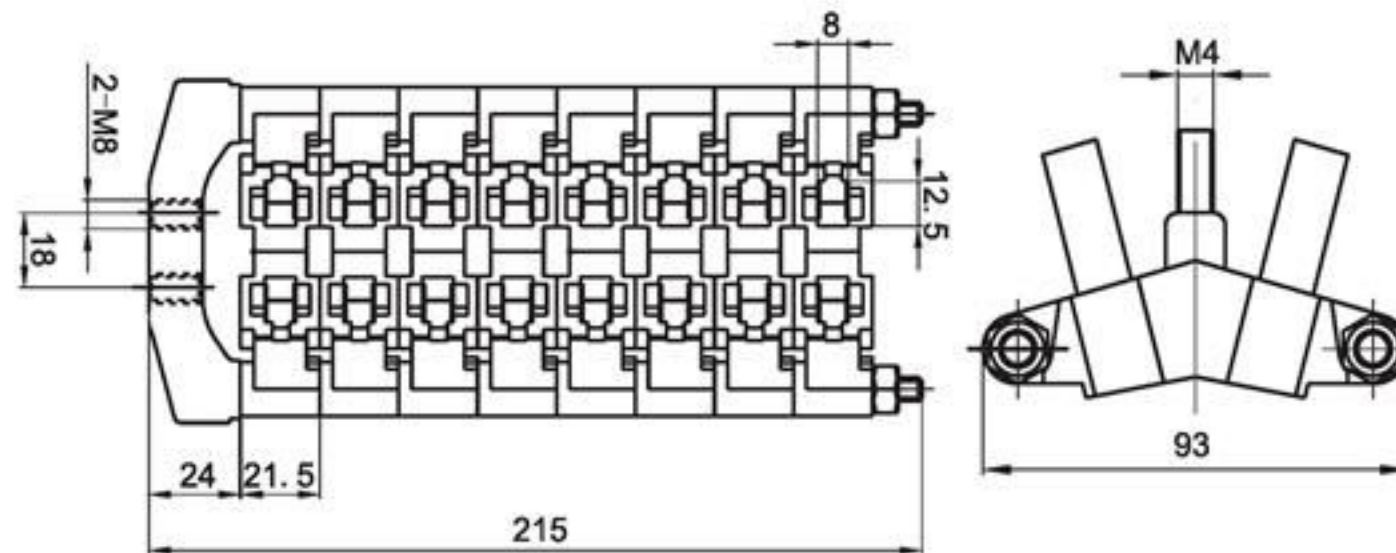
产品总长	产品右端到螺杆右端的距离	产品左端到螺杆左端的距离	每个产品的厚度	产品组数

其中 $n \geq 2$, n 为产品组数, 可根据客户要求定制。

CBH812-4R



8 × 12 8组树脂刷架带铁架隔片

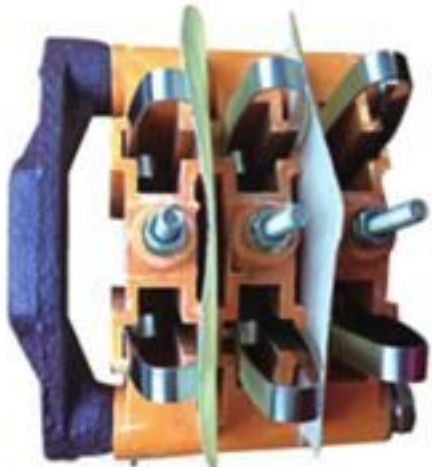


$$L = 8 + 30 + 30.5 \times n$$

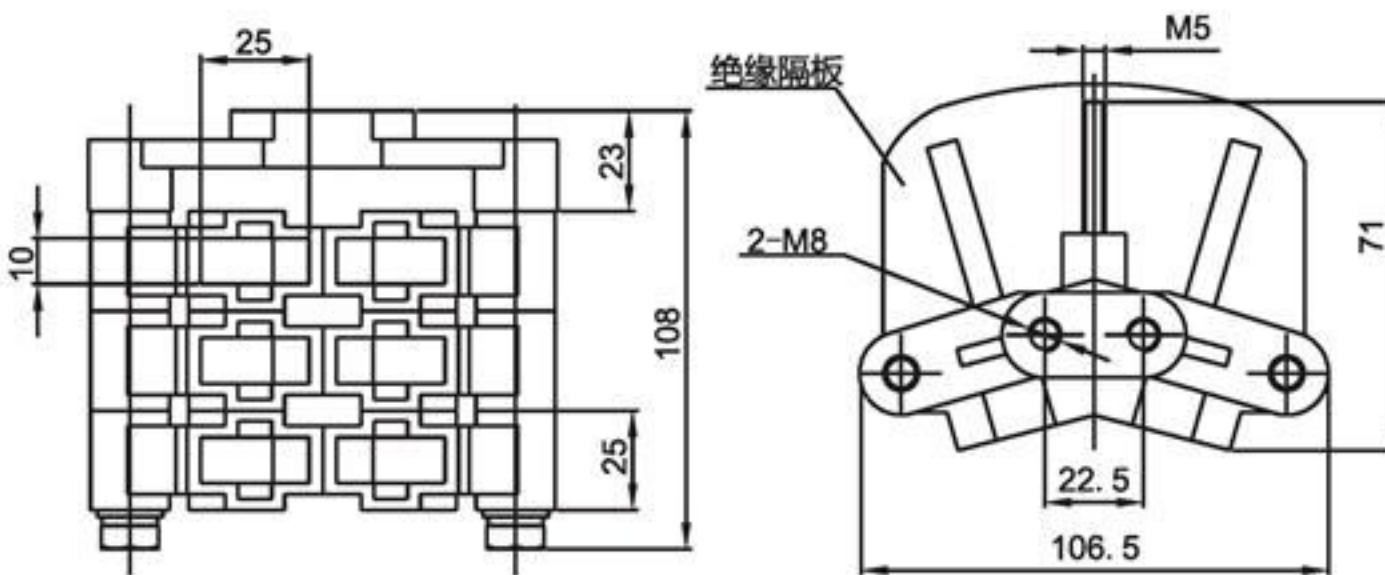
产品总长	产品右端到螺杆右端的距离	产品左端到螺杆左端的距离	每个产品的厚度	产品组数

其中 $n \geq 2$, n 为产品组数, 可根据客户要求定制。

CBH812-8HSR



10 × 25 3组树脂刷架带铁架隔片

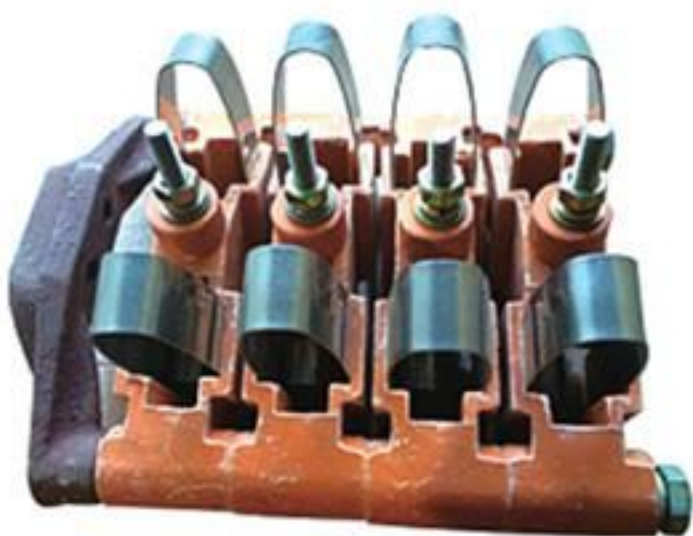


$$L = 8.5 + 23 + 22.8 \times n$$

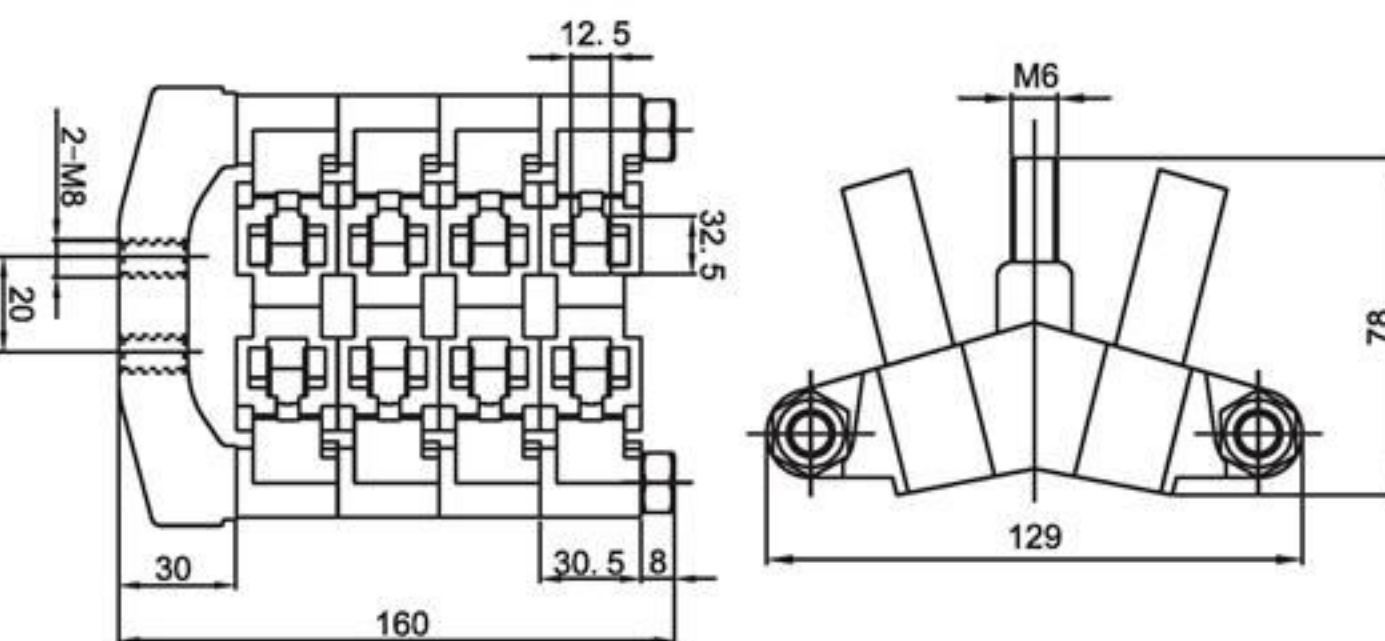
产品总长	产品右端到螺杆右端的距离	产品左端到螺杆左端的距离	每个产品的厚度	产品组数

其中 $n \geq 2$, n 为产品组数, 可根据客户要求定制。

CBH1025-3HSR



10 × 25 4组树脂刷架带铁架隔片



$$L = 8 + 30 + 30.5 \times n$$

产品总长	产品右端到螺杆右端的距离	产品左端到螺杆左端的距离	每个产品的厚度	产品组数

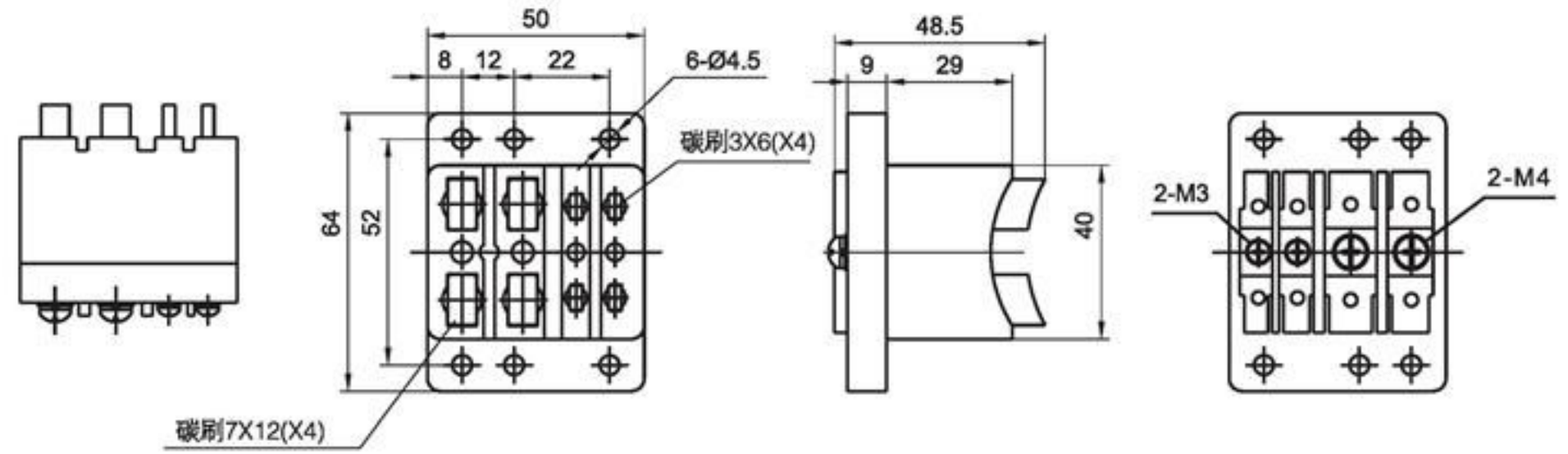
其中 $n \geq 2$, n 为产品组数, 可根据客户要求定制。

CBH12.532-4HR

胶木富士刷架系列 Bakelite Brush Holder



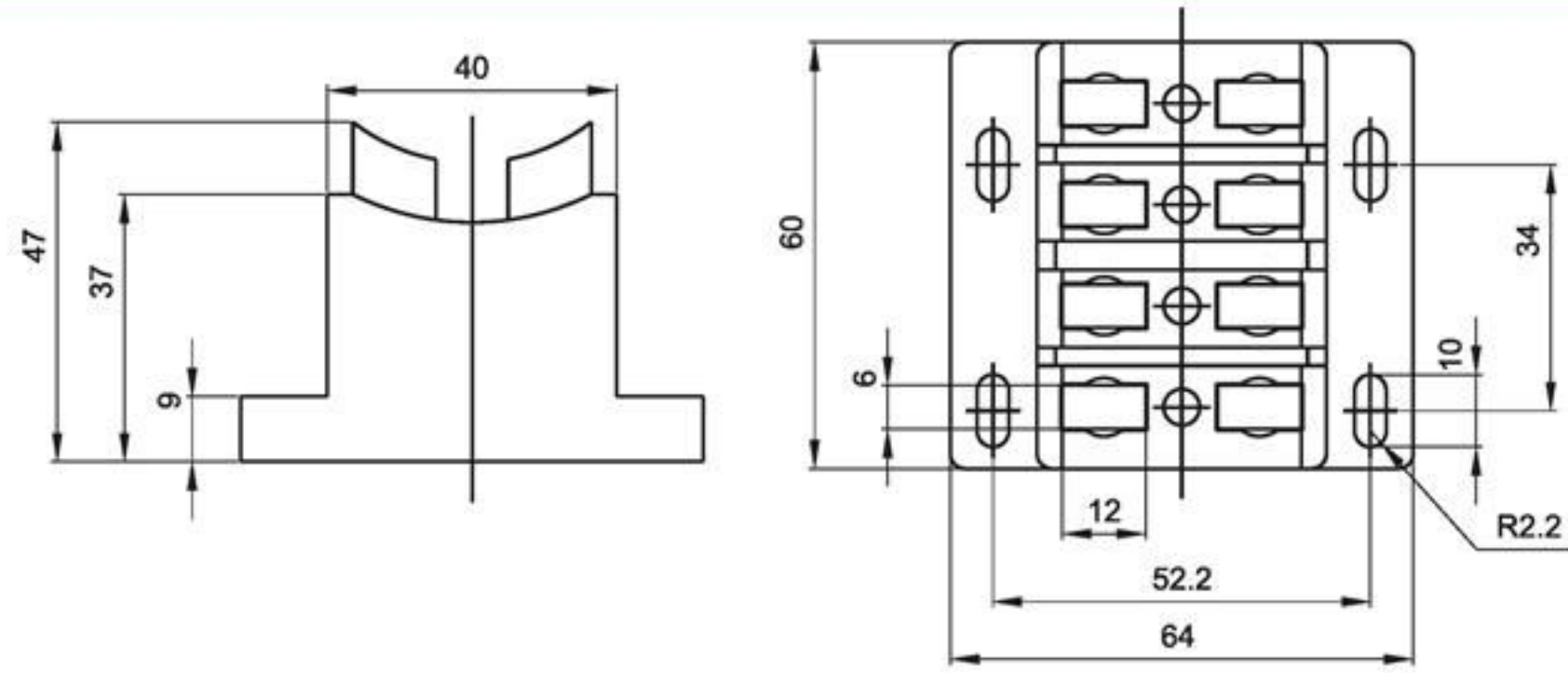
两大两小胶木刷架



CBH2B2SB



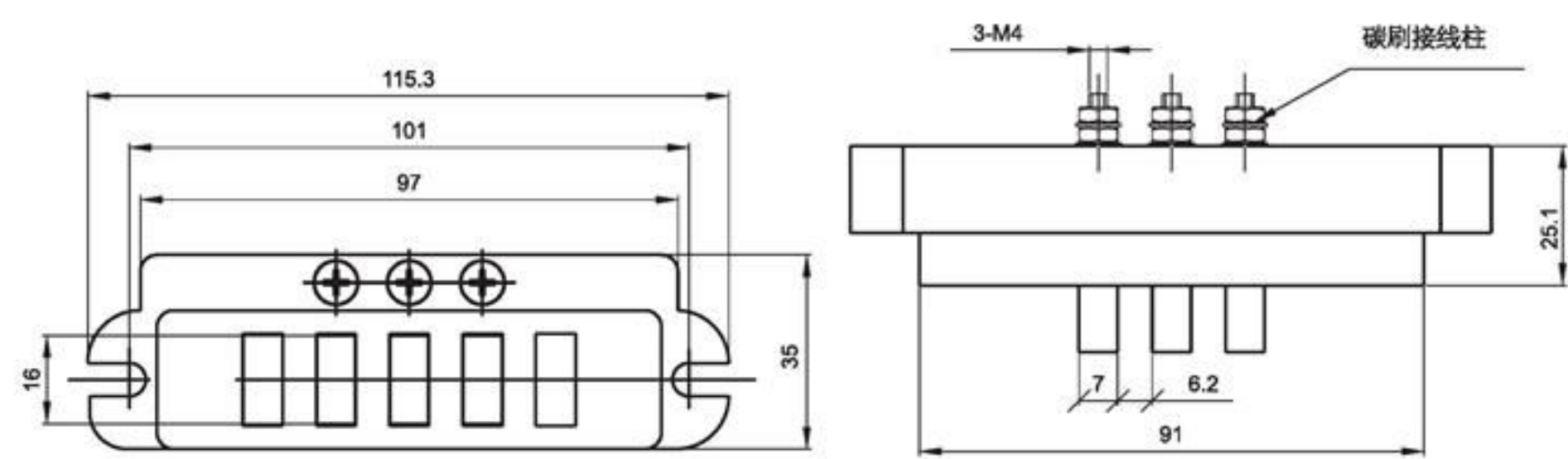
四组胶木刷架



CBH4B



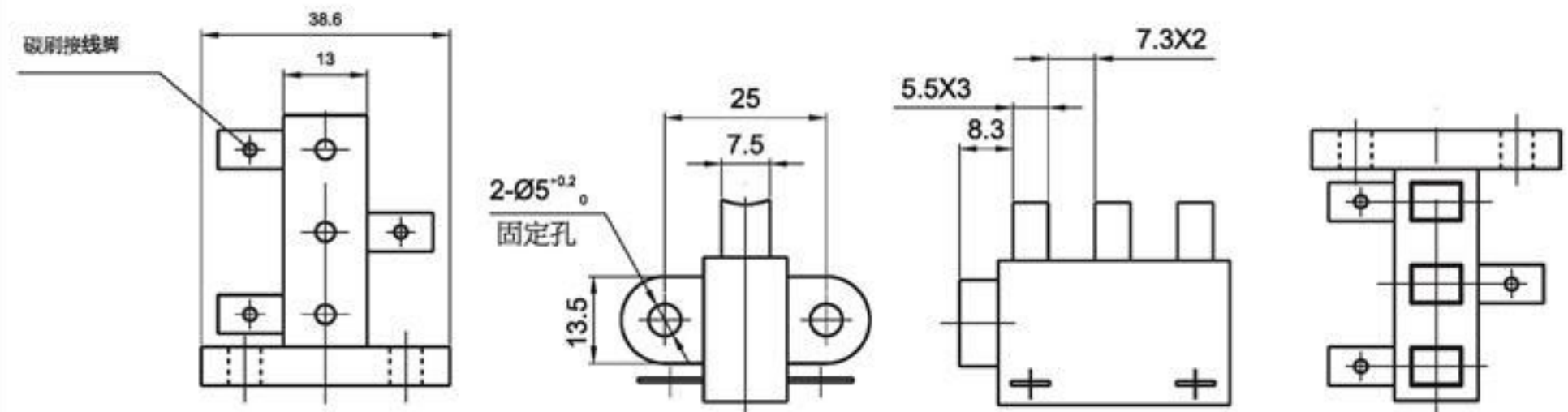
五孔三电刷



CBH5H3BB



6 × 7胶木刷架



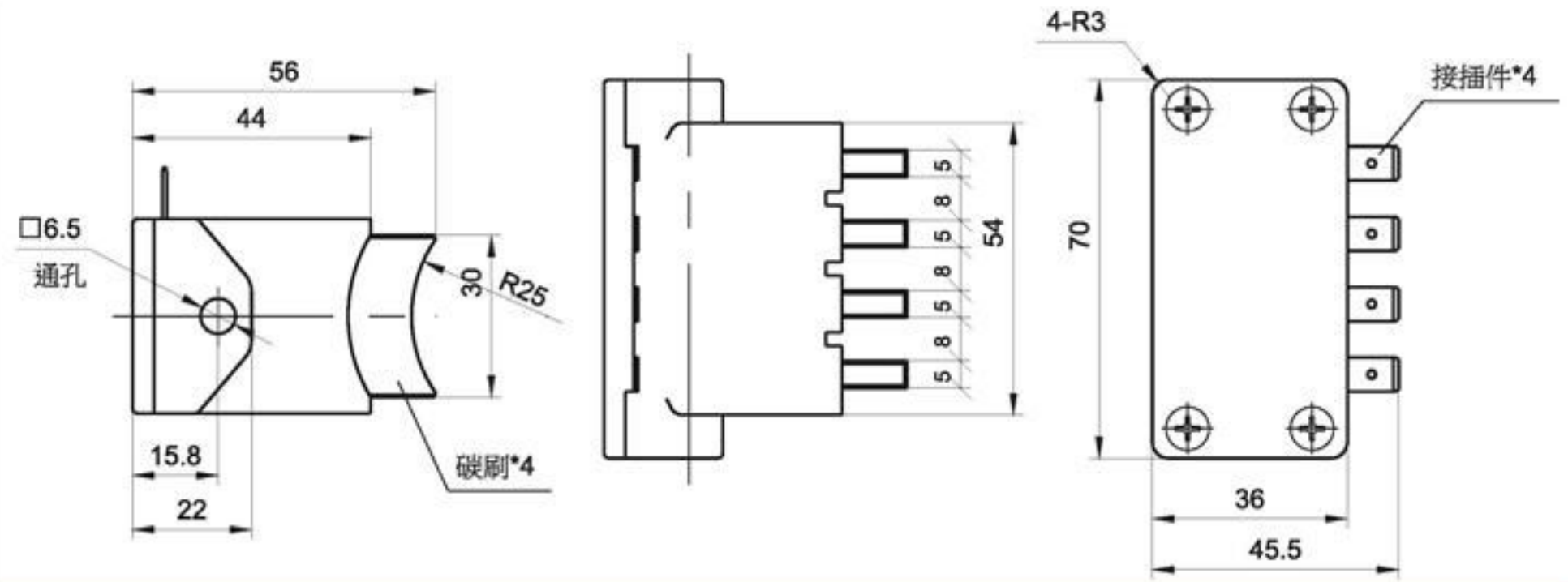
CBH12.532-4HR



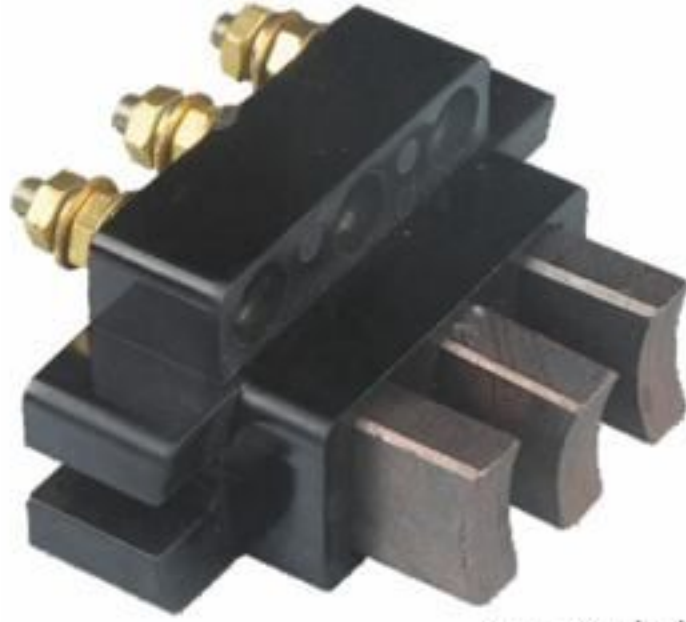
胶木富士刷架系列 Bakelite Brush Holder



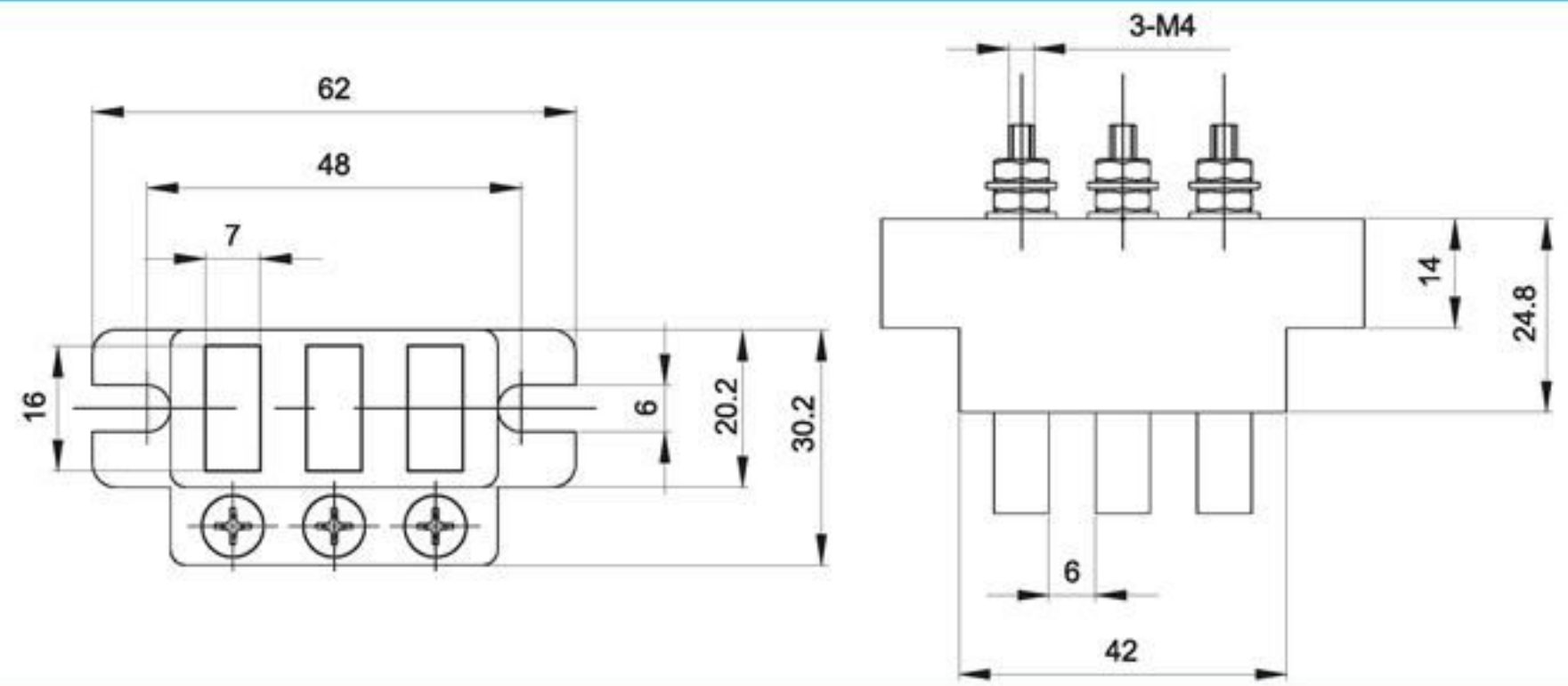
5 × 30胶木刷架带接线端子



CBH530BT



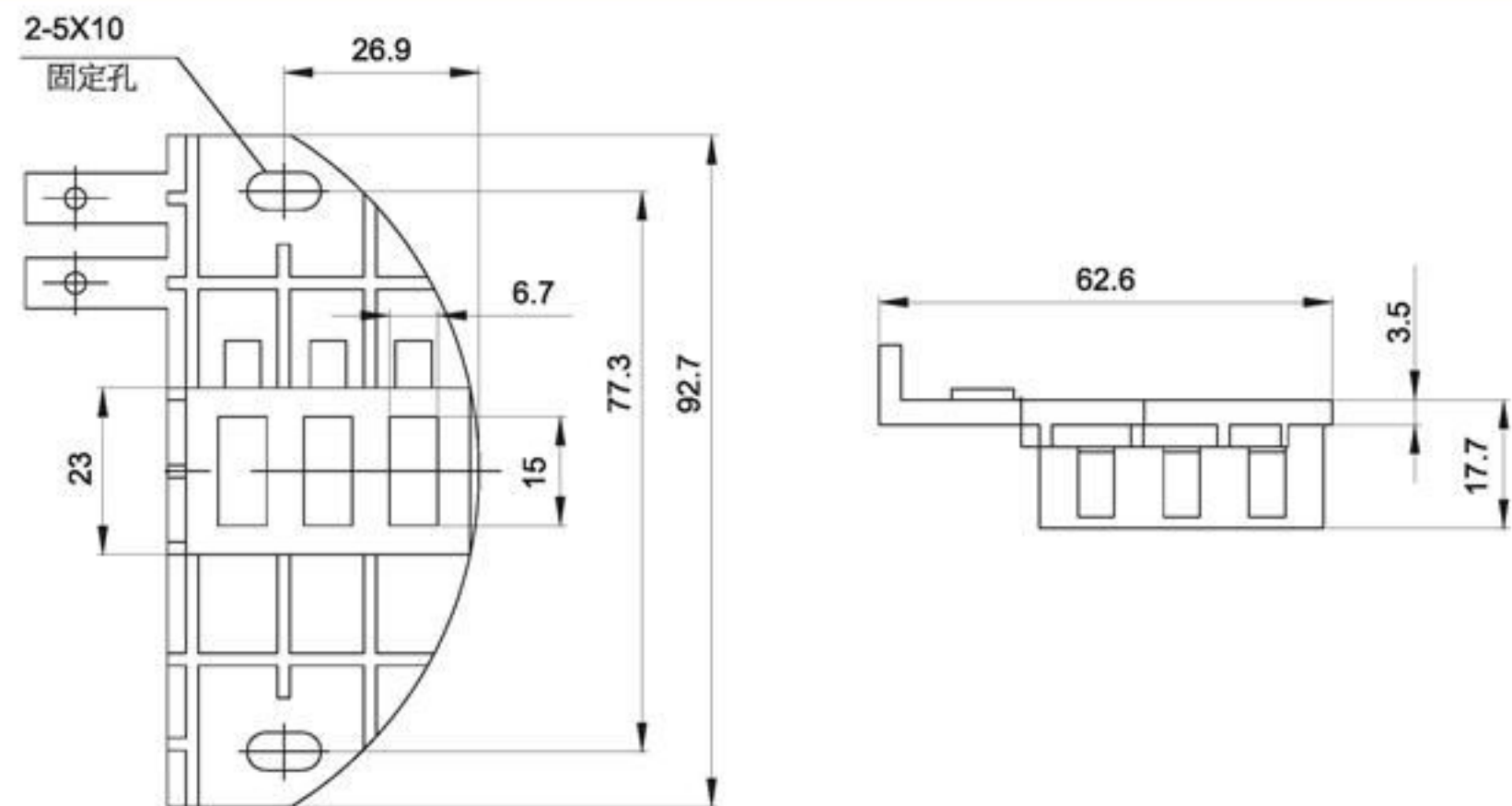
7 × 16胶木刷架带接线端子



CBH716B



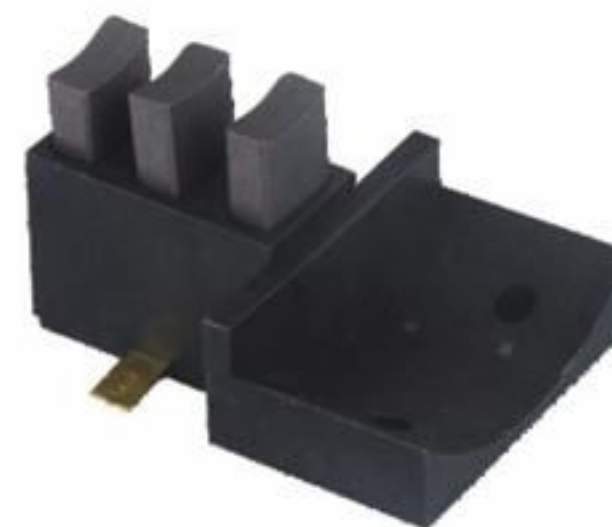
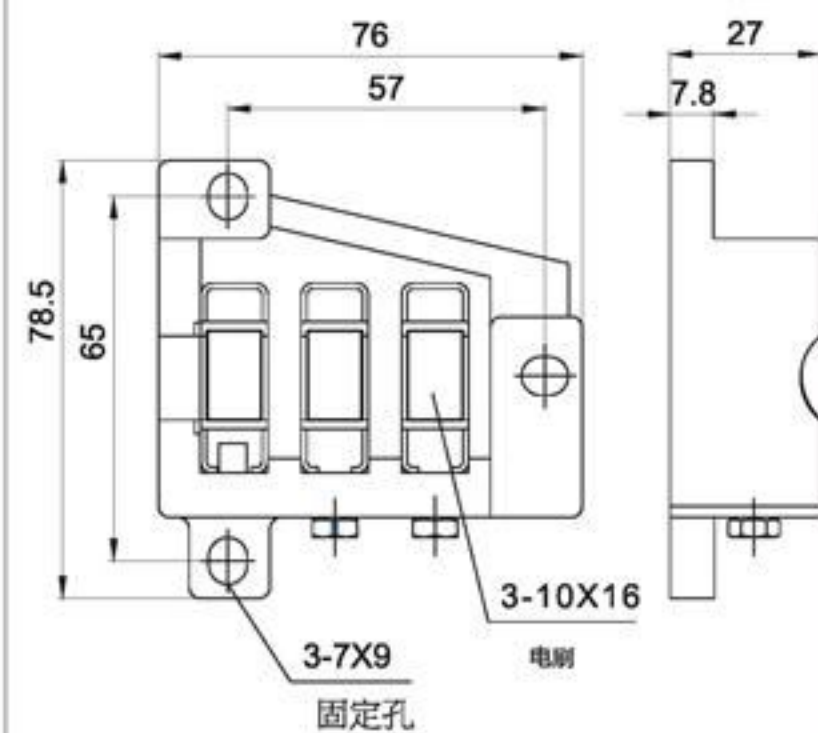
半圆形刷架



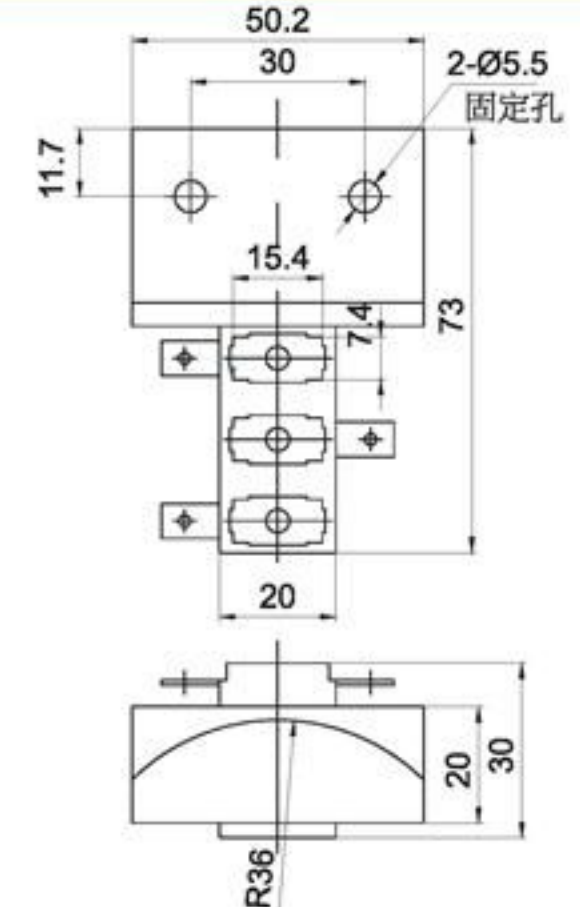
CBH12.532-4HR



10 × 16一体式刷架



90度胶木刷架



CBH1016B

CBHVB

电刷系列

CARBON BRUSH



电机碳刷性能参数 Carbon Brush Performance Parameters

类别 Class	型号 Grade	电阻系数 Resistivity	洛氏硬度 Rockwell hardness	体积密度 g/cm ³	短路换向器实验 Short-circuit commutator test.			工作条件 Operatin Condition			主要用途 Typical Application
					一对电刷的接触电压降 Voltage drop for pair brush (V)	系数摩擦 Coef friction (≤)	50小时磨损值 Wear Value in 50 Hrs. (mm)	额定电流密度 Rating Current density (A/cm ²)	允许圆周速率 Allowable peripheral speed (m/s)	使用时单位压力 Pressure in use (kPa)	
金属石墨类 Metal Graphite	J102	0.24	85(392)	4.91	0.5	0.2	0.4	20	20	17.6 ~ 22.5	直流发电机和交流异步电动机集电环 DC generator and the AC asynchronous motor collector ring
	J105	0.06	88(392)	6	0.4	0.25	0.8	20	20	17.6 ~ 22.5	电触点contacts.
	J164	0.1	75(392)	5.54	0.3	0.2	0.7	20	20	17.6 ~ 22.5	低电压直流发电机和变速电机电环 Low voltage DC generator and gear ring of electric motor
	J201	3.5	90(588)	2.95	1.5	0.25	0.18	15	25	14.7 ~ 19.6	60V以下的直流发电机和直流电焊机等 Under 60V DC generator and DC electric welding machine etc.
	J203	8.8	75(588)	2.21	1.8	0.25	0.15	12	20	14.7 ~ 19.6	80V以下的直流电机, 小型牵引电动机和异步电动机集电环。 DC motor under 80V, small traction motor and asynchronous motor collector ring.
	J204	0.62	95(588)	4.04	1.1	0.2	0.3	15	20	19.6 ~ 24.5	40V以下的大电流直流电机, 汽车启动机和异步电机集电环。High current DC motor under 40V, automotive starter and asynchronous and synchronous motor collector ring.
	J205	6	87(588)	3.2	≥0.20	0.25	0.5	15	35	14.7 ~ 19.6	60V以下的大电流直流电机, 汽车启动机和异步电机集电环。 High current DC motor under 60V, automotive starter and asynchronous and synchronous motor collector ring.
	J206	4	93(588)	2.7	1.5	0.2	0.3	15	25	14.7 ~ 19.6	
	J151	0.09	71(392)	5.6	0.3	0.2	0.6	25	20	17.6 ~ 22.5	低电压, 高电流密度的电机, 绕线式电动机, 汽车启动电动机, 高电流密度集电环。 Low voltage, high current density of the motor, winding motor, auto starting motor, high current density collector ring.
	J220	6	90(392)	2.23	1.4	0.2	0.26	12	20	14.7 ~ 19.6	电压20-50伏的小型快速电机 Small fast motor voltage of 20-50 volts.
	J230	1.2	96(588)	4	0.85	0.2	0.25	15	35	14.7 ~ 19.6	汽车启动机和同步电机的集电环。 Collector ring starter motor and synchronous motor.
	J241	2.6	82(588)	3.2	1.2	0.25	0.3	15	35	14.7 ~ 19.6	
	J350	2.4	89(588)	3.5	1.2	0.3	0.8	15	20	14.7 ~ 19.6	交流测速电机和交直流微电机 AC motor speed and AC DC micro motor.
	J370	0.41	84(588)	4.8	0.73	0.28	2	15	20	14.7 ~ 19.6	
	J380	0.16	81(392)	5.8	0.31	0.25	4	20	15	14.7 ~ 19.6	
	J390	0.07	52(588)	6.5	<0.2	0.25	9	20	15	14.7 ~ 19.6	讯号装置的电触点, 交直流微型电机 The electrical contact signal device, AC and DC micro motor.
J390-1	≥0.15	100(588)	6.4	≥0.3	0.25	0.5	20	15	14.7 ~ 19.6		

电机碳刷性能参数 Carbon Brush Performance Parameters

类别 Class	型号 Grade	电阻系数 Resistivity	洛氏硬度 Rockwell hardness	体积密度 g/cm ³	短路换向器实验 Short-circuit commutator test.			工作条件 Operatin Condition			主要用途 Typical Application
					一对电刷的接触电压降 Voltage drop for pair brush (V)	系数摩擦 Coef friction (≤)	50小时磨损值 Wear Value in 50 Hrs. (mm)	额定电流密度 Rating Current density (A/cm ²)	允许圆周速率 Allowable peripheral speed (m/s)	使用时单位压力 Pressure in use (kPa)	
电化石墨类 Electrographite	D104	10	100(196)	1.64	2.4	0.2	0.25	12	40	14.7 ~ 19.6	直流电焊机和电压80 ~ 120伏的直流电机。 DC electric welder and voltage 80 to 120 volts.
	D172	13	103(196)	1.6	2.7	0.25	0.2	12	70	19.6 ~ 24.5	高速汽轮发电机集电环和中小型直流电机。 High speed turbo generator collector ring and a small DC motor.
	D214	28	82(980)	1.64	2.4	0.25	0.15	10	40	19.6 ~ 39.2	汽车发电机和有机械震动的牵引电动机 Auto alternator and traction motors with mechanical vibration
	D252	15	82(588)	1.63	2.5	0.25	0.15	12	45	19.6 ~ 24.5	汽轮发电机的励磁机和带有冲击负荷的直流电机。 Exciter turbine generator and DC motor with impact load.
	D308	40	68(980)	1.59	2.6	0.25	0.15	10	40	19.6 ~ 39.2	电压在120 ~ 440的直流电机，汽车发电机和牵引电动机。 The voltage in the 120 ~ 440 of the DC motor, auto alternator and traction motor.
	D374L	50	106(980)	1.58	2.9	0.2	0.12	12	50	19.6 ~ 39.2	功率扩大和角速度高的小型直流电机。 Power expansion and angle of high speed of a small DC motor.
	D351F	45	80(980)	1.67	2.7	1.8	0.2	12	50	19.6 ~ 39.2	适用于高速牵引电机，整流困难的直流电机，轧钢电机。 Suitable for high speed traction motor, DC motor commutation difficult, rolling machine.
	D374B	57	83(980)	1.58	2.8	0.25	0.25	12	50	19.6 ~ 39.2	机车牵引电动机和主发电机，汽轮发电机的高速磁机，轧钢发动机和主发动机，交流整流子电动机和其他换向困难的直流电机。 Locomotive traction motor and main generator, high speed magnetic turbine generator, rolling the engine and the main engine, DC motor AC commutator motor and other directional difficult.
	D374N	58	83(980)	1.6	2.8	0.2	0.2	12	60	19.6 ~ 39.2	
	D374F	57	90(980)	1.67	2.7	0.2	0.2	12	60	19.6 ~ 39.2	
D376N	62	99(588)	1.65	2.9	0.2	0.2	12	60	19.6 ~ 39.2		



尼龙偏置加高



尼龙偏置窄



尼龙偏置宽



新型尼龙推料夹



尼龙推料夹



托块26宽



托块15宽



托块加高



托块22宽



端盖



轴承套



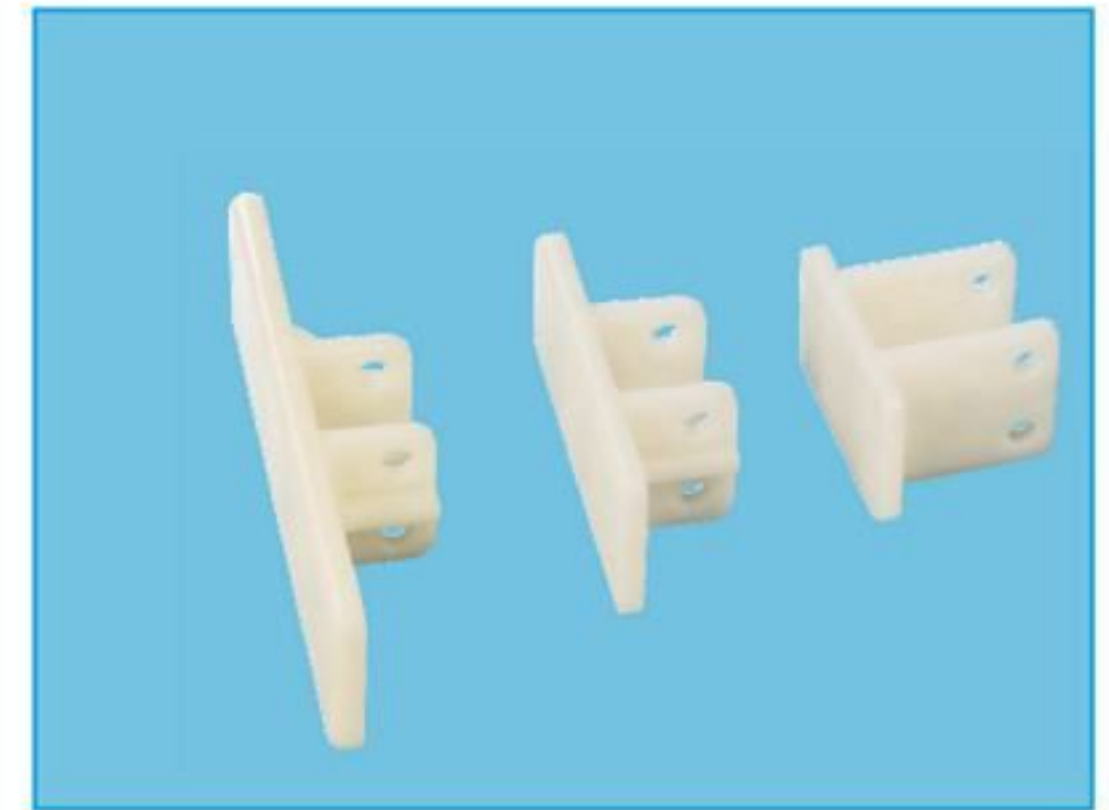
往复式尼龙推杆



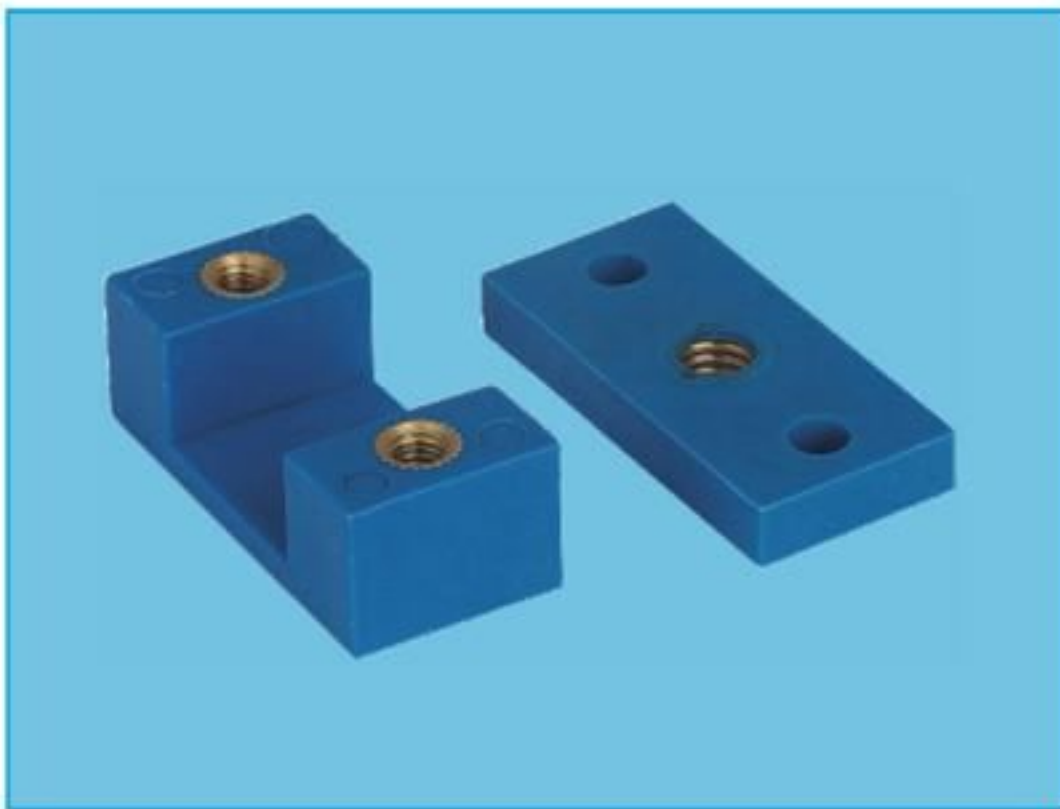
刹车盘



调节滑座



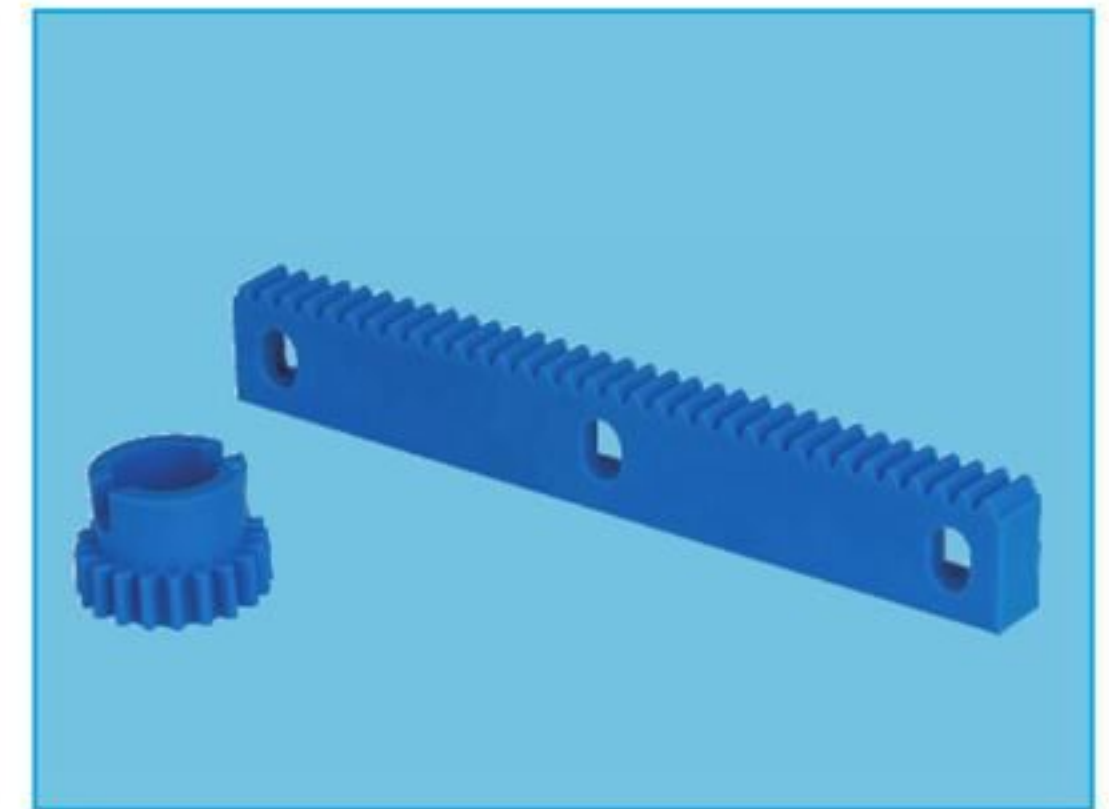
托块 99宽、60宽、40宽



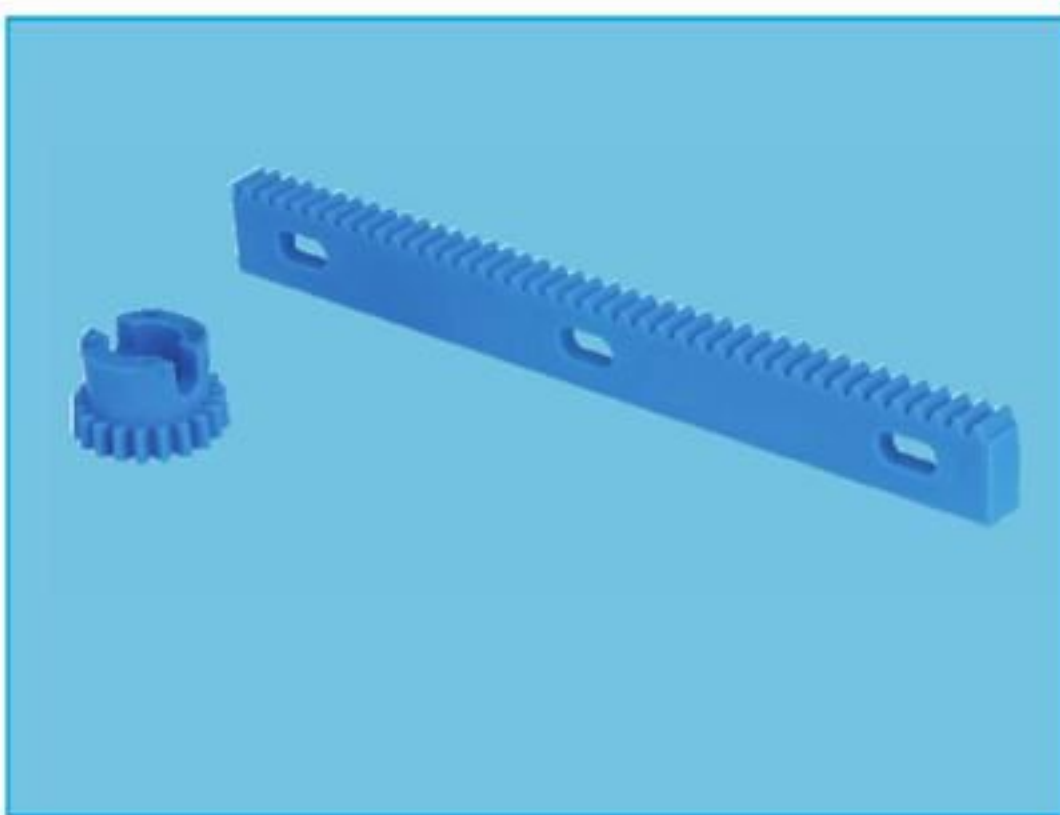
电眼座



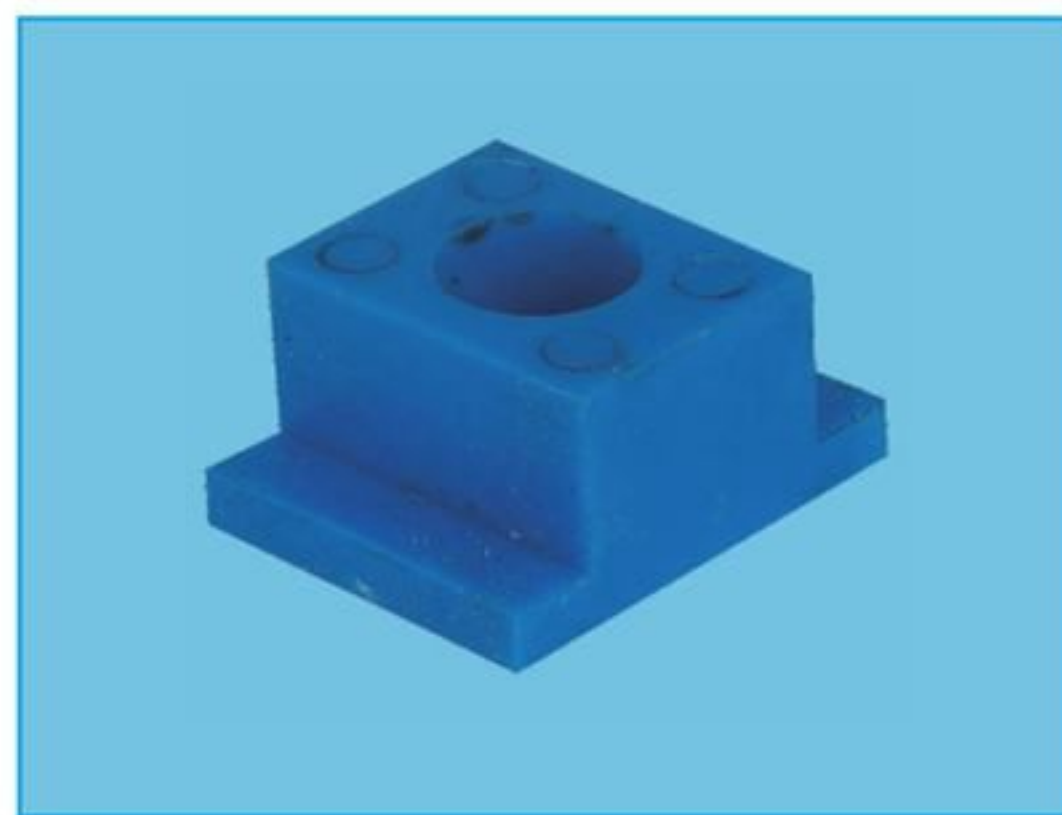
长形压带条



齿轮齿条 $\phi 15 \times 135$



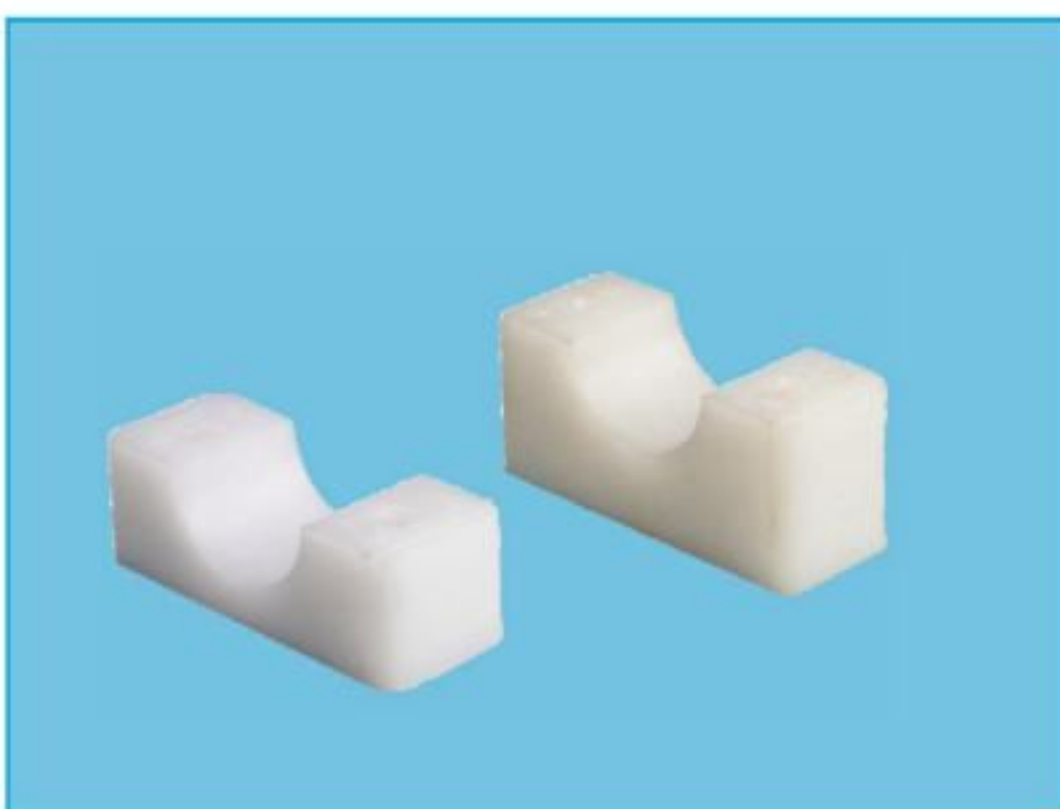
齿轮齿条 $\phi 10 \times 135$



小滑座



偏心轴座



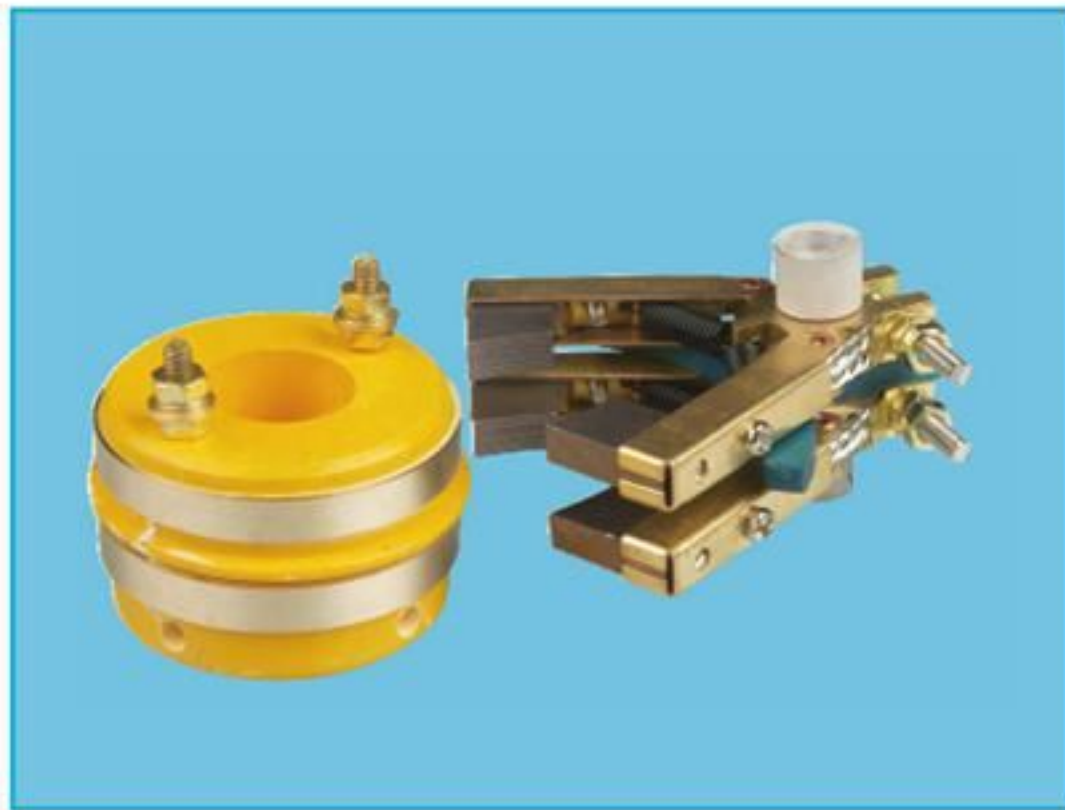
压带条



马蹄脚



调节柱



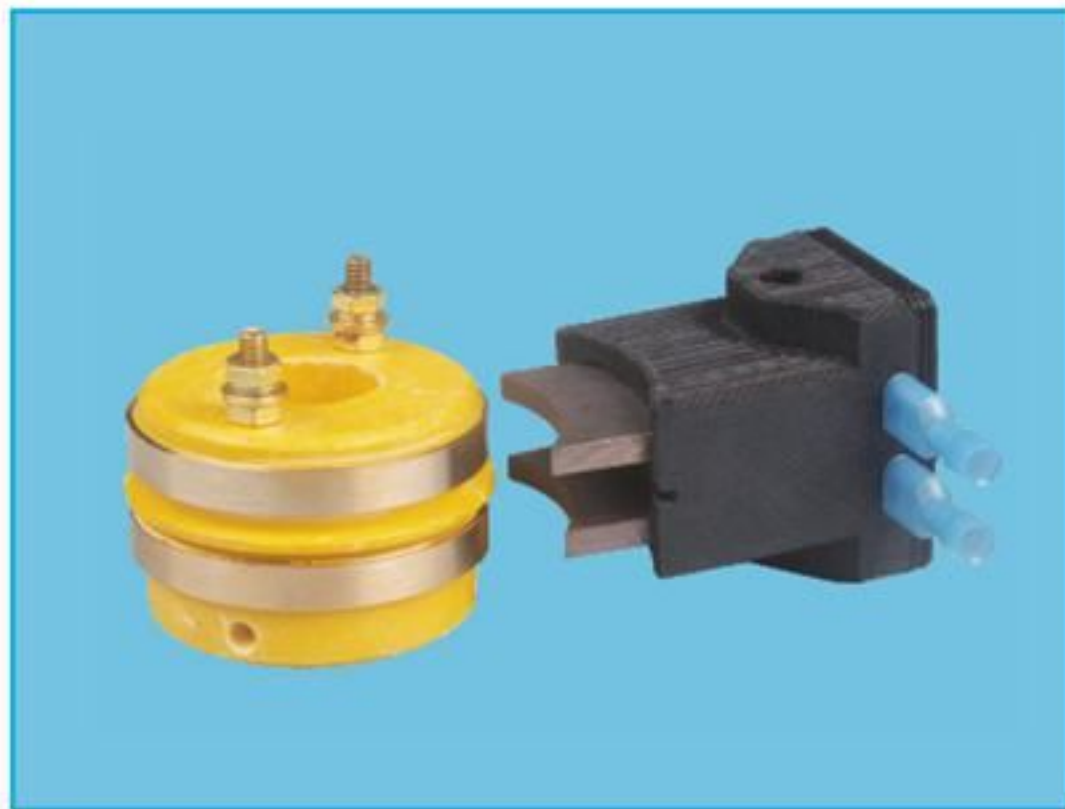
二环导电环铜刷架



四环导电环铜刷架



往复式导电环刷架



新型二环导电环刷架



新型四环导电环刷架



组合型导电环刷架



精密型导电环



整体式导电环



水银滑环



集电环



绝缘杆



绝缘杆

不锈钢推料夹



570412



67050



690401



480522



607223



5mm



710409



220416带焊杆



230427带焊杆



230427



220416



七字型糖果钩

TJR(X)3软铜绞线系列 soft copper wire series



用途说明Application

铜软绞线是输配电用电气装置(如变压器、电炉)及电子电器设备、可控硅元件的软连接线,也可作电工作业接地线之用。

Flexible copper stranded wire is electrical apparatus for power transmission and distribution (such as transformer, electric arc furnace) soft connecting wire and electronic and electrical equipment, thyristor, also can be used for grounding wire for electrical operation.

技术性能Technical performance

1、铜软绞线采用优质圆铜线或镀锡软圆铜线制成。工过程中经韧炼处理,使成品柔软、外表整齐、美观。

2、铜软绞线的直流电阻率(20℃)不大于0.082Ω·mm²/m,镀锡铜软绞线的直流电阻率(20℃)不大于0.0193Ω·mm²/m

3、本产品技术标准符合GB 12970.2-91

1, soft copper wire made of high-quality round copper or tinned round copper wire. During the process the annealing treatment, the finished product is soft, the appearance is tidy and beautiful.

DC resistivity

2, soft copper wire (20 DEG C) of less than 0.082 ohm.Mm²/m, DC resistivity tinned soft copper stranded wire (20 DEG C) of less than 0.0193 ohm.Mm²/m

3, the products conform to the technical standard of GB L 2970.2-91

TZ-15 / TZX-15铜编织线系列 copper braided wire series



用途说明Application

铜编织线用于电气装置,开关电器,电炉及蓄电池等的软连接线。

The braided copper wire for electrical devices, electrical switches, the soft connection line electric and battery etc..

技术性能Technical performance

1、铜编织线采用优质圆铜线(0.10, 0.12, 0.15, 0.20)或镀锡软圆铜线(0.12, 0.15)以多股(13.16.24.36.40.48.64.96锭)经单层或多层编织成。

2、铜编织线的直流电阻率(20℃)不大于0.022~Ω·mm²/m,锡铜编织线的直流电阻率(20℃)不大于0.0234~Ω·mm²/m

3、符合JB / T6313.2-1992标准

4、型号、规格如表

1, copper braided wire quality round copper wire (0.10, 0.12, 0.15, 0.20) or tinned round copper wire (0.12, 0.15) to multiple unit (13.16.24.36.40.48.64.96 ingot) by a monolayer or multilayer woven.

DC resistivity 2, copper braided wire (20 DEG C) not more than 0.022~Ω.Mm²/m, tin copper braided DC resistivity plating line (20 DEG C) not greater than 0.0234~Ω.Mm²/m

3, meet JB / T6313.2-1992 standard

4, models, specifications as shown in table

TS铜电刷线系列TS copper brush wire series



用途说明Application

1、铜电刷线是用于电机、电器及仪表线路上联接用的软连接线

2、铜电刷线的产品标准按(GB 12970 4 91)铜电刷线的型号为: TS-铜电刷线; TSR-铜软电刷线。

3、铜电刷线的规格为: TS型: 0.25 16mm² ' TSR型: 0.063 -6.3mm²。

4、绞合: 铜电刷线最外层的绞向为右向,除18%;TsR型软铜电刷线的伸长率应不小于15%。

6、表明要求:电刷线表面应光洁,不得有毛疵,因软件化处理引起的金黄色或淡红色的表面,仍可作为合格品。

7、TS型电刷线如表NO.1;TSR型电刷线如表NO.2。

1, the copper brush wire is used for soft connection line motor, electrical and instrumentation lines connected with the

2, the copper brush wire products according to the standard (GB 12970491) copper brush wire type: TS- copper brush wire; TSR- soft copper brush wire.

3, the copper brush wire specifications: TS: 0.25 16mm² ' TSR type: 0.063 -6.3mm².

4, twisting: the outer layer of the copper brush wire in the clockwise direction, in addition to 18%; TsR type soft copper brush wire elongation shall be not less than 15%.

6, that require: brush wire surface should be smooth, there shall be no defect, trapped surface software treatment induced golden yellow or pale red, can be used as a qualified product.

7, TS type brush wire as shown in table NO.1; TSR type brush wire as shown in table NO.2.

本公司产品不断更新，恕不一一展示，详情请来电咨询或登录公司网站了解。

Please contact us or visit our website for updating products.



温州亚鼎电气有限公司

Wenzhou Yading Electric Co., Ltd.

地址：浙江省温州市乐清柳市镇上游村中游路57号

Add: No. 57 Zhongyou Road, Shangyou Village, Liushi Town,
Yueqing City, Zhejiang Province, China

公司总机(Tele): 0577-62707770

销售热线(sales hotline): 0577-62707880

传真(Fax): 0577-62707779

网址: [Http://www.asia-d.com](http://www.asia-d.com)

Email: asia1100@163.com


QQ: 53115967 429310565

全国免费咨询热线 400-0660-127



官方微信

感谢选用亚鼎产品。你我同行，我们很荣幸，让我们一起分享成功的喜悦！

公司产品在不断创新，敬请参阅网站。另可根据用户需求量身定制任何配置的产品。  本手册采用生态纸印刷，亚鼎电气版权所有！